

DARKE COUNTY

WAGNER AVENUE INTERIOR RENOVATION

631 WAGNER AVENUE, GREENVILLE, OHIO 45331

ARCHITECT

App Architecture

615 Woodside Drive
Englewood, Ohio 45322
(937) 836-8898

MECHANICAL & ELECTRICAL ENGINEERS

Nauman & Zelinski, LLC

204 South Ludlow Street, Suite 400
Dayton, Ohio 45402
(937) 223-3821

DRAWING INDEX

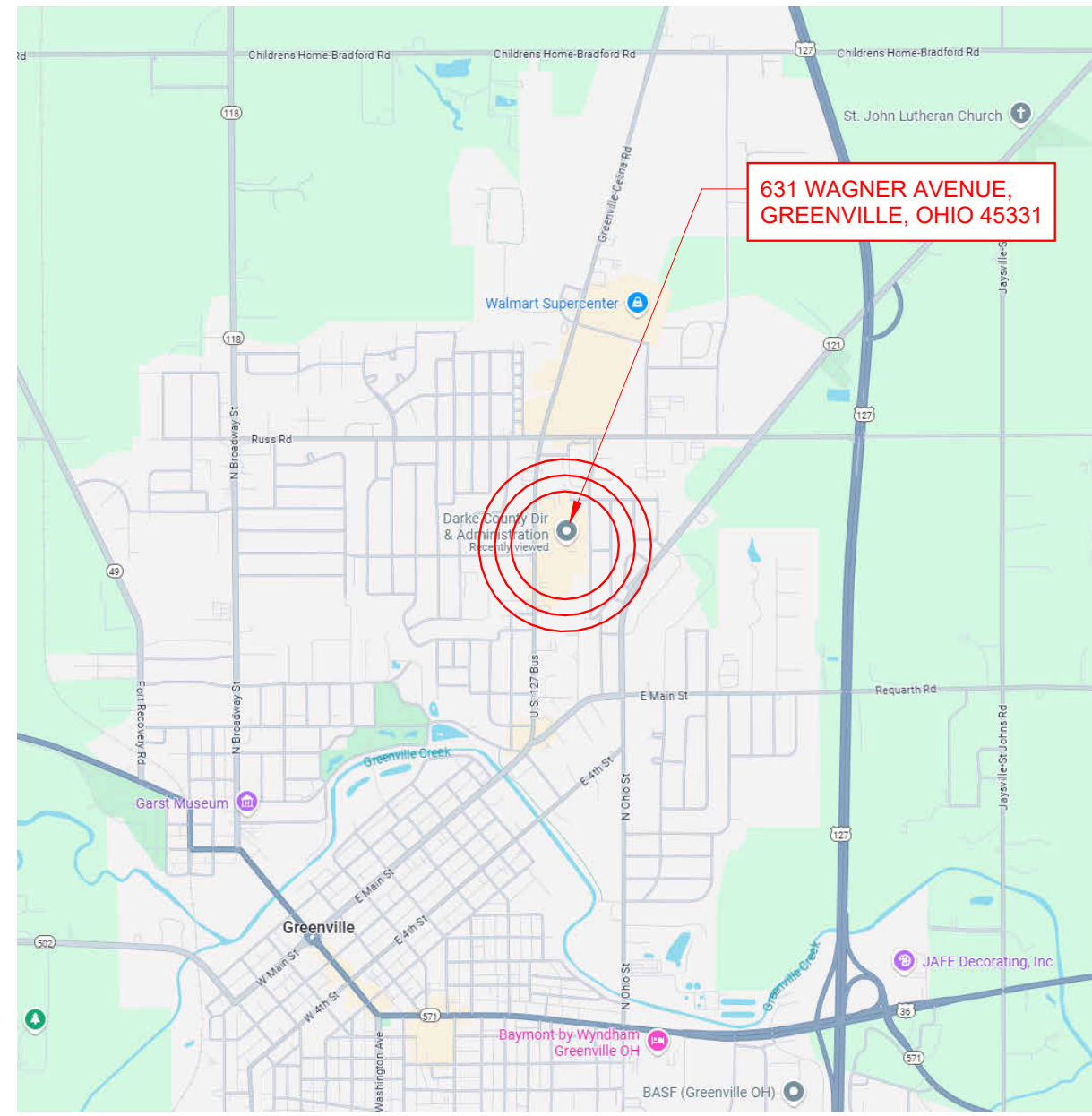
GENERAL	
G0.1	COVER SHEET
G0.2	LIFE SAFETY PLAN & SITE PLAN
ARCHITECTURAL	
A0.1	ABBREVIATIONS AND SYMBOLS
A0.2	ARCHITECTURAL SPECIFICATIONS
A0.3	SCHEDULES AND DETAILS
A1.1	DEMOLITION PLAN - JOB AND FAMILY SERVICES
A1.2	REFERENCE PLAN - JOB AND FAMILY SERVICES
A2.1	DEMOLITION REFLECTED CEILING PLAN - JOB AND FAMILY SERVICES
A2.2	REFLECTED CEILING PLAN - JOB AND FAMILY SERVICES
A7.1	INTERIOR ELEVATIONS
A7.2	INTERIOR ELEVATIONS
A8.1	CASEWORK DETAILS
A8.2	CASEWORK DETAILS
FIRE PROTECTION	
F1.1	LEGEND, SCHEDULES & FLOOR PLAN
MECHANICAL	
H0.1	LEGENDS AND SCHEDULES
H1.1	DEMOLITION PLAN
H2.1	NEW WORK PLAN
H3.1	DETAILS
H4.1	CONTROLS
ELECTRICAL	
E0.1	LEGENDS AND SCHEDULES
E0.2	PANEL SCHEDULES
E1.1	DEMOLITION
E2.1	NEW LIGHTING PLAN
E3.1	NEW POWER PLAN
E4.1	NEW SYSTEMS PLAN

App Architecture
creative focused design
615 Woodside Drive, Englewood, Ohio 45322
T 937.836.8898 F 937.832.3696
www.app-arch.com



DARKE COUNTY
WAGNER AVENUE
INTERIOR RENOVATION
631 WAGNER AVENUE, GREENVILLE, OHIO 45331

VICINITY MAP

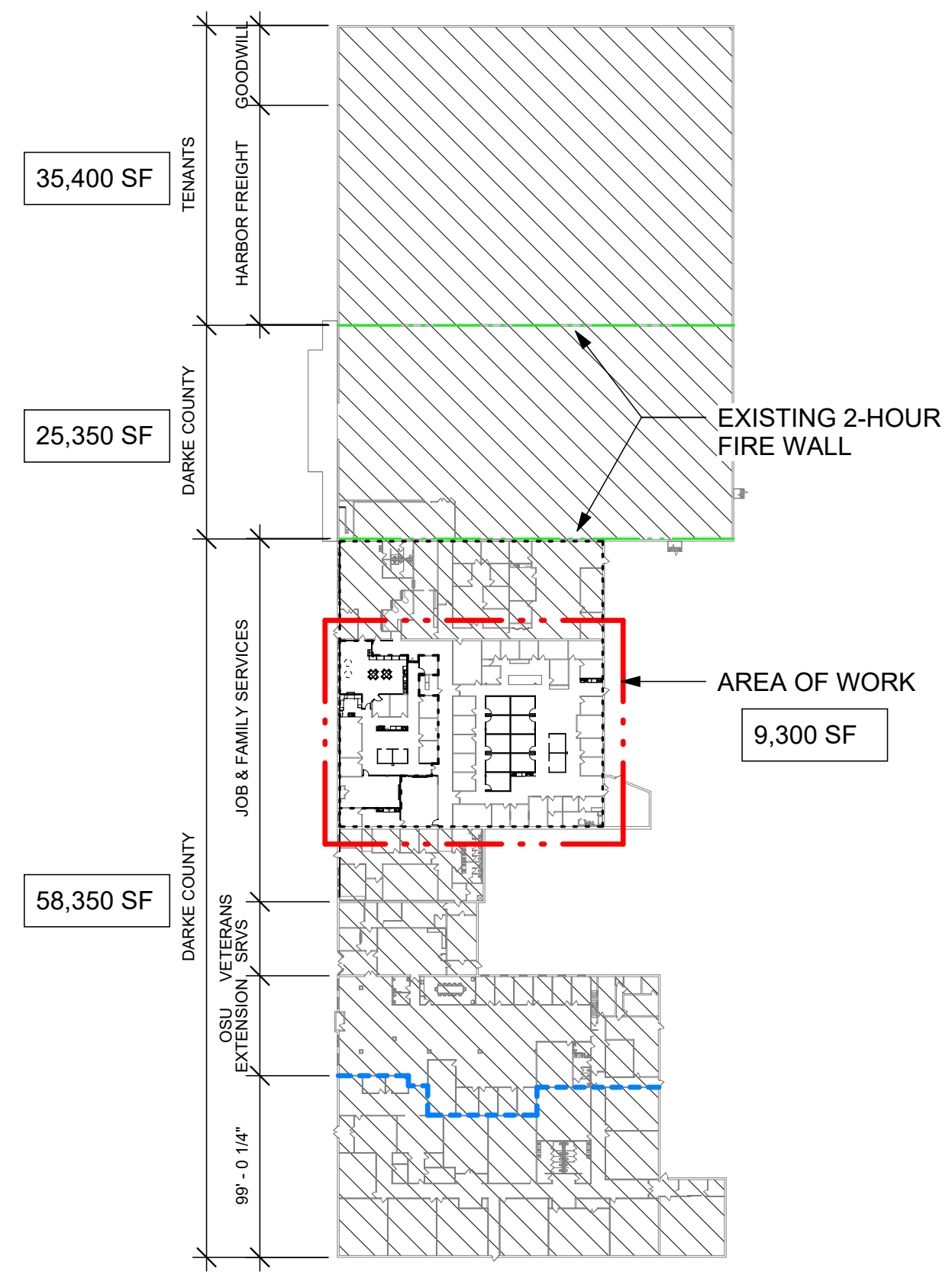


CODE INFORMATION (OBC 2024)

COMPLIANCE METHOD	
OHIO EXISTING BUILDING CODE 2024 SECTION 301.3.1 PRESCRIPTIVE COMPLIANCE METHOD COMPLIANCE WITH OBC SECTIONS 302-309 AND CHAPTER 5, ALTERATIONS TO COMPLY WITH REQUIREMENTS OF THE CODE FOR NEW CONSTRUCTION (OBC 2024)	
PROJECT DESCRIPTION	
PROJECT CONSISTS OF THE INTERIOR RENOVATION (ALTERATION) OF THE ADMINISTRATIVE OFFICES FOR THE DARKE COUNTY DEPARTMENT OF JOB AND FAMILY SERVICES. THE EAST OFFICE AREA IS AN INTERIOR RENOVATION OF 4,350 SF IN THE FAMILY SERVICES DIVISION AND THE WEST OFFICE AREA IS AN INTERIOR RENOVATION OF 4,950 SF FOR THE OHIO MEANS JOBS DIVISION. WORK INCLUDES GENERAL TRADES (PARTITIONS, OPENINGS, CASEWORK, FINISHES) AND REQUIRED REVISIONS TO FIRE PROTECTION SYSTEMS, MECHANICAL AND ELECTRICAL AS REQUIRED FOR THE NEW LAYOUT.	
USE GROUP CLASSIFICATION	
OBC (302) USE GROUP	= B (BUSINESS)
EXISTING:	= (UNCHANGED)
BUILDING GROSS AREA:	= (UNCHANGED)
CONSTRUCTION TYPE CLASSIFICATION	
OBC (602) CONSTRUCTION TYPE	= IIIB

HEIGHT AND AREA LIMITATIONS	
OBC (T: 504.3) HEIGHT:	= 75'-0"
ALLOWABLE:	= 24'-4" +/-
ACTUAL HEIGHT:	=
OBC (T: 504.4) NUMBER OF STORIES:	= 4 STORIES
ALLOWABLE:	= 1 STORIES
ACTUAL:	=
OBC (T: 506.2) AREA:	= 76,000 SF
ALLOWABLE:	= 58,350 SF
ACTUAL:	=
AREA OF RENOVATION:	= 9,300 SF
OCCUPANT LOAD	
OBC (T: 1004.5) OCCUPANT LOAD - (AREA OF RENOVATION)	= 62
ALLOWABLE: B: 9,300 SF / 150	= 62
ACTUAL:	= 62
OBC (T: 1006.2.1) TRAVEL DISTANCE:	= 300'
ALLOWABLE MAXIMUM TRAVEL DISTANCE: B (S)	= 185'
ACTUAL MAXIMUM TRAVEL DISTANCE: B (S)	=
FIRE PROTECTION	
OBC (903) AUTOMATIC SPRINKLER SYSTEM:	FULLY SUPPRESSED
OBC (907) FIRE ALARM	PROVIDED

INTERIOR FINISHES	
OBC (T: 803.13) INTERIOR WALL AND CEILING FINISH REQUIREMENTS:	= CLASS B
EXIT PASSAGeways	= CLASS B
CORRIDORS	= CLASS B
ROOMS	= CLASS B
OBC (804.2) INTERIOR FLOOR FINISH:	= CLASS II
EXIT PASSAGeways	= CLASS II
CORRIDORS	= CLASS II
ROOMS	= CLASS II
PLUMBING FIXTURES	
OBC (T: 2902.1) PLUMBING FIXTURES	
WATER CLOSETS:	= 5 PROVIDED (UNCHANGED)
MEN'S	= 7 PROVIDED (UNCHANGED)
WOMEN'S	= 1 PROVIDED (UNCHANGED)
UNISEX	=
LAVATORIES:	= 8 PROVIDED (UNCHANGED)
DRINKING FOUNTAINS:	= 2 PROVIDED (UNCHANGED)
OTHER CODE PROVISIONS	
OBC (T601) FIRE RESISTANCE RATINGS:	
PRIMARY STRUCTURAL FRAME	= 0 HRS (UNCHANGED)
EXTERIOR BEARING WALLS	= 2 HRS (UNCHANGED)*
INTERIOR BEARING WALLS	= 0 HRS (UNCHANGED)
EXTERIOR NON-LOAD BEARING WALLS	= 0 HRS (UNCHANGED)
INTERIOR NON-LOAD BEARING WALLS	= 0 HRS (UNCHANGED)
FLOOR CONSTRUCTION INCLUDING BEAMS	= 0 HRS (UNCHANGED)
ROOF CONSTRUCTION INCLUDING BEAMS	= 0 HRS (UNCHANGED)
* OBC (T705.5) FIRE SEPARATION DISTANCE:	
EXTERIOR WALLS FIRE SEPARATION DISTANCE = >30'-0"	
X>30 = 0HRS	

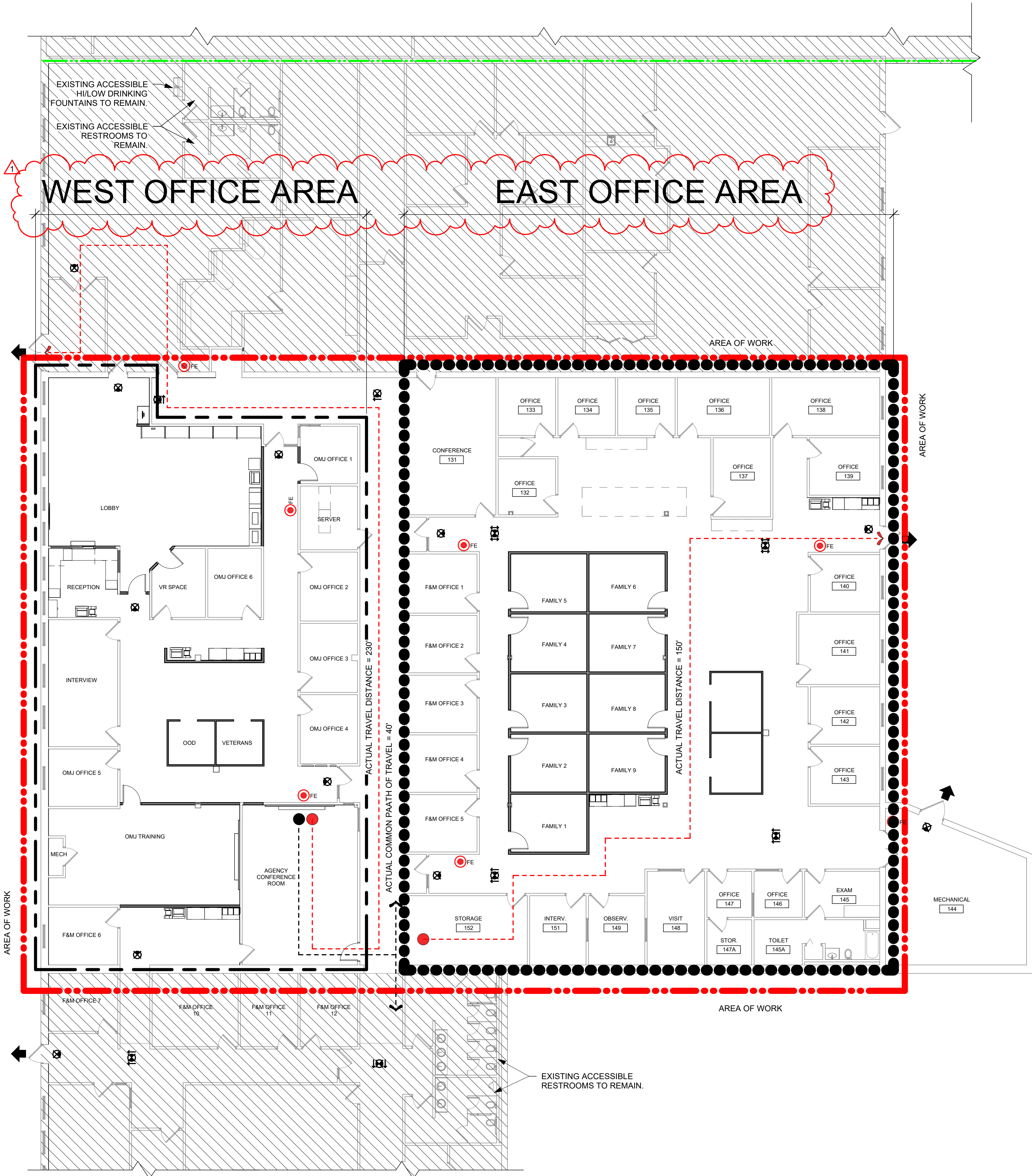


F6 OVERALL BUILDING PLAN
1" = 80'-0"

ISSUE		
NO.	DATE	DESCRIPTION
1	03/27/2025	FOR PERMIT & BID
1	03/31/2025	ADDENDUM 1
DATE: 03/27/2025		
JOB NO.: 3961.05		
DRAWN: MM / CMS		
CHECKED: MS/MLW		
COPYRIGHT © 2025 - App Architecture, Inc.		
TITLE: COVER SHEET		
SHEET NO. GO.1		

1 | 2 | 3 | 4 | 5 | 6 | 7

A
B
C
D
E
F



LEGEND

- NOT IN SCOPE OF WORK
- NO ARCHITECTURAL WORK THIS AREA
- EXISTING ACCESSIBLE DRINKING FOUNTAIN (HI / LOW)
- 2-HOUR RATED, UL-LISTED FIRE PARTITION
- EXIT DISCHARGE
- COMMON PATH OF TRAVEL = X < 100' OBC T 1006.2.1: ALLOWABLE FOR USE-GROUP "B" WITH FULL BUILDING FIRE SUPPRESSION
- MAXIMUM PATH OF TRAVEL = X < 300' OBC T 1017.2: ALLOWABLE FOR USE-GROUP "B" WITH FULL BUILDING FIRE SUPPRESSION
- FE EXISTING WALL MOUNTED FIRE EXTINGUISHER
- EXIT LIGHT SIGN
- EXISTING ADA PARKING TO REMAIN UNCHANGED
- AREA OF WORK

CODE NOTES

- A. EXISTING ACCESSIBLE PARKING SPACES, UNCHANGED BY THIS PROJECT.
- B. EXISTING ACCESSIBLE SIDEWALK CURB CUT AND RAMP, UNCHANGED BY THIS PROJECT.
- C. EXISTING ACCESSIBLE RESTROOMS, UNCHANGED BY THIS PROJECT.
- D. EXISTING ACCESSIBLE DRINKING FOUNTAIN (HI / LOW), UNCHANGED BY THIS PROJECT.

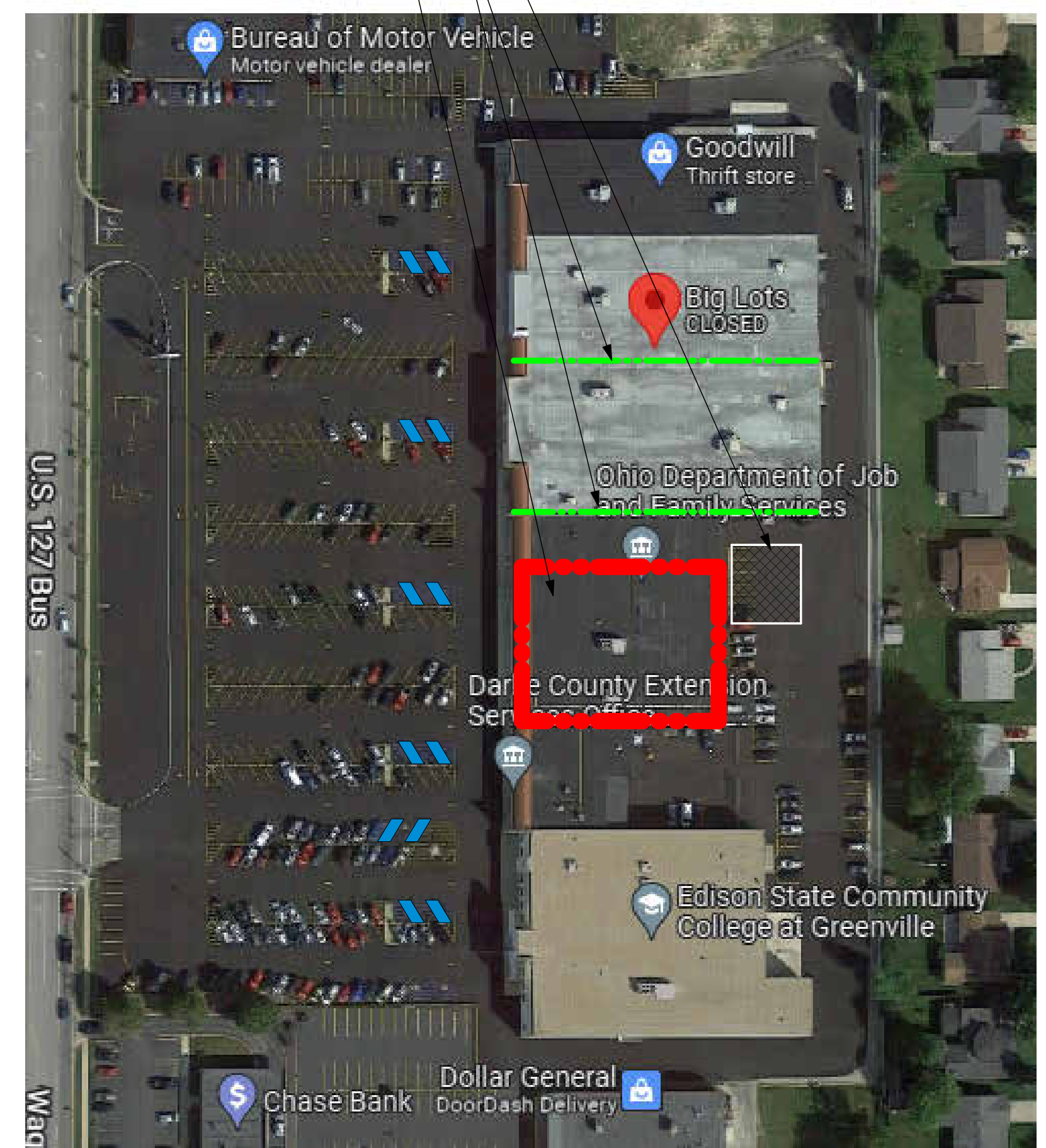
CONTRACTOR NOTES

1. CONTRACTOR STAGING AREA TO BE COORDINATED WITH OWNER. CONTRACTOR RESPONSIBLE TO PROVIDE 3/4" PLYWOOD UNDER DUMPSITER. CONTRACTOR'S OPTION TO PROVIDE CHAIN LINK FENCING WITH GATE AND LOCK.
2. CONTRACTOR PARKING AREA TO BE COORDINATED WITH OWNER.
3. CONTRACTOR TO MAINTAIN PATH OF EGRESS CLEAR OF CONSTRUCTION MATERIALS AND DEBRIS AT ALL TIME. BUILDING WILL BE OPEN TO STAFF AND PUBLIC FOR THE DURATION OF THE PROJECT.
4. CONTRACTOR TO PROVIDE TEMPORARY PARTITION, AT ALL AREAS OF WORK. CAPABLE OF CONTAINING ALL CONSTRUCTION DEBRIS AND DUST PARTICLES FROM OCCUPIED PARTS OF THE BUILDING. PLASTIC PARTITIONS ARE ACCEPTABLE - PROVIDE WITH DOUBLE ZIPPER ACCESS DOOR. CONTRACTOR RESPONSIBLE TO CLEAN AREAS OUTSIDE CONTAINMENT SHOULD CONSTRUCTION DUST AND DEBRIS MIGRATE THERE.
5. OWNER WILL MAINTAIN BUSINESS OPERATIONS DURING DURATION OF CONSTRUCTION. CONSTRUCTION SHALL NOT HINDER BUSINESS OPERATIONS WITHOUT PRIOR CONSENT FROM OWNER.
6. CONTRACTOR SHALL MAINTAIN BUILDING EGRESS AT ALL TIMES DURING CONSTRUCTION. PROVIDE ADDITIONAL AND/OR TEMPORARY SIGNAGE AND EMERGENCY LIGHTING.
7. COORDINATE WITH THE AUTHORITY HAVING JURISDICTION FOR TEMPORARY ADJUSTMENT TO THE MEANS OF EGRESS.
8. CONTRACTOR SHALL PROVIDE DUSTPROOF SAFETY BARRIER CAPABLE OF CONTAINING CONSTRUCTION DEBRIS AND DUST AT AREAS OF WORK THAT ARE OPEN TO THE EXISTING BUILDING.

CONTRACTOR'S STAGING AREA,
DUMSTER, PORT-O-LET,
STORAGE AND PARKING

EXISTING 2-HOUR FIREWALL

AREA OF WORK



F6 SITE PLAN
NOT TO SCALE

APP Architecture
creative focused design

615 Woodside Drive, Englewood, Ohio 45322
T 937.836.8898 F 937.832.3696
www.app-arch.com



DARKE COUNTY
WAGNER AVENUE
INTERIOR RENOVATION

631 WAGNER AVENUE, GREENVILLE, OHIO 45331

ISSUE	
NO.	DESCRIPTION
1	03/27/2025 FOR PERMIT & BID 03/31/2025 ADDENDUM 1

DATE	03/27/2025
JOB NO.	3961.05
DRAWN	MM / CMS
CHECKED	MS/MLW
COPYRIGHT © 2025 - App Architecture, Inc.	
TITLE LIFE SAFETY PLAN & SITE PLAN	

SHEET NO.
GO.2

F1 LIFE SAFETY PLAN
3/32" = 1'-0"

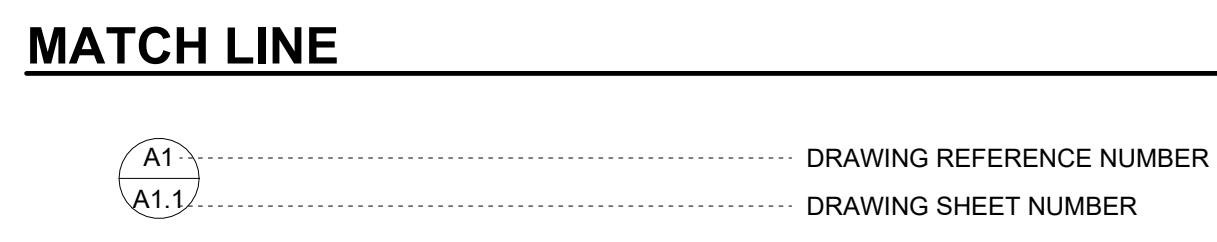
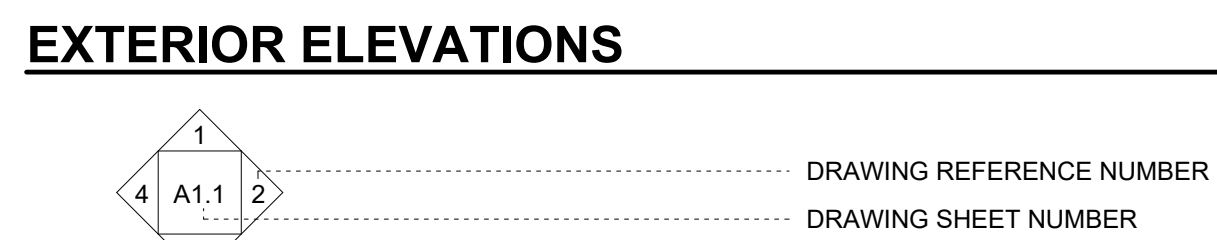
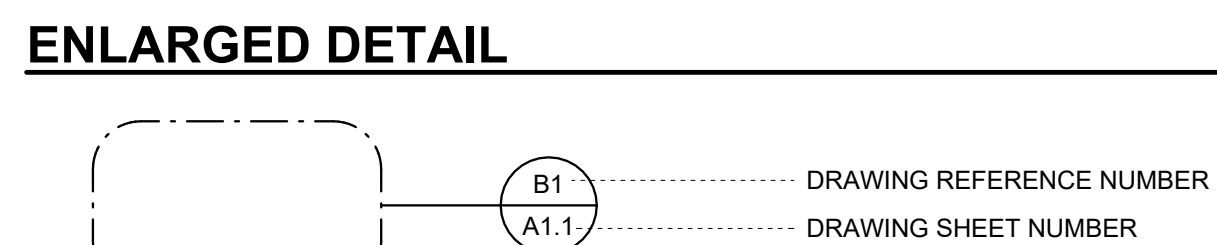
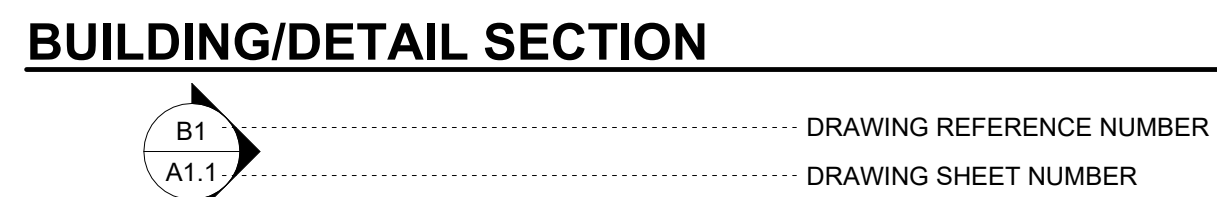
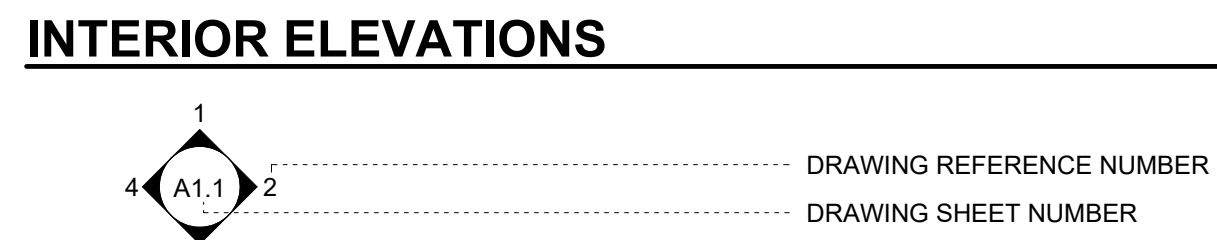
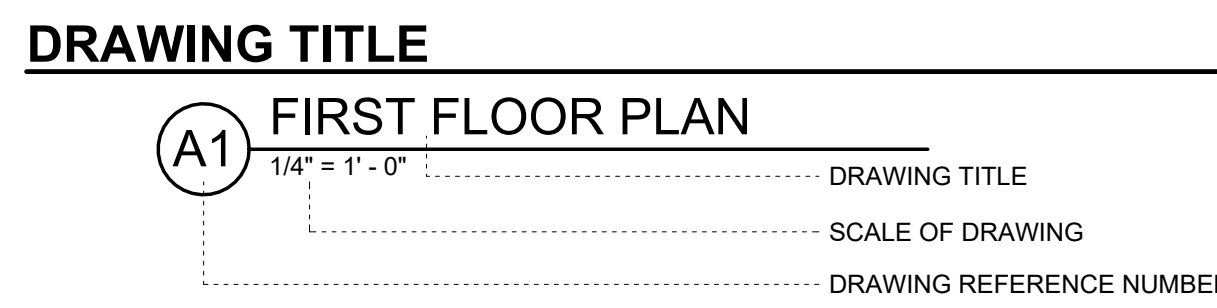
3/31/2025 6:33:16 PM

ABBREVIATIONS

SYMBOL		G
@ & L Ø €	AT AND DIAMETER CENTER LINE PLATE	GA GALV GC GENERAL CONTRACTOR GD GRADE OR GRADING GEN GENERAL GL GLASS OR GLAZING GND GROUND GYP GYPSUM GWB GYPSUM BOARD GLAZED WALL TILE
ABV A/C AFH AHU AL ALT ANDD ANCH APPROX ARCH ATTEN AUTO AVG	ABOVE AIR CONDITIONING ABOVE FINISHED FLOOR AIR HANDLER UNIT ALUMINUM ALTERNATE ANODIZED ANCHOR APPROXIMATELY ARCHITECT OR ARCHITECTURAL ATTENUATED AUTOMATIC AVERAGE	HB HDW HM HORIZ HT HWAC HWD
BLDG BLK BLDG BOT BRG BSMT	BUILDING BLOCK BLOCKING BOTTOM BEARING BASEMENT	ID IN INCL INT INV
CAB CB C/C CF CFCI CFOI CGI CJ CLG CL CLR CMU CO COLM CONC CONST CONT CPU CY	CABINET CATCH BASIN CENTER TO CENTER CUBIC FOOT CONTRACTOR FURNISH, CONTRACTOR INSTALL CONTRACTOR FURNISH, OWNER INSTALL CORNER GUARD CONTROL JOINT CEILING CLOSURE CLEAR CONCRETE MASONRY UNIT CLEAN OUT COLUMN CONCRETE CONSTRUCTION CONTINUOUS OR CONTINUE CENTRAL PROCESSING UNIT (COMPUTER) CUBIC YARD	JB JUNCTION BOX JC JANITOR CLOSET
DBL DEMO DF DIA DIM DISP DIV DS DWG DTL	DOUBLE DEMOLISH DEMOLITION DRINKING FOUNTAIN DIAMETER DIMENSION DISPENSER DIVISION DOWNSPOUT DRAWING DETAIL	L LAV LBS LH LLH LLV LTL LVR
EA EC EFS EJ ELEC ELEV EMERG EQ EQUIP EWC EXIST OR EX EXT	EACH ELECTRICAL CONTRACTOR EXTERIOR INSULATION AND FINISH SYSTEM EXPANSION JOINT ELECTRIC OR ELECTRICAL ELEVATOR EMERGENCY EQUAL EQUIPMENT ELECTRIC WATER COOLER EXISTING EXPANSION EXTERIOR	M MAS MAT MAX MC MECH MFR MH ML MM MIN MO MTD MTL
FD FE FEC FF FIN FLR FND FRIT FT FTG FUR FV FOW	FLOOR DRAIN FIRE EXTINGUISHER FIRE EXTINGUISHER CABINET FINISH FLOOR FINISH OR FINISHED FLOOR FOUNDATION FIRE RETARDANT TREATED WOOD FOOT OR FEET OR FULLY TEMPERED FOOTING FURNISH FIELD VERIFY FACE OF WALL	N NC NIC NO NOM NRC NTS
		O
		OD OFCI OFVI OH OHD OPNG OPP O ₂
		P
		PAR PC PCF PL PLBG PLWD PME PNL PR PSF PSI PVC

QTY	QUANTITY	R
R RA RB RD RECEPT REF REINF REQD RET REV RH RM RO ROW	RADIUS RETURN AIR RUBBER BASE ROOF DRAIN RECEPTACLE REFERENCE REINFORCE REQUIRED RETURN REVISION RIGHT HAND ROOM ROUGH OPENING RIGHT OF WAY	S SAN SB SCHED SEAL SECT SF SG SH SHT SHTG SIM SPEC SPK SQ ST STL STD STL STR SUSP SV SYS
SAN SB SCHED SEAL SECT SF SG SH SHT SHTG SIM SPEC SPK SQ ST STL STD STL STR SUSP SV SYS	SOUTH SANITARY SINK BASE SCHEDULE SEALANT SECTION SQUARE FEET SAFETY GLASS SPRINKLER HEAD OR SHOWER HEAD SHEET SHEATHING SIMILAR SPECIFICATION(S) SPEAKER SQUARE STREET SOUND TRANSMISSION CLASSIFICATION STANDARD STEEL STRUCTURAL SUSPENDED SHEET VINYL SYSTEM	T & G TB TAB TEL TOS TOC TOM TOW TRANS TV TYP
UC UH UL UNO	UNDER CABINET OR COUNTER UNIT HEATER UNDERWRITERS LABORATORY UNLESS NOTED OTHERWISE	V VB VCT VERT VS
		W
W W/O WC WD WND WP WPT WT WWF	WIDE OR WEST OR WOMEN WITH WITHOUT WATER CLOSET OR WALL CABINET WOOD WINDOW WORK POINT WOOD PRESERVATIVE TREATMENT WEIGHT WELDED WIRE FABRIC	

REFERENCE SYMBOLS

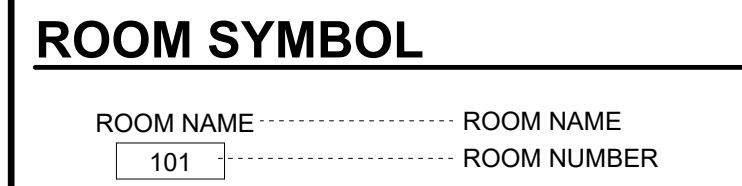
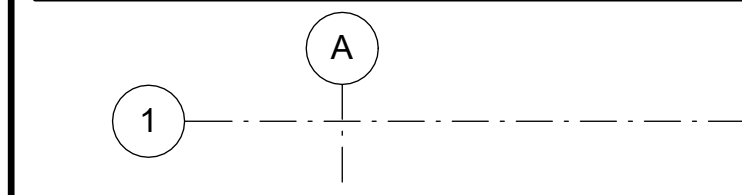


MATERIAL SYMBOLS IN SECTION

	EARTH		LOOSE OR BATT INSULATION		BRICK
	GRANULAR FILL		RIGID INSULATION		SOLID SURFACE
	CONCRETE		STEEL		GYPSUM / PLASTER
	CMU BLOCK		PLYWOOD		WOOD, FINISHED
	BLOCKING / SHIM		WOOD, DIMENSIONAL		

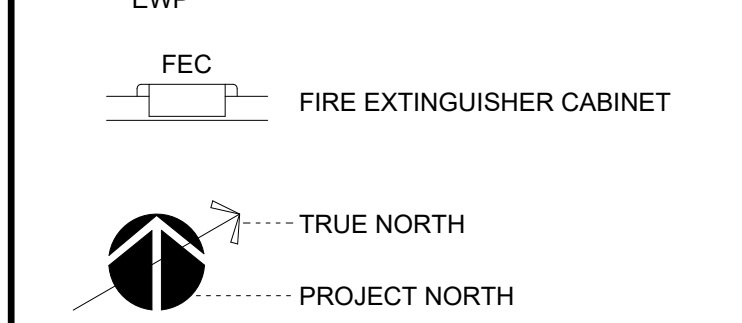
DRAWING SYMBOLS

COLUMN CENTER LINES

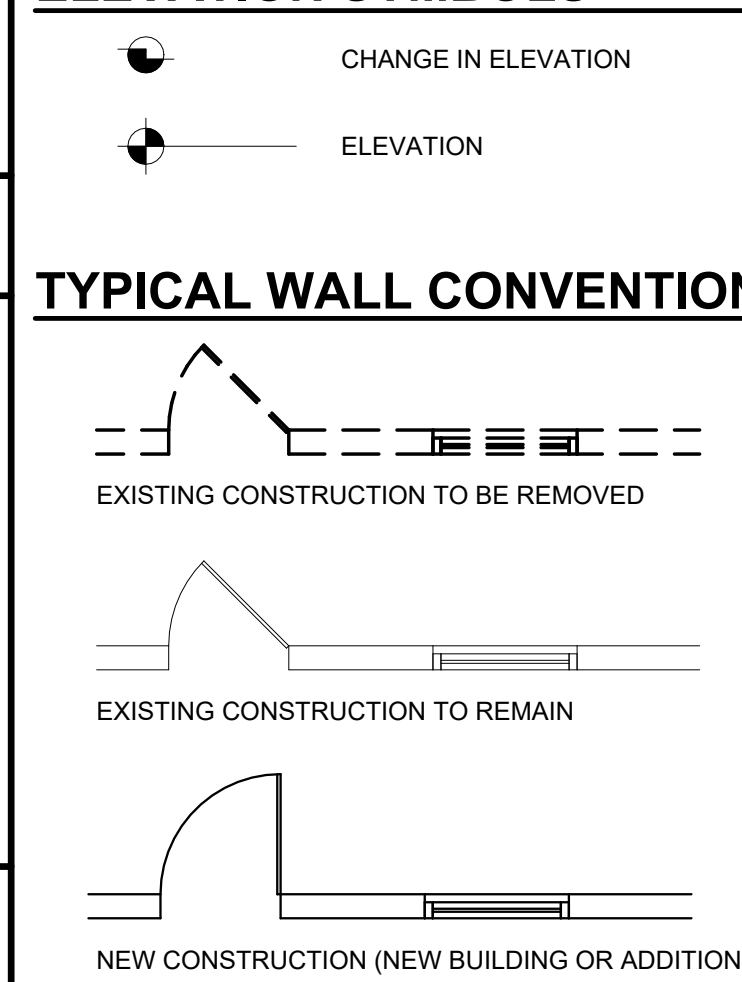


PLAN SYMBOLS

	CONSTRUCTION NOTES		DEMOLITION NOTES
	ACCESSORIES (LETTERS)		DOOR NUMBER SYMBOL
	WINDOW SYMBOL		WALL TYPE
	REVISION / CHANGE		CORNER GUARD
	END WALL PROTECTOR		FIRE EXTINGUISHER CABINET



TYPICAL WALL CONVENTIONS



REFLECTED CEILING SYMBOLS

	SURFACE MOUNTED LIGHT FIXTURES
	RECESSED LIGHT FIXTURES
	CALL LIGHT
	EXIT LIGHT
	SUPPLY DIFFUSER
	RETURN
	SMOKE DETECTOR
	SPEAKER
	SPRINKLER HEAD
	CURTAIN OR IV TRACK
	CEILING HEIGHT

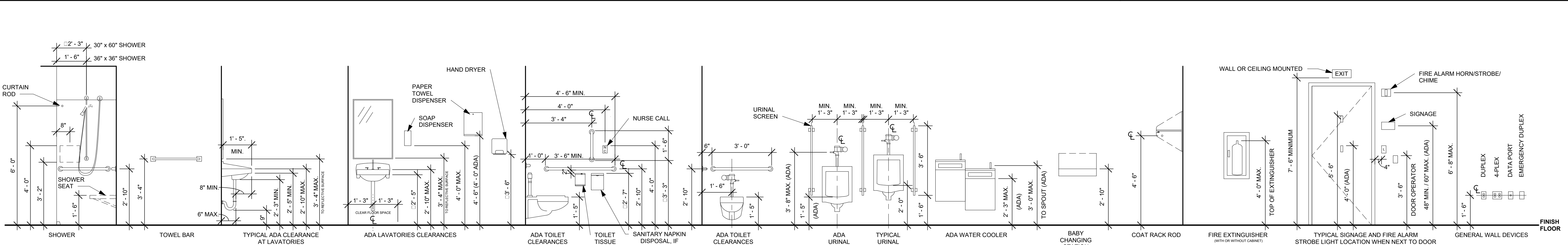
INTERIOR ELEVATION SYMBOLS

	DUPLEX RECEPTACLE
	TELE/DATA OUTLET
	LIGHT SWITCH
	DUPLEX RECEPTACLE (EMERGENCY POWER)
	NURSE CALL BUTTON
	CODE BLUE BUTTON
	MEDICAL GAS OUTLET
	TEMPERED GLASS
	SPANDREL GLASS

FIRE BARRIER LEGEND

	SMOKE RESISTIVE
	1 HR. FIRE BARRIER
	1 HR. FIRE/SMOKE BARRIER
	2 HR. FIRE BARRIER
	2 HR. FIRE/SMOKE BARRIER
	3 HR. FIRE BARRIER

ALL SYMBOLS OR ABBREVIATIONS MIGHT NOT NECESSARILY BE USED ON THIS PROJECT.
ADDITIONAL SYMBOLS OR ABBREVIATIONS MAY APPEAR ON SUBSEQUENT SHEETS.



MOUNTING & CLEARANCE STANDARDS N.T.S.

(FOLLOW THESE UNLESS NOTED OTHERWISE)

NO.	DATE	DESCRIPTION
	03/27/2025	FOR PERMIT & BID

DATE	03/27/2025
JOB NO.	3961.05
DRAWN	MM / CMS
CHECKED	MS/MLW

TITLE
ABBREVIATIONS AND SYMBOLS

SHEET NO.
A0.1

ARCHITECTURAL TECHNICAL SPECIFICATIONS

FOR DIVISIONS 00, 01 & 02 REFER TO PROJECT MANUAL

DIVISION 03 - CONCRETE

SECTION 03 0130 - RESURFACING AND REHABILITATION OF CONCRETE

- CONCRETE WORK SHALL BE ACCOMPLISHED IN ACCORDANCE WITH THE LATEST "AMERICAN CONCRETE INSTITUTE" RECOMMENDATIONS.
- PRODUCTS:
 - MAPEI CORPORATION; 1144 EAST NEWPORT CENTER DRIVE, DEERFIELD BEACH, FL 33442. ASD, TEL: (561) 246-8888 OR (800) 42-MAPEI. FAX: (561) 246-8800. HYPERLINK "HTTP://WWW.MAPEI.COM/WWW.MAPEI.COM"
 - INTERIOR FLOORS
FOR PATCHING: USE TRAFFIC SURFACE REPAIR MORTAR, INTERIOR REPAIR MORTAR, OR INTERIOR REPAIR MORTAR COMPATIBLE WITH NEW FLOOR COVERING MANUFACTURER'S PRODUCT RECOMMENDATIONS AS REQUIRED IN FLOOR AREAS TYPES IMMEDIATELY NOTED ABOVE.
 - BONDING NEW CONCRETE TO OLD CONCRETE: USE EPOXY ADHESIVE.
- INTERIOR MATERIALS:
 - SELF-LEVELING THIN TOPPING UNDERLAYMENT: PRE-BLENDED CEMENTITIOUS, FOR THICKNESSES FROM FEATHER EDGE TO 1/2 INCH.
 - ACCEPTABLE PRODUCT: MAPEI NOVOPLAN 5, FAST SETTING, FOR OVER CURED CONCRETE.
 - PRIMER: AS RECOMMENDED BY TOPPING MANUFACTURER.
 - INTERIOR REPAIR MORTAR: PRE-BLENDED CEMENTITIOUS PATCHING MORTAR FOR CONCRETE.
 - ACCEPTABLE PRODUCT: MAPEI PLANITOP 22, TWO-COMPONENT, FAST-SETTING, POLYMER-MODIFIED, SYNTHETIC FIBER REINFORCED, FOR VERTICAL AND HORIZONTAL SURFACES, 1/8 INCH TO 1-5/8 INCHES PER COAT.
 - ACCEPTABLE PRODUCT: MAPEI QUICKCEM TOP 101; ONE-COMPONENT, FAST-SETTING, NON-SHRINKING, SELF-CURING, FOR HORIZONTAL SURFACES, FEATHER EDGE TO 1 INCH PER COAT.
 - ACCEPTABLE PRODUCT: MAPEI PLANITOP 10; ONE-COMPONENT, FAST-SETTING; FOR FLOOR SURFACES, FEATHER EDGE TO 1/4 INCH THICK.
 - ACCEPTABLE PRODUCT: PORTLAND CEMENT, SAND, AND MAPEI PLANICRETE AC OR SB MIX; FOR MINIMUM 3/8 INCH THICKNESS.
 - PRIMER: AS RECOMMENDED BY TOPPING MANUFACTURER.
- DO NOT BEGIN INSTALLATION UNTIL SUBSTRATES HAVE BEEN PROPERLY PREPARED.
 - CLEAN SURFACES THOROUGHLY PRIOR TO INSTALLATION.
 - PREPARE SURFACES USING THE METHODS RECOMMENDED BY THE MANUFACTURER FOR ACHIEVING THE BEST RESULT FOR THE SUBSTRATE UNDER THE PROJECT CONDITIONS.

DIVISION 05 - METALS

SECTION 054000 - COLD-FORMED METAL FRAMING

- COLD-FORMED METAL FRAMING GENERAL: COMPLY WITH AISI'S "NORTH AMERICAN SPECIFICATION FOR THE DESIGN OF COLD-FORMED STEEL STRUCTURAL MEMBERS" AND ITS STANDARD FOR COLD-FORMED STEEL FRAMING - GENERAL PROVISIONS. ENGINEERING IS RESPONSIBILITY OF QUALIFIED PROFESSIONAL ENGINEER.
- LOAD-BEARING WALL FRAMING:
 - STEEL STUDS: C-SHAPED, MINIMUM (0.0538") THICKNESS, (1-5/8") FLANGE WIDTH.
 - STEEL TRACK: U-SHAPED, MINIMUM (0.0538") THICKNESS, (1-1/4") FLANGE WIDTH.
 - STEEL BOX OR BACK-TO-BACK HEADERS: C-SHAPES, MINIMUM (0.0538") THICKNESS, (1-5/8") FLANGE WIDTH.
- NON-LOAD-BEARING WALL FRAMING:
 - STEEL STUDS: C-SHAPED, MINIMUM (0.0538") THICKNESS, (1-5/8") FLANGE WIDTH.
 - STEEL TRACK: U-SHAPED, MINIMUM (0.0538") THICKNESS, (1-1/4") FLANGE WIDTH.
- FRAMING ACCESSORIES: ANCHORS, CLIPS, AND BOLTS.
 - STEEL SHAPES AND CLIPS: ASTM A 36.
 - ANCHOR BOLTS: ASTM F1554.
 - EXPANSION ANCHORS: ASTM E 488.
 - MECHANICAL FASTENERS: ASTM C 1513.
 - WELDING ELECTRODES: AWS STANDARDS.
- FABRICATE COLD-FORMED METAL FRAMING AND ACCESSORIES PLUMB, SQUARE, AND TRUE TO LINE, AND WITH CONNECTIONS SECURELY FASTENED, ACCORDING TO REFERENCED AISI'S SPECIFICATIONS AND STANDARDS.

DIVISION 06 - WOOD, PLASTICS, AND COMPOSITES

SECTION 061000 - ROUGH CARPENTRY

- LUMBER REQUIREMENTS AND TREATMENTS:
 - FIRE-RETARDANT-TREATED MATERIALS (WFT): AWPA C20 FOR LUMBER; AWPA C27 FOR PLYWOOD.
 - USED FOR IN-WALL BLOCKING.
 - FASTENERS: SIZE AND TYPE APPROPRIATE TO BOTH UNIT AND SUBSTRATE. PROVIDE METAL FRAMING ANCHORS FOR CONNECTIONS IN LOAD-BEARING FRAMING.

SECTION 061600 - SHEATHING

- WALL PANEL PRODUCTS REQUIREMENTS AND TREATMENTS:
 - FIRE-RETARDANT-TREATED PLYWOOD (WFT): AWPA C27.
- WALL SHEATHING:
 - PAPER-SURFACED GYPSUM: ASTM C 79 OR ASTM C 1396, TYPE X, 5/8".
- INSTALLATION: WITH MINIMUM NUMBER OF JOINTS, FITTING TIGHTLY AGAINST OTHER CONSTRUCTION, AND SECURELY ATTACHED TO SUBSTRATE BY POWER-DRIVEN FASTENERS.
 - GYPSUM SHEATHING: GA-253.

SECTION 06 4116 - PLASTIC-LAMINATE-FACED ARCHITECTURAL CABINETS

- ACTION SUBMITTALS
 - PRODUCT DATA: FOR EACH TYPE OF PRODUCT, INCLUDING: PANEL PRODUCTS, HIGH-PRESSURE DECORATIVE LAMINATE, ADHESIVE FOR BONDING PLASTIC LAMINATE, CABINET HARDWARE AND ACCESSORIES.
 - SHOW DETAILS FULL SIZE.
 - SHOW LOCATIONS AND SIZES OF FURRING, BLOCKING, AND HANGING STRIPS, INCLUDING CONCEALED BLOCKING AND REINFORCEMENT SPECIFIED IN OTHER SECTIONS.
 - SHOW LOCATIONS AND SIZES OF CUTOUTS AND HOLES FOR AND OTHER ITEMS INSTALLED IN ARCHITECTURAL PLASTIC-LAMINATE CABINETS.
 - APPLY AWW QUALITY CERTIFICATION PROGRAM LABEL TO SHOP DRAWINGS.
 - SAMPLES FOR VERIFICATION:
 - WOOD-GRAIN PLASTIC LAMINATES, 8 X 10 INCHES, FOR EACH TYPE, PATTERN AND SURFACE FINISH.
- INFORMATIONAL SUBMITTALS
 - QUALIFICATION DATA: FOR FABRICATOR.
- QUALITY ASSURANCE
 - FABRICATOR QUALIFICATIONS: SHOP THAT EMPLOY'S SKILLED WORKERS WHO CUSTOM FABRICATE PRODUCTS SIMILAR TO THOSE REQUIRED FOR THIS PROJECT AND WHOSE PRODUCTS HAVE A RECORD OF SUCCESSFUL IN-SERVICE PERFORMANCE. SHOP IS CAPABLE OF COMPLYING AWW'S QUALITY CERTIFICATION PROGRAM STANDARDS.
- INSTALLER QUALIFICATIONS: INSTALLER IS CAPABLE OF COMPLYING AWW'S QUALITY CERTIFICATION PROGRAM STANDARDS.
- FIELD CONDITIONS
 - ENVIRONMENTAL LIMITATIONS: DO NOT DELIVER OR INSTALL CABINETS UNTIL BUILDING IS ENCLOSED, WET WORK IS COMPLETE, AND HVAC SYSTEM IS OPERATING AND MAINTAINING TEMPERATURE BETWEEN 60 AND 90 DEG F (16 AND 32 DEG C) AND RELATIVE HUMIDITY BETWEEN 25 AND 55 PERCENT DURING THE REMAINDER OF THE CONSTRUCTION PERIOD.
 - FIELD MEASUREMENTS: WHERE CABINETS ARE INDICATED TO FIT TO OTHER CONSTRUCTION, VERIFY DIMENSIONS OF OTHER CONSTRUCTION BY FIELD MEASUREMENTS BEFORE FABRICATION, AND INDICATE MEASUREMENTS ON SHOP DRAWINGS. COORDINATE FABRICATION SCHEDULE WITH CONSTRUCTION PROGRESS TO AVOID DELAYING THE WORK.
 - LOCATE CONCEALED FRAMING, BLOCKING, AND REINFORCEMENTS THAT SUPPORT CABINETS BY FIELD MEASUREMENTS BEFORE BEING ENCLOSED, AND INDICATE MEASUREMENTS ON SHOP DRAWINGS.
 - ESTABLISHED DIMENSIONS: WHERE CABINETS ARE INDICATED TO FIT TO OTHER CONSTRUCTION, ESTABLISH DIMENSIONS FOR AREAS WHERE CABINETS ARE TO FIT. PROVIDE ALLOWANCE FOR TRIMMING AT SITE AND COORDINATE CONSTRUCTION TO ENSURE THAT ACTUAL DIMENSIONS CORRESPOND TO ESTABLISHED DIMENSIONS.
- COORDINATION
 - COORDINATE SIZES AND LOCATIONS OF FRAMING, BLOCKING, FURRING, REINFORCEMENTS, AND OTHER RELATED UNITS OF WORK SPECIFIED IN OTHER SECTIONS TO ENSURE THAT CABINETS CAN BE SUPPORTED AND INSTALLED AS INDICATED.

7. PRODUCTS - PLASTIC-LAMINATE-FACED ARCHITECTURAL CABINETS

- QUALITY STANDARD: UNLESS OTHERWISE INDICATED, COMPLY WITH THE "ARCHITECTURAL WOODWORK STANDARDS" FOR GRADES OF ARCHITECTURAL PLASTIC-LAMINATE CABINETS INDICATED FOR CONSTRUCTION, FINISHES, INSTALLATION, AND OTHER REQUIREMENTS.
 - PROVIDE LABELS AND CERTIFICATES FROM AWW CERTIFICATION PROGRAM INDICATING THAT WOODWORKING AND FINISHING COMPLIES WITH REQUIREMENTS OF GRADES SPECIFIED.
 - GRADE: PREMIUM.
 - TYPE OF CONSTRUCTION: FRAMELESS.
 - CABINET, DOOR, AND DRAWER FRONT INTERFACE STYLE: FLUSH OVERLAY.
 - HIGH-PRESSURE DECORATIVE LAMINATE: NEMA LD 3, GRADES AS INDICATED OR IF NOT INDICATED, AS REQUIRED BY WOODWORK QUALITY STANDARD.
 - MANUFACTURERS: SUBJECT TO COMPLIANCE WITH REQUIREMENTS. PROVIDE PRODUCTS AS INDICATED ON THE MATERIAL LEGEND ON THE DRAWINGS.
 - LAMINATE CLADDING FOR EXPOSED SURFACES:
 - HORIZONTAL SURFACES: GRADE HGS.
 - VERTICAL SURFACES: GRADE VGS.
 - EDGES: PVC T-MOLD MATCHING LAMINATE IN COLOR, PATTERN, AND FINISH.
 - PATTERN DIRECTION: VERTICALLY FOR DRAWER FRONTS, DOORS, AND FIXED PANELS.
 - MATERIALS: PROVIDE SURFACES WITH:
 - SURFACES OTHER THAN DRAWER BODIES: HIGH-PRESSURE DECORATIVE LAMINATE, NEMA LD 3, GRADE VGS.
 - EDGES OF PLASTIC-LAMINATE SHELVES: PVC EDGE BANDINGS, 0.12 INCH (3 MM) THICK, MATCHING LAMINATE IN COLOR, PATTERN, AND FINISH.
 - FOR SEMIEXPOSED BACKS OF PANELS WITH EXPOSED PLASTIC-LAMINATE SURFACES: HIGH-PRESSURE DECORATIVE LAMINATE, NEMA LD 3, GRADE VGS.
 - DRAWER SIDES AND BACKS: SOLID-HARDWOOD LUMBER.
 - DRAWER BOTTOMS: HARDWOOD PLYWOOD.
 - DUST PANELS: 1/4-INCH (6.4-MM) PLYWOOD OR TEMPERED HARDBOARD ABOVE COMPARTMENTS AND DRAWERS UNLESS LOCATED DIRECTLY UNDER TOPS.
 - CONCEALED BACKS OF PANELS WITH EXPOSED PLASTIC-LAMINATE SURFACES: HIGH-PRESSURE DECORATIVE LAMINATE, NEMA LD 3, GRADE BKL.
 - DRAWER CONSTRUCTION: FABRICATE WITH EXPOSED FRONTS FASTENED TO SUBFRONT WITH MOUNTING SCREWS FROM INTERIOR OF BODY.
 - JOIN SUBFRONT BACKS, AND SIDES WITH GLUED RABBETED JOINTS SUPPLEMENTED BY MECHANICAL FASTENERS OR GLUED DOVETAILED JOINTS.
 - COLORS, PATTERNS, AND FINISHES: PROVIDE MATERIALS AND FINISHES THAT RESULT IN COLORS AND TEXTURES OF EXPOSED LAMINATE SURFACES COMPLYING WITH THE FOLLOWING REQUIREMENTS:
 - MATCH ARCHITECT'S SAMPLE.
- PLASTIC-LAMINATE COUNTERTOPS: (PREMIUM) GRADE WITH (HQP) LAMINATE GRADE, MEDIUM-DENSITY FIBERBOARD CORE (EXTERIOR GRADE PLYWOOD AT SINKS), AND PLASTIC-LAMINATE BACKER SHEET
- MATCHING PVC BANDING ALONG EXPOSED EDGES OF COUNTER.

- WOOD MATERIALS
 - WOOD PRODUCTS: PROVIDE MATERIALS THAT COMPLY WITH REQUIREMENTS OF REFERENCED QUALITY STANDARD FOR EACH TYPE OF WOODWORK AND QUALITY GRADE SPECIFIED UNLESS OTHERWISE INDICATED.
 - WOOD MOISTURE CONTENT: 5 TO 10 PERCENT.
 - COMPOSITE WOOD AND AGGREGATE PRODUCTS: PROVIDE MATERIALS THAT COMPLY WITH REQUIREMENTS OF REFERENCED QUALITY STANDARD FOR EACH TYPE OF WOODWORK AND QUALITY GRADE SPECIFIED UNLESS OTHERWISE INDICATED.
 - MEDIUM-DENSITY FIBERBOARD: ANSI A208.2, MD.
 - PARTICLEBOARD: ANSI A208.1, GRADE M-2.
 - SOFTWOOD PLYWOOD: DOC PS 1, MEDIUM-DENSITY OVERLAY.
 - VENEER-FACED PANEL PRODUCTS (HARDWOOD PLYWOOD): HPVA HP-1.
- CABINET HARDWARE AND ACCESSORIES
 - GENERAL: PROVIDE CABINET HARDWARE AND ACCESSORY MATERIALS ASSOCIATED WITH ARCHITECTURAL CABINETS EXCEPT FOR ITEMS SPECIFIED IN SECTION 08 7111 "DOOR HARDWARE (DESCRIPTIVE SPECIFICATION)."
 - FRAMELESS CONCEALED HINGES (EUROPEAN TYPE): BHMA A156.9, B04071; 170 DEGREES OF OPENING, SELF-CLOSING.
 - WIRE PULLS: BACK MOUNTED, SOLID METAL, 4 INCHES (100 MM) LONG, 5/16 INCH (8 MM) IN DIAMETER.
 - ADJUSTABLE SHELF STANDARDS AND SUPPORTS: BHMA A156.9, B04071; WITH SHELF RESTS, B04081.
 - SHELF RESTS: BHMA A156.9, B04013 METAL, TWO PIN TYPE WITH HOLD DOWN CLIP.
 - DRAWER SLIDES: BHMA A156.9.
 - GRADE 1HD-100 AND GRADE 1HD-200; SIDE MOUNTED, FULL-OVER TRAVEL-EXTENSION TYPE; ZINC-PLATED-STEEL BALL-BEARING SLIDES.
 - FOR DRAWERS NOT MORE THAN 3 INCHES (75 MM) HIGH AND NOT MORE THAN 24 INCHES (600 MM) WIDE, PROVIDE GRADE 1.
 - FOR DRAWERS MORE THAN 3 INCHES (75 MM) HIGH BUT NOT MORE THAN 6 INCHES (150 MM) HIGH AND NOT MORE THAN 24 INCHES (600 MM) WIDE, PROVIDE GRADE 1HD-100.
 - FOR DRAWERS MORE THAN 6 INCHES (150 MM) HIGH OR MORE THAN 24 INCHES (600 MM) WIDE, PROVIDE GRADE 1HD-200.
 - FOR COMPUTER KEYBOARD SHELVES, PROVIDE GRADE 1HD-100.
 - DOOR AND DRAWER SILENCERS: BHMA A156.16, L03011.
 - COUNTERTOP SUPPORTS: STEEL COUNTERTOP SUPPORTS FOR WORKSTATIONS OR OTHER UNSUPPORTED SECTIONS OF COUNTERTOP.
 - PRODUCT: ASM HARDWARE, WORKSTATION BRACKETS OR EQUAL.
 - MATERIAL: 1/8" STEEL.
 - PERFORMANCE: SUPPORT UP TO 1000 LB LOAD LIMIT.
 - SIZE/CONFIGURATION: AS REQUIRED FOR EACH APPLICATION AND AS INDICATED ON THE DRAWINGS.
 - FINISH: POWDERCOAT. (COLOR: OFFWHITE)

- EXPOSED HARDWARE FINISHES: FOR EXPOSED HARDWARE, PROVIDE FINISH THAT COMPLIES WITH BHMA A156.18 FOR BHMA FINISH NUMBER INDICATED.
 - SATIN CHROMIUM PLATED: BHMA 626 FOR BRASS OR BRONZE BASE; BHMA 652 FOR STEEL BASE.
 - FOR CONCEALED HARDWARE, PROVIDE MANUFACTURER'S STANDARD FINISH THAT COMPLIES WITH PRODUCT CLASS REQUIREMENTS IN BHMA A156.9.

EXECUTION

- FABRICATION
 - FABRICATE CABINETS TO DIMENSIONS, PROFILES, AND DETAILS INDICATED.
 - COMPLETE FABRICATION, INCLUDING ASSEMBLY AND HARDWARE APPLICATION, TO MAXIMUM EXTENT POSSIBLE BEFORE SHIPMENT TO PROJECT SITE. DISASSEMBLE COMPONENTS ONLY AS NECESSARY FOR SHIPMENT AND INSTALLATION, WHERE NECESSARY FOR FITTING AT SITE, PROVIDE AMPLE ALLOWANCE FOR SCRIBING, TRIMMING, AND FITTING.
 - SHOP-CUT OPENINGS TO MAXIMUM EXTENT POSSIBLE TO RECEIVE HARDWARE, APPLIANCES, ELECTRICAL WORK, AND SIMILAR ITEMS. LOCATE OPENINGS ACCURATELY AND USE TEMPLATES OR ROUGHING-IN DIAGRAMS TO PRODUCE ACCURATELY SIZED AND SHAPED OPENINGS. SAND EDGES OF CUTOUTS TO REMOVE SPLINTERS AND BURRS.
- INSTALLATION PREPARATION
 - BEFORE INSTALLATION, CONDITION CABINETS TO AVERAGE PREVAILING HUMIDITY CONDITIONS IN INSTALLATION AREAS.
 - BEFORE INSTALLING CABINETS, EXAMINE SHOP-FABRICATED WORK FOR COMPLETION AND COMPLETE WORK AS REQUIRED.
- INSTALLATION
 - GRADE: INSTALL CABINETS TO COMPLY WITH SAME GRADE AS ITEM TO BE INSTALLED.
 - ASSEMBLE CABINETS AND COMPLETE FABRICATION AT PROJECT SITE TO THE EXTENT THAT IT WAS NOT COMPLETED IN THE SHOP.
 - INSTALL CABINETS LEVEL, PLUMB, TRUE, AND STRAIGHT. SHIM AS REQUIRED WITH CONCEALED SHIMS, INSTALL LEVEL AND PLUMB TO A TOLERANCE OF 1/8 INCH IN 96 INCHES (3 MM IN 2400 MM).
 - DRAWER AND CUT CABINETS TO FIT ADJOINING WORK, REFINISH CUT SURFACES, AND REPAIR DAMAGED FINISH AT CUTS.
 - ANCHOR CABINETS TO ANCHORS OR BLOCKING BUILT IN OR DIRECTLY ATTACHED TO SUBSTRATES. SECURE WITH COUNTERSUNK, CONCEALED FASTENERS AND BLIND NAILING. USE FINE FINISHING NAILS OR FINISHING SCREWS FOR EXPOSED FASTENING. COUNTERSUNK AND FILLED FLUSH WITH WOODWORK.
 - USE FILLER MATCHING FINISH OF ITEMS BEING INSTALLED.
 - CABINETS: INSTALL WITHOUT DISTORTION SO DOORS AND DRAWERS FIT OPENINGS PROPERLY AND ARE ACCURATELY ALIGNED. ADJUST HARDWARE TO CENTER DOORS AND DRAWERS IN OPENINGS AND TO PROVIDE UNENCUMBERED OPERATION. COMPLETE INSTALLATION OF HARDWARE AND ACCESSORY ITEMS AS INDICATED.
 - INSTALL CABINETS WITH NO MORE THAN 1/8 INCH IN 96-INCH (3 MM IN 2400-MM) SAG, BOW, OR OTHER VARIATION FROM A STRAIGHT LINE.
 - FASTEN WALL CABINETS THROUGH BACK NEAR TOP AND BOTTOM, AND AT ENDS NOT MORE THAN 16 INCHES (400 MM) O.C. WITH NO. 10 WAFFER-HEAD SHEET METAL SCREWS THROUGH METAL BACKING OR METAL FRAMING BEHIND WALL FINISH.
- ADJUSTING AND CLEANING
 - REPAIR DAMAGED AND DEFECTIVE CABINETS, WHERE POSSIBLE, TO ELIMINATE FUNCTIONAL AND VISUAL DEFECTS; WHERE NOT POSSIBLE TO REPAIR, REPLACE WOODWORK. ADJUST JOINERY FOR UNIFORM APPEARANCE.
 - CLEAN, LUBRICATE, AND ADJUST HARDWARE.
 - CLEAN CABINETS ON EXPOSED AND SEMIEXPOSED SURFACES.

DIVISION 07 - THERMAL AND MOISTURE PROTECTION

SECTION 07 9200 - JOINT SEALANTS

- MAINTAIN WATERTIGHT AND AIRTIGHT CONTINUOUS SEALS WITHOUT STAINING OR DETERIORATING ADJOINING SUBSTRATES.
- MATERIALS: COMPATIBLE WITH ONE ANOTHER AND WITH SUBSTRATES UNDER CONDITIONS OF SERVICE AND APPLICATIONS AS FOLLOWS:
 - INTERIOR LATEX SEALANT: ASTM C 834, TYPE OP, GRADE NF (BOSTIC CHEM-CALK 600, PECORA AC-20+, SONNEBORN SONOLAC, OR TREMCO TREMFLEX 834).
 - INTERIOR ACOUSTICAL JOINT SEALANT: ANISS9, PAINTABLE, NONSTAINING LATEX SEALANT, ASTM 834 (PECORA AC-20 FTR ACOUSTICAL AND INSULATION SEALANT AND USG SHEETROCK ACOUSTICAL SEALANT).
 - JOINT SEALANT BACKING: CYLINDRICAL, ASTM C 1330, TYPE C AND POLYETHYLENE BOND-BREAKER TAPE.
 - MISCELLANEOUS: PRIMER, CLEANERS, AND MASKING TAPE.
- INSTALLATION: EXAMINE JOINTS AND PREPARE BY CLEANING, PRIMING WHERE RECOMMENDED, AND MASKING ADJOINING SURFACES. COMPLY WITH MANUFACTURER'S WRITTEN INSTALLATION INSTRUCTIONS AND ASTM C 1193. INSTALL BACKING AND BOND-BREAKERS AND PLACE SEALANTS SO THEY DIRECTLY CONTACT AND FULLY WET SUBSTRATES. TOOL TO PRODUCE SMOOTH, UNIFORM CROSS-SECTIONAL SHAPES AND DEPTHS.

DIVISION 08 - OPENINGS

SECTION 081113 - HOLLOW METAL DOORS AND FRAMES

- DOORS (STANDARD): FABRICATE WITH SMOOTH SURFACES, WITHOUT VISIBLE JOINTS OR SEAMS ON EXPOSED FACES. COMPLY WITH ANSI A250.8 AND SDI 108 RECOMMENDATIONS WITH LUSH PANEL DESIGN, AND MANUFACTURER'S STANDARD CORE (MINERAL CORE FOR FIRE DOORS AND INSULATION FOR THERMAL-RATED DOORS). FACTORY PRIME, ANSI A250.10 FOR FIELD PAINTING.
 - INTERIOR DOORS: LEVEL 2 AND PHYSICAL PERFORMANCE LEVEL (B) (HEAVY DUTY), MODEL 2 SEAMLESS.
 - HARDWARE REINFORCEMENT: ANSISDI A250.6.
 - BORROWED LIGHT FRAMES: 0.042 (14 GAUGE) THICK STEEL SHEET.
 - STOPS AND MOLDINGS FOR GLAZED LITES: 0.032" (20 GAUGE) THICK.
 - HARDWARE REINFORCEMENT: ANSISDI A250.6.
 - JAMB AND FLOOR ANCHORS: 0.042" (18 GAUGE) THICK, ADJUSTABLE WHERE NECESSARY.
- HARDWARE PREPARATION: FACTORY PREPARE TO RECEIVE TEMPLATED MORTISED HARDWARE INCLUDING CUTOUTS, REINFORCEMENT, DRILLING TAPPING.
- INSTALL DOORS AND FRAMES PLUMB, RIGID, PROPERLY ALIGNED, AND SECURELY FASTENED.
 - FRAMES: COMPLY WITH SDI A250.11. BRACE SECURELY UNTIL PERMANENT ANCHORS ARE SET.
 - DOORS: FIT ACCURATELY IN FRAMES, WITHIN SPECIFIED CLEARANCES: 1/8" +/- 1/16" AT JAMBS, HEAD, AND BETWEEN DOORS; 3/8" MAXIMUM BETWEEN DOOR AND FINISH FLOOR. SHIM AS NECESSARY (INSTALL FIRE-RATED DOORS WITH CLEARANCES ACCORDING TO NFPA 80.)
 - GLAZING: SECURE STOPS WITH COUNTERSUNK MACHINE SCREWS AT 9" O.C. AND 2" FROM CORNERS.

SECTION 08 1416 - FLUSH WOOD DOORS

- DOORS (GENERAL): COMPLY WITH AWW "ARCHITECTURAL WOODWORK QUALITY STANDARD".
 - MANUFACTURERS:
 - VT INDUSTRIES
 - MARSHFIELD (MASONITE CO.)
 - OSHKOSH
 - WARRANTY PERIOD: LIFE OF INSTALLATION.
 - PARTICLEBOARD CORE DOORS, ANSI A208.1, GRADE LD-2 OR M-2 WITH WOOD BLOCKING.
 - CONSTRUCTION: 5 OR 7 PLYS; FACES BONDED TO CORE.
 - FABRICATION: MACHINE FOR HARDWARE (FACTORY FITTED).
- DOORS FOR TRANSPARENT FINISH:
 - GRADE: PREMIUM, WITH GRADE AA FACE.
 - SPECIES AND CUT: RED OAK, PLAIN SLICED
 - EXPOSED EDGES: SAME SPECIES AS FACES.
 - FACTORY TRANSPARENT FINISH: PREMIUM GRADE, AWW TR4 CONVERSION VARNISH FINISH SYSTEM, SATIN SHEEN, AND (STAINED TO MATCH EXISTING).
- INSTALLATION: IN ACCORDANCE WITH MANUFACTURER'S WRITTEN INSTRUCTIONS AND THE REFERENCED QUALITY STANDARD. INSTALL FIRE-RATED DOORS PER NFPA 80. ALIGN AND FIT IN FRAMES WITH UNIFORM CLEARANCES OF 1/8" (1/4" T THRESHOLDS). SEAL CUT SURFACES OF JOB-FITTED DOORS. REHANG OR REPLACE DOORS THAT DO NOT SWING OR OPERATE FREELY. REPLACE DAMAGED FINISHED DOORS.

SECTION 08 7100 - DOOR HARDWARE

- REFER TO THE ACCOMPANYING PROJECT MANUAL

SECTION 08 8000 - GLAZING

- GLASS PRODUCTS:
 - ANNEALED FLOAT GLASS: ASTM C 1036, TYPE I, QUALITY Q3, CLASS I.
 - HEAT-TREATED (FULLY TEMPERED) FLOAT GLASS: ASTM C 1048, TYPE I, QUALITY-Q3, CLASS I, KIND FT.
 - GLAZING GASKETS: NEOPRENE, ASTM C 864.
 - GLAZING SEALANTS: NEUTRAL-CURING SILICONE, CLASS 50, TYPE S, GRADE NS (DOW 791 OR PEGORA 868).
 - GLAZING TAPES: PREFORMED, BUTYL-BASED ELASTOMERIC, ASTM C 1281 AND AAMA 800.
 - ACCESSORIES: PRIMERS, SEALERS, SETTING BLOCKS, SPACERS, AND EDGE BLOCKS.
- INSTALLATION: COMPLY WITH COMBINED WRITTEN INSTRUCTIONS OF MANUFACTURERS OF GLASS, SEALANTS, GASKETS, AND OTHER GLAZING MATERIALS. PROVIDE NECESSARY BITE, MINIMUM EDGE AND FACE CLEARANCES. ADEQUATE SEALANT THICKNESS, AND REASONABLE TOLERANCES. INSTALL SETTING BLOCKS AND PROVIDE PRIMERS, SPACERS, AND EDGE BLOCKS WHERE REQUIRED. SET GLASS UNITS BY TAPE GLAZING.

DIVISION 09 - FINISHES

SECTION 09 2216 - NON-STRUCTURAL METAL FRAMING

- FRAMING MEMBERS, GENERAL: COMPLY WITH ASTM C 754 FOR CONDITIONS INDICATED.
 - STEEL SHEET COMPONENTS: ASTM C 645.
 - PROTECTIVE COATING: ASTM A 653/A 653M G40, HOT-DIP GALVANIZED.
- SUSPENSION SYSTEM COMPONENTS:
 - TIE WIRE: ASTM A 641/A, CLASS 1, ZINC COATING, 0.0625".
 - WIRE HANGERS: ASTM A 641/A, CLASS 1, ZINC COATING, 0.162".
 - CARRYING CHANNELS: COLD-ROLLED, STEEL SHEET, 0.0538" WITH MINIMUM 1/2" FLANGES.
- STEEL FRAMING FOR FRAMED ASSEMBLIES:
 - STEEL STUDS AND RUNNERS: ASTM C 645, (0.0312, 20 GAUGE), (3-5/8") DEPTH.
- INSTALLATION STANDARD: ASTM C 754 AND (ASTM C 840 FOR GYPSUM BOARD ASSEMBLIES). INSTALL FRAMING AND BLOCKING TO SUPPORT FIXTURES, EQUIPMENT SERVICES, GRAB BARS, TOILET ACCESSORIES, OR SIMILAR CONSTRUCTION. INSTALL STUDS AT 16" O.C.

SECTION 09 2900 - GYPSUM BOARD

- INTERIOR GYPSUM BOARD: ASTM A 36.
 - TYPICAL CONDITIONS: (5/8" TYPE X).
 - CEILING: (1/2" CEILING TYPE).
- AUXILIARY MATERIALS:
 - JOINT TREATMENT: JOINT TAPE AND COMPOUND FOR APPROPRIATE MATERIALS & APPLICATION.
 - PROVIDE SURFACES: CONTROL JOINTS, CORNER BEADS, BULLNOSE BEADS, AND EDGE BEADS.
 - FASTENERS: STEEL DRILL SCREWS, ASTM C 100 (LAMINATING ADHESIVE FOR DIRECT ADHESION).
 - SOUND ATTENUATION BLANKETS: (2) ASTM C 665, TYPE 1.
- APPLICATION AND FINISH: COMPLY WITH ASTM C 840 (SINGLE-LAYER) APPLICATION WITH EDGE AND END JOINTS OVER SUPPORTS AND VERTICAL JOINTS STAGGERED ON OPPOSITE SIDES OF PARTITIONS. ATTACH TRIM ACCORDING TO MANUFACTURER'S WRITTEN INSTRUCTIONS. FINISH BOARD IN CONCEALED AREAS TO LEVEL 1 AND TO LEVEL 4 IN EXPOSED AREAS.

SECTION 09 5113 - ACOUSTICAL PANEL CEILINGS

- ACOUSTICAL PANELS: CLASS A, (WET-FORMED MINERAL FIBER) COMPLYING WITH ASTM E 1284 CLASSIFICATIONS FOR TYPES, PATTERNS, ACOUSTICAL RATINGS AND LIGHT REFLECTANCE.
 - ACOUSTICAL PANEL 24" X 24" X 3/4".
 - REFER TO MATERIAL LEGEND FOR MANUFACTURER AND MODEL.
- METAL SUSPENSION SYSTEM: WIDE-FACE, CAPPED, DOUBLE-WEB, STEEL, INTERMEDIATE-DUTY, WITH PAINTED WHITE ALUMINUM CAP AND COMPLYING WITH ASTM A 653. (MANUFACTURERS: ARMSTRONG, CHICAGO METALLIC, AND USG.)
- METAL EDGE MOLDINGS AND TRIM: ROLL-FORMED SHEET-METAL, OF SAME MATERIAL, FINISH, AND COLOR AS GRID.
- INSTALL TO COMPLY WITH ASTM C 636, PER MANUFACTURER'S WRITTEN INSTRUCTIONS, AND CISCA'S "CEILING SYSTEM HANDBOOK". SUPPORT LIGHT FIXTURES AT FOUR CORNERS WITH WIRE HANGERS.

SECTION 09 5220 - ACOUSTICAL WALL PANELS

- ACOUSTICAL PANELS
 - BASIS OF DESIGN: KOROSEAL SOUND DESIGNS.
 - BACK MOUNTED, EDGE REINFORCED WITH FABRIC WRAP. PROVIDE IN 54 INCH WIDTHS WITH A CLASS A FIRE RATING.
 - BASIS OF DESIGN: KOROSEAL SOUND DESIGNS.
 - EDGES: WRAP FABRIC AROUND EDGES AND SECURE TO BACK OF PANEL.
 - COLORS AND PATTERNS: FROM MANUFACTURER'S FULL RANGE OF STANDARD FABRICS.
 - CORE MATERIAL: FIBERGLASS (1" THICK - 6PCF LB DENSITY).
 - EDGE DETAIL: QUARTER BEVEL.
 - NRC RATING: 0.70 - 0.80
 - FIRE RATING: CLASS A.
 - SIZE: AS INDICATED ON DRAWINGS.

SECTION 09 6513 - RESILIENT WALL BASE AND ACCESSORIES

- RESILIENT WALL BASE: ASTM F 1861, TYPE (TS), GROUP (I), (COVERED) STYLE, (4") HIGH X 1/8" THICK, WITH (PRE-FORMED OUTSIDE CORNERS). (MANUFACTURER/COLOR: ROPPE CHARCOAL GRAY.)
- RESILIENT ACCESSORIES:
 - CARPET TO CARPET JOINER: (ROPPE #159 TILE CARPET JOINER).
- PREPARE AND INSTALL COMPLYING WITH MANUFACTURER'S WRITTEN INSTRUCTIONS TO ENSURE ADHESION.

SECTION 096813 - TILE CARPETING

- CARPET TILE (24" X 24"):
 - MANUFACTURER'S STYLE/COLOR: (ALLADIN, SURFACE STITCH SEAL).
 - PERFORMANCE: PASSES DOC-FF-70 PILL TEST, MEETS NFPA CLASS 1 WHEN TESTED UNDER ASTM E-648 GLUE DOWN, AND NES SMOKE CHAMBER NFPA-258 LESS THAN 450 FLAMING MODE.
- PREPARE AND LAY COMPLYING WITH MANUFACTURER'S WRITTEN INSTRUCTIONS AND CSI 104, SECTIONS 6.2 AND 14, "CARPET MODULES".
 - PREPARE CONCRETE SUBSTRATES ACCORDING TO ASTM F 100. USE TROWELABLE LEVELING AND PATCHING COMPOUND TO FILL CRACKS, HOLES, AND DEPRESSIONS TO TRANSITION SMALL CHANGES IN ELEVATION OF SUBSTRATE.
 - INSTALLATION: GLUE-DOWN METHOD. CUT AND FIT TO BUTT TIGHT TO VERTICAL SURFACES. BIND OR SEAL CUT EDGES. EXTEND INTO TEE SPACES AND ALCOVES, AND INSTALL PATTERNS PARALLEL TO WALLS AND BORDERS.
 - INSTALL PATTERN: QUARTER TURN.

SECTION 099100 - PAINTING

- PRODUCTS: COMPLY WITH "MPI APPROVED PRODUCTS LIST". APPROVED MANUFACTURER(S): SHERWIN-WILLIAMS.
 - EXTERIOR PAINTING WITH CUSTOM (PREMIUM) GRADE SYSTEMS:
 - CMU SUBSTRATES:
 - PRIME COAT: LATEX BLOCK FILLER (MPI #4).
 - TOPCOAT: EXTERIOR LATEX (SEMI-GLOSS) (MPI #11).
 - STEEL SUBSTRATES:
 - PRIME COAT: ALKYLID METAL PRIMER (MPI #)
 - TOPCOAT: EXTERIOR ALKYLID ENAMEL (SEMI-GLOSS) (MPI #94).
 - GALVANIZED-METAL SUBSTRATES:
 - PRIME COAT: GALVANIZED-METAL PRIMER (MPI #134).
 - TOPCOAT: EXTERIOR LATEX (SEMI-GLOSS) (MPI #11).
 - WOOD PANELS AND TRIM SUBSTRATES:
 - PRIME COAT: EXTERIOR ALKYLID WOOD PRIMER (MPI #5).
 - TOPCOAT: EXTERIOR ALKYLID ENAMEL (SEMI-GLOSS) (MPI #94). (NOTE: PREMIUM GRADE REQUIRES INTERMEDIATE COAT MATCHING TOPCOAT.)
 - INTERIOR PAINTING WITH CUSTOM (PREMIUM) GRADE SYSTEMS:
 - CMU SUBSTRATES:
 - PRIME COAT: LATEX BLOCK FILLER (MPI #14).
 - TOPCOAT: INTERIOR ALKYLID (EGGSHELL) (MPI #51).
 - STEEL SUBSTRATES:
 - PRIME COAT: ALKYLID METAL PRIMER (MPI #)
 - TOPCOAT: INTERIOR ALKYLID (SEMI-GLOSS) (MPI #47).
 - WOOD PANELS AND TRIM:
 - PRIME COAT: INTERIOR LATEX WOOD PRIMER/SEALER (MPI #39).
 - TOPCOAT: INTERIOR ALKYLID (SEMI-GLOSS) (MPI #47).
 - GYPSUM BOARD SUBSTRATES:
 - PRIMER: INTERIOR LATEX PRIMER/SEALER (MPI #50).
 - TOPCOAT: INTERIOR LATEX (SATIN) (MPI #43). (NOTE: PREMIUM GRADE REQUIRES INTERMEDIATE COAT MATCHING TOPCOAT.)
 - STAINING AND TRANSPARENT FINISHING WITH CUSTOM (PREMIUM) GRADE SYSTEMS:
 - EXTERIOR EXPOSED ROUGH CARPENTRY SUBSTRATES: SEMI-TRANSPARENT STAIN SYSTEM (MPI EXT 6.26).
 - TWO STAIN COATS: EXTERIOR SEMI-TRANSPARENT, SOLVENT BASED, STAIN.
 - EXTERIOR FINISH CARPENTRY SUBSTRATES: SOLID-COLOR LATEX STAIN SYSTEM (MPI EXT 6.3K).
 - CORE COAT: EXTERIOR ALKYLID WOOD PRIMER.
 - TWO STAIN COATS: EXTERIOR SOLID-COLOR LATEX STAIN.
 - INTERIOR FINISH CARPENTRY SUBSTRATES: POLYURETHANE VARNISH OVER STAIN SYSTEM (MPI INT 63E).
 - STAIN COAT: INTERIOR SEMI-TRANSPARENT WOOD STAIN.
 - TWO FINISH COATS: INTERIOR, OIL-MODIFIED, CLEAR URETHANE SATIN.
- PREPARE AND APPLY COMPLYING WITH REQUIREMENTS IN "MPI ARCHITECTURAL PAINT SPECIFICATIONS MANUAL" AND MANUFACTURER'S WRITTEN INSTRUCTIONS.
 - APPLY ONLY WHEN SURFACE AND AIR TEMPERATURES ARE BETWEEN 50 & 85 DEG F.
 - CLEAN SUBSTRATES OF SUBSTANCES THAT COULD IMPAIR BONDING, INCLUDING DIRT, OIL, GREASE, RUST, AND INCOMPATIBLE PAINT.
 - COUNTERSINK STEEL NAILS AND PUTTY (TINTED).
 - APPLY BY BRUSH UNLESS OTHERWISE NOTED OR APPROVED.
 - APPLY ADDITIONAL COATS UNTIL UNDERCOATS OR OTHER CONDITIONS DO NOT SHOW THROUGH.

FOR DIVISIONS 23 & 26 REFER TO PROJECT MANUAL



DARKE COUNTY
**WAGNER AVENUE
INTERIOR RENOVATION**
631 WAGNER AVENUE, GREENVILLE, OHIO 45331

ISSUE		
NO.	DATE	DESCRIPTION
	03/27/2025	FOR PERMIT & BID
JOB NO.	3961.05	
DRAWN	MM / CMS	
CHECKED	MS/MLW	
COPYRIGHT © 2025 - App Architecture, Inc.		
TITLE ARCHITECTURAL SPECIFICATIONS		
SHEET NO.		

A0.2

ARCHITECTURAL SPECIFICATIONS

DIVISION 08 - OPENINGS

SECTION 08 1113 - HOLLOW METAL DOORS AND FRAMES

- REFER TO THE ACCOMPANYING PROJECT MANUAL.

SECTION 08 1416 - FLUSH WOOD DOORS

- DOORS (GENERAL); COMPLY WITH AWWI "ARCHITECTURAL WOODWORK QUALITY STANDARD".
 - MANUFACTURERS:
 - VT INDUSTRIES
 - MARSHFIELD (MASONITE CO.)
 - OSHKOSH
 - WARRANTY PERIOD: LIFE OF INSTALLATION. (FACTORY FIT DOORS.)
 - PARTICLEBOARD CORE DOORS, ANSI A208.1, GRADE LD-2 OR M-2 WITH WOOD BLOCKING.
 - CONSTRUCTION: 5 OR 7 PLYS; FACES BONDED TO CORE.
 - FABRICATION: MACHINE FOR HARDWARE (FACTORY FITTED).
- DOORS FOR TRANSPARENT FINISH:
 - GRADE: PREMIUM, WITH GRADE AA FACE.
 - SPECIES AND CUT: RED OAK, PLAIN SLICED
 - EXPOSED EDGES: SAME SPECIES AS FACES.
 - FACTORY TRANSPARENT FINISH: PREMIUM GRADE, AWWI TR-4 CONVERSION VARNISH FINISH SYSTEM, SATIN SHEEN, AND (STAINED TO MATCH EXISTING).
- INSTALLATION: IN ACCORDANCE WITH MANUFACTURER'S WRITTEN INSTRUCTIONS AND THE REFERENCED QUALITY STANDARD. INSTALL FIRE-RATED DOORS PER NFPA 80. ALIGN AND FIT IN FRAMES WITH UNIFORM CLEARANCES OF 1/8" (1/4" T THRESHOLDS). SEAL CUT SURFACES OF JOB-FITTED DOORS. REHANG OR REPLACE DOORS THAT DO NOT SWING OR OPERATE FREELY. REPLACE DAMAGED FINISHED DOORS.

SECTION 08 7100 - DOOR HARDWARE

- REFER TO THE ACCOMPANYING PROJECT MANUAL.

SECTION 08 8000 - GLAZING

- GLASS PRODUCTS:
 - ANNEALED FLOAT GLASS: ASTM C 1036, TYPE I, QUALITY Q3, CLASS 1.
 - HEAT-TREATED (FULLY TEMPERED) FLOAT GLASS: ASTM C 1048, TYPE I, QUALITY-Q3, CLASS 1, KIND FT.
 - GLAZING GASKETS: NEOPRENE, ASTM C 864.
 - GLAZING SEALANTS: NEUTRAL-CURING SILICONE, CLASS 50, TYPE S, GRADE NS (DOW 791 OR PECORA 895).
 - GLAZING TAPES: PREFORMED, BUTYL-BASED ELASTOMERIC, ASTM C 1281 AND AAMA 800.
 - ACCESSORIES: PRIMERS, SEALERS, SETTING BLOCKS, SPACERS, AND EDGE BLOCKS.
- INSTALLATION: COMPLY WITH COMBINED WRITTEN INSTRUCTIONS OF MANUFACTURERS OF GLASS, SEALANTS, GASKETS, AND OTHER GLAZING MATERIALS. PROVIDE NECESSARY BITE, MINIMUM EDGE AND FACE CLEARANCES; ADEQUATE SEALANT THICKNESS, AND REASONABLE TOLERANCES. INSTALL SETTING BLOCKS AND PROVIDE PRIMERS, SPACERS, AND EDGE BLOCKS WHERE REQUIRED. SET GLASS UNITS BY TAPE GLAZING.

DIVISION 09 - FINISHES

SECTION 09 2216 - NON-STRUCTURAL METAL FRAMING

- FRAMING MEMBERS, GENERAL: COMPLY WITH ASTM C 754 FOR CONDITIONS INDICATED.
 - STEEL SHEET COMPONENTS: ASTM C 645.
 - PROTECTIVE COATING: ASTM A 653/A 653M G40, HOT-DIP GALVANIZED.
- SUSPENSION SYSTEM COMPONENTS:
 - TIE WIRE: ASTM A 641/A, CLASS 1, ZINC COATING, 0.0625"
 - WIRE HANGERS: ASTM A 641/A, CLASS 1, ZINC COATING, 0.162"
 - CARRYING CHANNELS: COLD-ROLLED, STEEL SHEET, 0.0538" WITH MINIMUM 1/2" FLANGES.
- STEEL FRAMING FOR FRAMED ASSEMBLIES:
 - STEEL STUDS AND RUNNERS: ASTM C 645, (0.0312, 20 GAUGE), (3-5/8") DEPTH.
- INSTALLATION STANDARD: ASTM C 754 AND (ASTM C 840 FOR GYPSUM BOARD ASSEMBLIES). INSTALL FRAMING AND BLOCKING TO SUPPORT FIXTURES, EQUIPMENT SERVICES, GRAB BARS, TOILET ACCESSORIES, OR SIMILAR CONSTRUCTION. INSTALL STUDS AT 16" O.C.

SECTION 09 2900 - GYPSUM BOARD

- INTERIOR GYPSUM BOARD: ASTM A 36.
 - TYPICAL CONDITIONS: (5/8" TYPE X).
 - CEILINGS: (1/2" CEILING TYPE).
- AUXILIARY MATERIALS:
 - JOINT TREATMENT: JOINT TAPE AND COMPOUND FOR APPROPRIATE MATERIALS & APPLICATION.
 - TRIM ACCESSORIES: CONTROL JOINTS, CORNER BEADS, BULLNOSE BEADS, AND EDGE BEADS.
 - FASTENERS: STEEL DRILL SCREWS, ASTM C 100 (LAMINATING ADHESIVE FOR DIRECT ADHERENCE).
 - SOUND ATTENUATION BLANKETS: (2") ASTM C 665, TYPE I.
- APPLICATION AND FINISH: COMPLY WITH ASTM C 840 (SINGLE-LAYER) APPLICATION WITH EDGE AND END JOINTS OVER SUPPORTS AND VERTICAL JOINTS STAGGERED ON OPPOSITE SIDES OF PARTITIONS. ATTACH TRIM ACCORDING TO MANUFACTURER'S WRITTEN INSTRUCTIONS. FINISH BOARD IN CONCEALED AREAS TO LEVEL 1 AND TO LEVEL 4 IN EXPOSED AREAS.

SECTION 09 5113 - ACOUSTICAL PANEL CEILINGS

- ACOUSTICAL PANELS: CLASS A, (WET-FORMED MINERAL FIBER) COMPLYING WITH ASTM E 1264 CLASSIFICATIONS FOR TYPES, PATTERNS, ACOUSTICAL RATINGS AND LIGHT REFLECTANCE.
 - ACOUSTICAL PANEL: 24" X 24" X 3/4"
 - REFER TO MATERIAL LEGEND FOR MANUFACTURER AND MODEL.
- METAL SUSPENSION SYSTEM: WIDE-FACE, CAPPED, DOUBLE-WEB, STEEL, INTERMEDIATE-DUTY, WITH PAINTED WHITE ALUMINUM CAP AND COMPLYING WITH ASTM A 653. (MANUFACTURERS: ARMSTRONG, CHICAGO METALLIC, AND USG.)
- METAL EDGE MOLDINGS AND TRIM: ROLL-FORMED SHEET-METAL, OF SAME MATERIAL, FINISH, AND COLOR AS GRID.
- INSTALL TO COMPLY WITH ASTM C 636, PER MANUFACTURER'S WRITTEN INSTRUCTIONS, AND CISCA'S "CEILING SYSTEM HANDBOOK". SUPPORT LIGHT FIXTURES AT FOUR CORNERS WITH WIRE HANGERS.

SECTION 09 6513 - RESILIENT WALL BASE AND ACCESSORIES

- RESILIENT WALL BASE: ASTM F 1861, TYPE (TS), GROUP (I), (COVERED) STYLE, (4") HIGH X 1/8" THICK, WITH (PRE-FORMED) OUTSIDE CORNERS). (MANUFACTURER/COLOR: ROPPE CHARCOAL GRAY.)
- RESILIENT ACCESSORIES:
 - CARPET TO CARPET JOINER: (ROPPE #159 TILE CARPET JOINER).
- PREPARE AND INSTALL COMPLYING WITH MANUFACTURER'S WRITTEN INSTRUCTIONS TO ENSURE ADHESION.

SECTION 096813 - TILE CARPETING

- CARPET TILE (24" X 24"):
 - MANUFACTURER/STYLE/COLOR: (ALLADIN, SURFACE STITCH, SEAL).
 - PERFORMANCE: PASSES DOC-FF-70 PILL TEST, MEETS NFPA CLASS 1 WHEN TESTED UNDER ASTM E-648 GLUE DOWN, AND NES SMOKE CHAMBER NFPA-258 LESS THAN 450 FLAMING MODE.
- PREPARE AND LAY COMPLYING WITH MANUFACTURER'S WRITTEN INSTRUCTIONS AND CR1 104, SECTIONS 6.2 AND 14, "CARPET MODULES"
 - PREPARE CONCRETE SUBSTRATES ACCORDING TO ASTM F 710. USE TROWELABLE LEVELING AND PATCHING COMPOUND TO FILL CRACKS, HOLES, AND DEPRESSIONS TO TRANSITION SMALL CHANGES IN ELEVATION OF SUBSTRATE.
 - INSTALLATION: GLUE-DOWN METHOD, CUT AND FIT TO BUTT TIGHT TO VERTICAL SURFACES. BIND OR SEAL CUT EDGES. EXTEND INTO TOE SPACES AND ALCOVES, AND INSTALL PATTERN PARALLEL TO WALLS AND BORDERS.

SECTION 099100 - PAINTING

- PRODUCTS: COMPLY WITH "MPI APPROVED PRODUCTS LIST", APPROVED MANUFACTURER(S): SHERWIN-WILLIAMS.
- EXTERIOR PAINTING WITH CUSTOM (PREMIUM) GRADE SYSTEMS:
 - CMU SUBSTRATES:
 - PRIME COAT: LATEX BLOCK FILLER (MPI #4).
 - TOPCOAT: EXTERIOR LATEX (SEMIGLOSS) (MPI #11).
 - STEEL SUBSTRATES:
 - PRIME COAT: ALKYD METAL PRIMER (MPI #79).
 - TOPCOAT: EXTERIOR ALKYD ENAMEL (SEMI-GLOSS) (MPI #94).
 - GALVANIZED-METAL SUBSTRATES:
 - PRIME COAT: GALVANIZED-METAL PRIMER (MPI #134).
 - TOPCOAT: EXTERIOR LATEX (SEMI-GLOSS) (MPI #11).
 - WOOD PANELS AND TRIM SUBSTRATES:
 - PRIME COAT: EXTERIOR ALKYD WOOD PRIMER (MPI #5).
 - TOPCOAT: EXTERIOR ALKYD ENAMEL (SEMIGLOSS) (MPI #94). (NOTE: PREMIUM GRADE REQUIRES INTERMEDIATE COAT MATCHING TOPCOAT).
- INTERIOR PAINTING WITH CUSTOM (PREMIUM) GRADE SYSTEMS:
 - CMU SUBSTRATES:
 - PRIME COAT: LATEX BLOCK FILLER (MPI #14).
 - TOPCOAT: INTERIOR ALKYD (EGGSHELL) (MPI #51).
 - STEEL SUBSTRATES:
 - PRIME COAT: ALKYD METAL PRIMER (MPI #76).
 - TOPCOAT: INTERIOR ALKYD (SEMIGLOSS) (MPI #47).
 - WOOD PANELS AND TRIM:
 - PRIME COAT: INTERIOR LATEX WOOD PRIMER/SEALER (MPI #39).
 - TOPCOAT: INTERIOR ALKYD (SEMIGLOSS) (MPI #47).
 - GYPSUM BOARD SUBSTRATES:
 - PRIMER: INTERIOR LATEX PRIMER/SEALER (MPI #50).
 - TOPCOAT: INTERIOR LATEX (SATIN) (MPI #43). (NOTE: PREMIUM GRADE REQUIRES INTERMEDIATE COAT MATCHING TOPCOAT).
- STAINING AND TRANSPARENT FINISHING WITH CUSTOM (PREMIUM) GRADE SYSTEMS:
 - EXTERIOR EXPOSED ROUGH CARPENTRY SUBSTRATES: SEMI-TRANSPARENT STAIN SYSTEM (MPI EXT 6.26).
 - TWO STAIN COATS: EXTERIOR SEMI-TRANSPARENT, SOLVENT BASED, STAIN.
 - EXTERIOR FINISH CARPENTRY SUBSTRATES: SOLID-COLOR LATEX STAIN SYSTEM (MPI EXT 6.3K).
 - PRIME COAT: EXTERIOR ALKYD WOOD PRIMER.
 - TWO STAIN COATS: EXTERIOR SOLID-COLOR LATEX STAIN.
 - INTERIOR FINISH CARPENTRY SUBSTRATES: POLYURETHANE VARNISH OVER STAIN SYSTEM (MPI INT 63E).
 - STAIN COAT: INTERIOR SEMI-TRANSPARENT WOOD STAIN.
 - TWO FINISH COATS: INTERIOR, OIL-MODIFIED, CLEAR URETHANE SATIN.
- PREPARE AND APPLY COMPLYING WITH REQUIREMENTS IN "MPI ARCHITECTURAL PAINT SPECIFICATIONS MANUAL" AND MANUFACTURER'S WRITTEN INSTRUCTIONS.
 - APPLY ONLY WHEN SURFACE AND AIR TEMPERATURES ARE BETWEEN 50 & 95 DEG F.
 - CLEAN SUBSTRATES OF SUBSTANCES THAT COULD IMPAIR BONDING, INCLUDING DIRT, OIL, GREASE, RUST, AND INCOMPATIBLE PAINT.
 - COUNTERSINK STEEL NAILS AND PUTTY (TINTED).
 - APPLY BY BRUSH UNLESS OTHERWISE NOTED OR APPROVED.
 - APPLY ADDITIONAL COATS UNTIL UNDERCOATS OR OTHER CONDITIONS DO NOT SHOW THROUGH.

.....

APP Architecture
creative focused design

615 Woodside Drive, Englewood, Ohio 45322
T 937.836.8898 F 937.832.3696
www.app-arch.com



DARKE COUNTY
**WAGNER AVENUE
INTERIOR RENOVATION**

631 WAGNER AVENUE, GREENVILLE, OHIO 45331

ISSUE	
NO.	DESCRIPTION
03/27/2025	FOR PERMIT & BID

DATE	03/27/2025
JOB NO.	3961.05
DRAWN	MM / CMS
CHECKED	MS/MLW
COPYRIGHT © 2025 - App Architecture, Inc.	
TITLE	ARCHITECTURAL SPECIFICATIONS

SHEET NO.
XXX A0.3

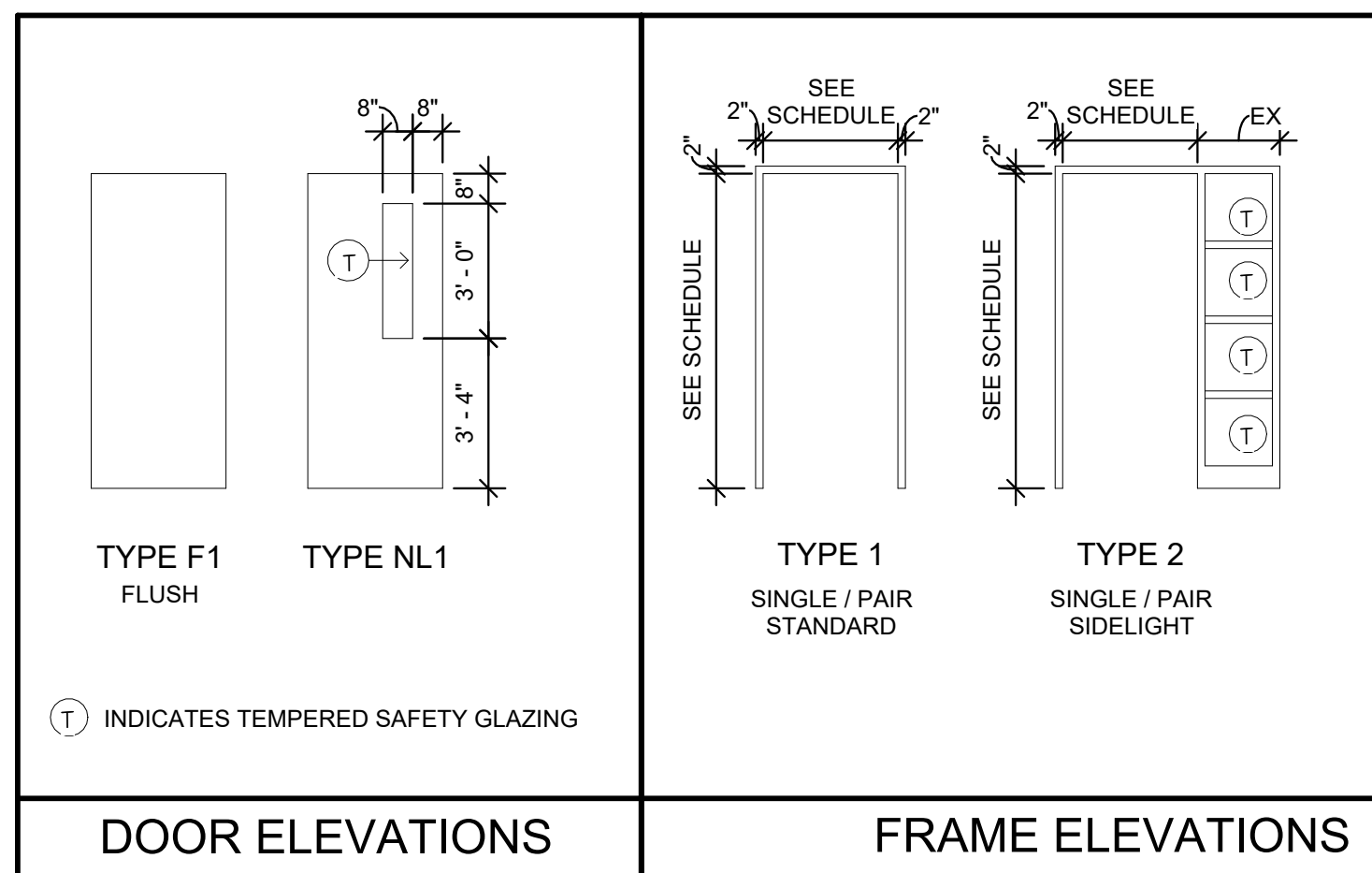
MATERIAL LEGEND						
ITEM	MATERIAL	MANUFACTURER	MATERIAL MODEL NO.	COLOR	CONTACT INFO	REMARKS
BASE						
EX	EXISTING					
RB-1	RUBBER BASE	ROPPE	PINNACLE 4" COVE WALL BASE	CHARCOAL GRAY	SCOTT GREINER, 513.316.9800	2
CABINETS						
PL-1	PLASTIC LAMINATE	WILSONART	8208K-16	FAWN CYPRESS	KATIE MASON, 614.971.9636	
PL-2	PLASTIC LAMINATE	WILSONART	4878-38	PEWTER MESH	KATIE MASON, 614.971.9636	COUNTERTOPS
CEILING						
APC-1	ACOUSTIC PANEL CEILING	ARMSTRONG	MODEL #995 24" X 24" RANDOM TEXTURED	WHITE	JEN McCOY, 513.919.2263	
EX	EXISTING					
DOORS						
EP-1	DOOR & FRAME PAINT	SHERWIN WILLIAMS		SEE REMARKS	ROGER HALL, 614.841.7723	1, 3
FLOOR						
CPT-1	CARPET TILE	ALADDIN	STYLE: QA175, SURFACE STITCH	SEAL	SCOTT PRATO, SCOTT_PRATO@MOHAWKIND.COM	
EX	EXISTING					
SPECIALTY						
TB-1	ACOUSTICAL PANEL MATERIAL	KOROSEAL	SEE SPECIFICATIONS	AS SELECTED FROM MANUFACTURER'S FULL RANGE OF STANDARD COLORS OF FABRICS		
WALL						
EX	EXISTING					
P-1	PAINT	SHERWIN WILLIAMS	SW 7661	REFLECTION	ROGER HALL, 614.841.7723	

ALL FINISHES ARE TO HAVE A MINIMUM CLASS B FIRE PERFORMANCE AND SMOKE DEVELOPMENT CLASSIFICATION

MATERIAL LEGEND REMARKS	
No.	REMARK
1	COLOR MATCH ROPPE CHARCOAL GRAY RUBBER BASE.
2	INSTALL RUBBER BASE ON TOE KICK AT NEW AND EXISTING CASEWORK

ROOM FINISH SCHEDULE										
ROOM No.	ROOM NAME	FLOOR	BASE	WALLS				CEILING MAT.	REMARKS	
				N	S	E	W			
101	LOBBY	CPT-1	RB-1	P-1	P-1	P-1	P-1	APC-1		
130	CORRIDOR	CPT-1	RB-1	P-1	P-1	P-1	P-1	APC-1		
130A	FAMILY 1	CPT-1	RB-1	P-1	P-1	P-1	P-1	APC-1		
130B	FAMILY 2	CPT-1	RB-1	P-1	P-1	P-1	P-1	APC-1		
130C	FAMILY 3	CPT-1	RB-1	P-1	P-1	P-1	P-1	APC-1		
130D	FAMILY 4	CPT-1	RB-1	P-1	P-1	P-1	P-1	APC-1		
130E	FAMILY 5	CPT-1	RB-1	P-1	P-1	P-1	P-1	APC-1		
130F	FAMILY 6	CPT-1	RB-1	P-1	P-1	P-1	P-1	APC-1		
130G	FAMILY 7	CPT-1	RB-1	P-1	P-1	P-1	P-1	APC-1		
130H	FAMILY 8	CPT-1	RB-1	P-1	P-1	P-1	P-1	APC-1		
130I	FAMILY 9	CPT-1	RB-1	P-1	P-1	P-1	P-1	APC-1		
160	CORRIDOR	CPT-1	RB-1	P-1	P-1	P-1	P-1	APC-1		
161	OMJ OFFICE 1	CPT-1	RB-1	P-1	P-1	P-1	P-1	APC-1		
162	SERVER	EX	EX	P-1	P-1	P-1	P-1	EX	2, 4	
163	OMJ OFFICE 2	EX	EX	P-1	P-1	P-1	P-1	APC-1	3	
164	OMJ OFFICE 3	EX	EX	P-1	P-1	P-1	P-1	APC-1	3	
165	OMJ OFFICE 4	EX	EX	P-1	P-1	P-1	P-1	APC-1	3	
170	OPEN OFFICE	CPT-1	RB-1	P-1	P-1	P-1	P-1	APC-1		
171	AGENCY CONFERENCE ROOM	CPT-1	RB-1	P-1	P-1	P-1	P-1	APC-1		
171A	CORRIDOR	EX	RB-1	P-1	P-1	P-1	P-1	EX	1, 3, 4, 5	
172	F&M OFFICE 6	EX	EX	EX	EX	EX	EX	EX	3, 4	
173	OMJ TRAINING	CPT-1	RB-1	P-1	P-1	P-1	P-1	APC-1		
174	OMJ OFFICE 5	EX	EX	P-1	P-1	P-1	P-1	EX	3, 4	
175	INTERVIEW	EX	EX	P-1	P-1	P-1	P-1	EX	3, 4	
177	RECEPTION	CPT-1	RB-1	P-1	P-1	P-1	P-1	APC-1		
178	VR SPACE	EX	RB-1	P-1	P-1	P-1	P-1	EX	1, 3, 4, 5	
179	OMJ OFFICE 6	EX	EX	P-1	P-1	P-1	P-1	EX	3, 4	

ROOM FINISH SCHEDULE REMARKS	
No.	REMARK
1	RB-1 ON NEW WALL ONLY. EXISTING TO REMAIN ON OTHER WALLS.
2	EXISTING VINYL FLOORING AND BASE TO REMAIN. PROTECT DURING ABOVE CEILING WORK.
3	EXISTING CARPET AND BASE TO REMAIN. PROTECT DURING ABOVE CEILING WORK.
4	EXISTING ACOUSTIC PANEL CEILING TO REMAIN. REPLACE ANY TILES DAMAGED DURING ABOVE CEILING WORK.
5	EXISTING CARPET TO REMAIN. PATCH INTO NEW CONSTRUCTION WALL.



DOOR AND FRAME SCHEDULE															
DOOR No.	ROOM NAME	HDW. SET	DOOR				FRAME				FIRE RTG.	REMARKS			
			W	H	T	MAT.	TYPE	FIN.	MAT.	TYPE			FIN.	HEAD	JAMB
130A	FAMILY 1	1	3'-0"	7'-0"	1 3/4"	WD	NL1	STAIN	HM	1	EP-1	E4/A0.4	E5/A0.4	E6/A0.4	
130B	FAMILY 2	1	3'-0"	7'-0"	1 3/4"	WD	NL1	STAIN	HM	1	EP-1	E4/A0.4	E5/A0.4	E6/A0.4	
130C	FAMILY 3	1	3'-0"	7'-0"	1 3/4"	WD	NL1	STAIN	HM	1	EP-1	E4/A0.4	E5/A0.4	E6/A0.4	
130D	FAMILY 4	1	3'-0"	7'-0"	1 3/4"	WD	NL1	STAIN	HM	1	EP-1	E4/A0.4	E5/A0.4	E6/A0.4	
130E	FAMILY 5	1	3'-0"	7'-0"	1 3/4"	WD	NL1	STAIN	HM	1	EP-1	E4/A0.4	E5/A0.4	E6/A0.4	
130F	FAMILY 6	1	3'-0"	7'-0"	1 3/4"	WD	NL1	STAIN	HM	1	EP-1	E4/A0.4	E5/A0.4	E6/A0.4	
130G	FAMILY 7	1	3'-0"	7'-0"	1 3/4"	WD	NL1	STAIN	HM	1	EP-1	E4/A0.4	E5/A0.4	E6/A0.4	
130H	FAMILY 8	1	3'-0"	7'-0"	1 3/4"	WD	NL1	STAIN	HM	1	EP-1	E4/A0.4	E5/A0.4	E6/A0.4	
130I	FAMILY 9	1	3'-0"	7'-0"	1 3/4"	WD	NL1	STAIN	HM	1	EP-1	E4/A0.4	E5/A0.4	E6/A0.4	
160	CORRIDOR	3	3'-0"	7'-0"	1 3/4"	EX	EX	EX	EX	2	EP-1	E4/A0.4	E5/A0.4	E6/A0.4	1, 2
161	OMJ OFFICE 1	1	3'-0"	7'-0"	1 3/4"	WD	NL1	STAIN	HM	1	EP-1	E4/A0.4	E5/A0.4	E6/A0.4	
162	SERVER	3	3'-0"	7'-0"	1 3/4"	EX	EX	EX	EX	1	EP-1	E4/A0.4	E5/A0.4	E6/A0.4	1, 2
171B	AGENCY CONFERENCE ROOM	2	3'-0"	7'-0"	1 3/4"	WD	NL1	STAIN	HM	1	EP-1	E4/A0.4	E5/A0.4	E6/A0.4	
173	OMJ TRAINING	2	3'-0"	7'-0"	1 3/4"	WD	NL1	STAIN	HM	1	EP-1	E4/A0.4	E5/A0.4	E6/A0.4	
177	LOBBY	4	3'-0"	7'-0"	1 3/4"	WD	NL1	STAIN	HM	1	EP-1	E4/A0.4	E5/A0.4	E6/A0.4	
178A	VR SPACE	3	3'-0"	7'-0"	1 3/4"	EX	EX	EX	EX	1	EP-1	E4/A0.4	E5/A0.4	E6/A0.4	1, 2, 3
178B	VR SPACE	2	3'-0"	7'-0"	1 3/4"	WD	NL1	STAIN	HM	1	EP-1	E4/A0.4	E5/A0.4	E6/A0.4	

DOOR REMARKS	
No.	REMARK
1	EXISTING DOOR AND FRAME TO REMAIN. PAINT DOOR FRAME ON AREA OF WORK SIDE
2	SEE HARDWARE SETS FOR WORK
3	ACCESS CONTROL TO BE ON ACCESSED FROM INSIDE OF ROOM.

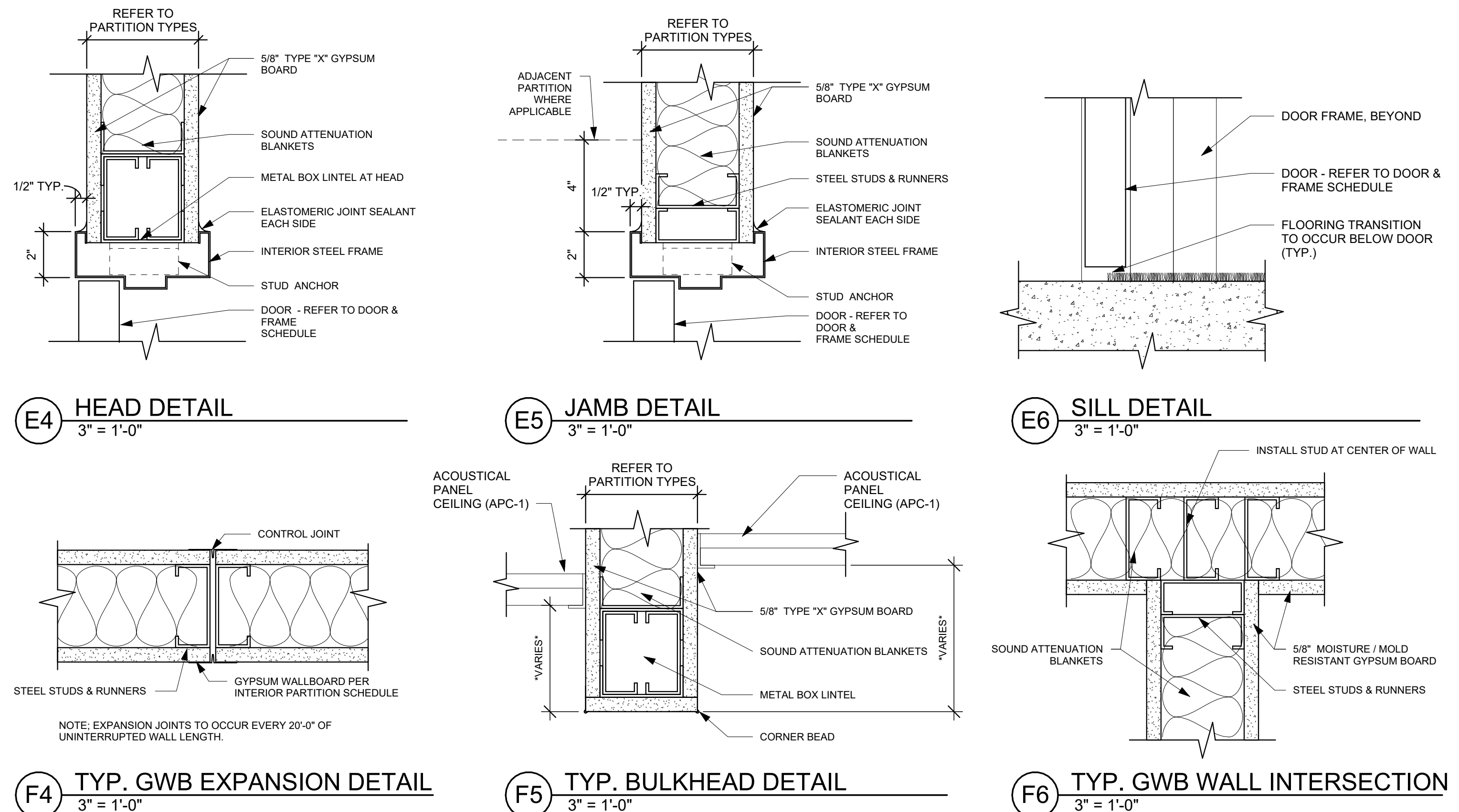
INTERIOR WALL TYPES SCHEDULE			
TYPE	BASE WALL WIDTH	FIRE RATING TESTING AGENCY ASSEMBLY NO.	DETAILS & NOTES
A1	3 5/8"		<p>BRACE TO DECK AT 48" O.C.</p> <p>5/8" TYPE "X" GYPSUM BOARD</p> <p>3 5/8" STEEL STUDS @ 16" O.C.</p> <p>3 1/2" SOUND ATTENUATION</p> <p>5/8" TYPE "X" GYPSUM BOARD</p>
A2	3 5/8"		<p>PLASTIC LAMINATE WALL CAP (SEE DETAIL THIS SHEET)</p> <p>5/8" TYPE "X" GYPSUM BOARD</p> <p>3 5/8" STEEL STUDS @ 16" O.C.</p> <p>3 1/2" SOUND ATTENUATION</p> <p>5/8" TYPE "X" GYPSUM BOARD</p>

GENERAL NOTES

A. STEEL STUD PARTITIONS SHALL BE BRACED TO STRUCTURE ABOVE.

B. ALL NEW PARTITIONS ARE TYPE A1 U.N.O.

C. REFER TO THIS SHEET FOR TYPICAL PARTITION DETAILS.



APP Architecture
creative focused design

615 Woodside Drive, Englewood, Ohio 45322
T 937.836.8898 F 937.832.3696
www.app-arch.com

STATE OF OHIO
MARRIAME L. WEBER
REGISTERED ARCHITECT
9675
Expiration Date 12/31/2025

DARKE COUNTY
WAGNER AVENUE
INTERIOR RENOVATION

631 WAGNER AVENUE, GREENVILLE, OHIO 45331

ISSUE

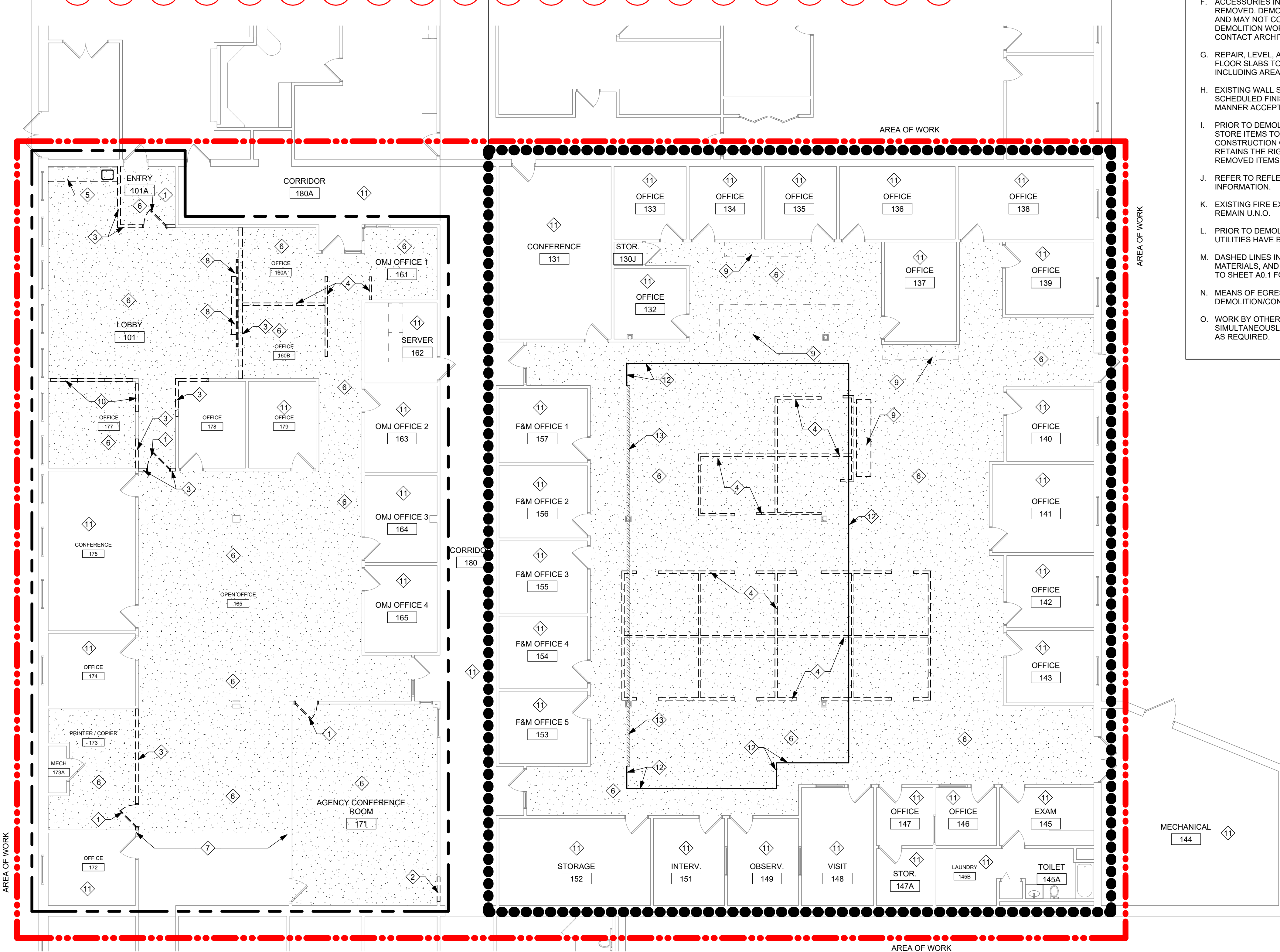
NO.	DATE	DESCRIPTION
1	03/27/2025	FOR PERMIT & BID
1	03/31/2025	ADDENDUM 1

DATE 03/27/2025
JOB NO. 3961.05
DRAWN MM / MLW
CHECKED MS / MLW
COPYRIGHT © 2025 - App Architecture, Inc.
TITLE SCHEDULES AND DETAILS
SHEET NO. **A0.3**

1 2 3 4 5 6 7

A B C D E F

WEST OFFICE AREA EAST OFFICE AREA



GENERAL NOTES

- A. DURING DEMOLITION AND RECONSTRUCTION, ATTENTION MUST BE GIVEN TO MAINTAINING AND PRESERVING THE STRUCTURAL INTEGRITY OF THE BUILDING. IF ANY UNFORESEEN SITUATION DEVELOPS, PLEASE NOTIFY THE OWNER AND ARCHITECT IMMEDIATELY.
- B. PRIOR TO CONSTRUCTION, FIELD INVESTIGATE EXISTING CONDITIONS AND NOTIFY THE OWNER AND THE ARCHITECT OF ANY DISCREPANCIES.
- C. REFER TO PLUMBING, HVAC, AND ELECTRICAL DRAWINGS FOR OTHER ITEMS THAT NEED TO BE REMOVED.
- D. AREAS IMMEDIATELY ADJACENT TO THE AREA OF CONSTRUCTION WILL REMAIN OCCUPIED DURING ENTIRE CONSTRUCTION PERIOD. CONTRACTORS TO TAKE CARE THAT ACTIVITY SHALL NOT IMPEDE ACTIVITY IN AREAS OUTSIDE CONSTRUCTION LIMITS.
- E. CAREFULLY REMOVE WALLS AND ITEMS WHERE ADJACENT CONSTRUCTION WILL BE RETAINED. DISPOSE OF DEMOLISHED ITEMS IN A LEGAL MANNER.
- F. ACCESSORIES IN MULTIPLE INSTANCES ARE TO BE REMOVED. DEMOLITION NOTES ARE FOR GUIDANCE AND MAY NOT COVER SPECIFIC ITEMS. COORDINATE DEMOLITION WORK WITH NEW CONSTRUCTION. CONTACT ARCHITECT IF ANY QUESTIONS.
- G. REPAIR, LEVEL, AND PREPARE EXISTING CONCRETE FLOOR SLABS TO RECEIVE NEW FLOOR FINISH INCLUDING AREAS WHERE OLD WALLS ARE REMOVED.
- H. EXISTING WALL SURFACES TO RECEIVE NEW SCHEDULED FINISHES SHALL BE PREPARED IN A MANNER ACCEPTABLE TO THE FINISH MANUFACTURER.
- I. PRIOR TO DEMOLITION, VERIFY AND REMOVE AND STORE ITEMS TO BE SALVAGED FOR REUSE IN CONSTRUCTION OR GIVEN TO OWNER. THE OWNER RETAINS THE RIGHT OF FIRST REFUSAL OF ALL REMOVED ITEMS.
- J. REFER TO REFLECTED CEILING PLAN FOR ADDITIONAL INFORMATION.
- K. EXISTING FIRE EXTINGUISHER AND CABINETS TO REMAIN U.N.O.
- L. PRIOR TO DEMOLITION, VERIFY NECESSARY EXISTING UTILITIES HAVE BEEN DISCONNECTED AND CAPPED.
- M. DASHED LINES INDICATE BUILDING ELEMENTS, MATERIALS, AND EQUIPMENT TO BE REMOVED. REFER TO SHEET A0.1 FOR DRAWINGS AND SYMBOLS LEGEND.
- N. MEANS OF EGRESS MUST BE MAINTAINED DURING DEMOLITION/CONSTRUCTION.
- O. WORK BY OTHER TRADES MAY OCCUR SIMULTANEOUSLY. COORDINATE WITH OTHER TRADES AS REQUIRED.

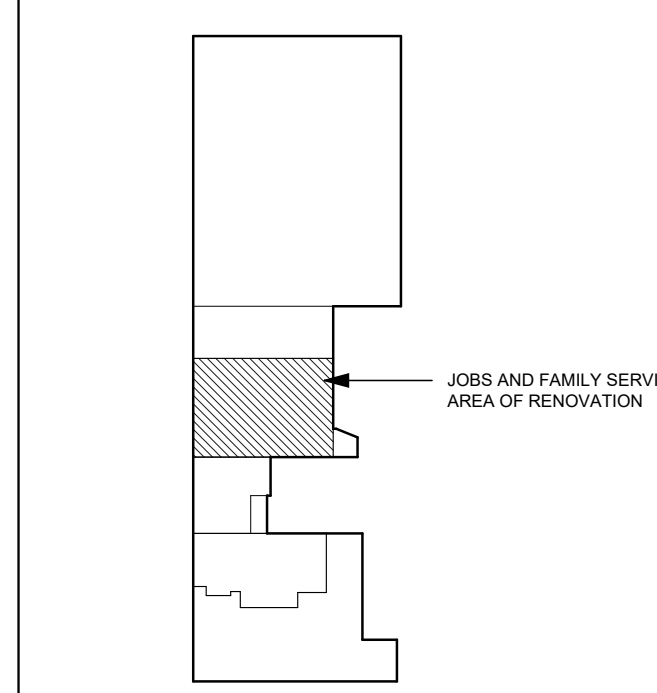
DEMOLITION NOTES

- 1. REMOVE EXISTING DOOR AND FRAME. SALVAGE DOOR SLAB & HARDWARE FOR POSSIBLE REINSTALLATION UNTIL CLOSE OF PROJECT.
 - 2. REMOVE PORTION OF EXISTING WALL FOR NEW DOOR OPENING. COORDINATE WITH NEW WORK PLANS.
 - 3. REMOVE EXISTING WALL COORDINATE EXTENT WITH NEW WORK PLAN. PATCH AND REPAIR ADJACENT SURFACES AS REQUIRED.
 - 4. OWNER TO REMOVE AND SALVAGE EXISTING SYSTEMS FURNITURE. CONTRACTOR TO REMOVE POWER POLES AND CABLING. CONTRACTOR TO SALVAGE POWER POLES FOR REINSTALLATION. SEE MEP DRAWINGS.
 - 5. REMOVE EXISTING CASEWORK AND PLUMBING FIXTURE. SEE ENGINEERING DRAWINGS FOR ADDITIONAL INFORMATION.
 - 6. REMOVE EXISTING FLOORING AND RUBBER BASE THIS ROOM. PREP SUBFLOOR TO RECEIVE NEW FLOOR.
 - 7. REMOVE EXISTING CARPET TO EXTENT SHOWN. READER HERE EXISTING CARPET SOUTH OF NEW WALL. PATCH RUBBER BASE AS REQUIRED. REFER TO NEW WORK PLAN FOR WALL LOCATION.
 - 8. REMOVE EXISTING WHITE BOARD AND PROJECTION SCREEN. SALVAGE. SEE NEW WORK PLAN FOR REINSTALLATION ROOM 173.
 - 9. EXISTING LATERAL FILES TO BE RELOCATED BY OWNER FOR NEW FLOORING WORK. GC TO COORDINATE WITH OWNER.
 - 10. REMOVE EXISTING PORTION OF WALL FOR INSTALLATION OF HM FRAME WINDOWS. REFER TO A7.1 INTERIOR ELEVATIONS FOR MORE DETAILS. PATCH AND REPAIR ADJACENT SURFACES AS REQUIRED.
 - 11. REFER TO MEP DRAWINGS FOR SCOPE OF WORK THIS ROOM.
 - 12. TEMPORARY BARRIER 3'-0" MIN. FROM NEW WALLS. REFER TO PHASING NOTE D.
 - 13. CONSTRUCT NEW WALL TO ACT AS TEMPORARY BARRIER DURING CONSTRUCTION AND MAINTAIN ACCESS TO OFFICES. SCHEDULE CUTTING IN DOORS AND FINISHING EXTERIOR SIDE OF WALL WITH OWNER DURING REGULAR WORKING HOURS.
- EXISTING FLOORING TO BE REMOVED, SEE NOTE 6 ABOVE. AT DOORS TRANSITION FROM NEW TO EXISTING SHALL BE CONCEALED UNDER THE DOOR SLAB WITH BUTT JOINT.

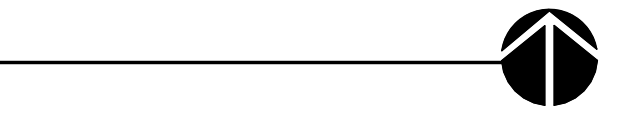
PHASING NOTES

- A. OWNER WILL TURN OVER BOTH THE WEST OFFICE AREA AND THE EAST OFFICE AREA FOR RENOVATION AT THE SAME TIME. SHOULD ONE AREA COMPLETE EARLIER THAN THE OTHER CONTRACTOR IS TO OBTAIN A TEMPORARY CERTIFICATE OF OCCUPANCY AND TURN THE OFFICE AREA OVER TO THE OWNER FOR OCCUPANCY.
- B. CONTRACTORS SHALL PLAN AND SCHEDULE ACTIVITIES TO MAINTAIN THE OFFICE FUNCTIONS AND COMPLETE THE WORK AS EXPEDITIOUSLY AS POSSIBLE.
- C. MAINTAIN CONSTANT NEGATIVE AIR PRESSURE WITH HEPA FILTRATION IN CONSTRUCTION AREA. REVIEW AREA WITH OWNER TO DETERMINE THE MOST APPROPRIATE AND LEAST COSTLY METHOD OF MAINTAINING NEGATIVE AIR PRESSURE. IT IS IMPERATIVE THAT ACOUSTIC SOUND SEALS ARE MAINTAINED ON EACH DOOR SEPARATING WORK AREAS FROM OCCUPIED AREAS.
- D. MAINTAIN MEANS OF EGRESS AT ALL TIMES DURING CONSTRUCTION.
- E. A TEMPORARY DUST BARRIER AROUND CONSTRUCTION AREAS CONSISTING OF METAL STUDS AND HEAVY WEIGHT POLYVINYL SHEETING IS REQUIRED TO KEEP DUST MIGRATION DOWN. SEE DRAWINGS. COORDINATE ADDITIONAL REQUIREMENTS, EXTENT, AND LOCATION WITH OWNER.
- F. TEMPORARY SEPARATION BETWEEN OCCUPIED SPACES AND CONSTRUCTION SHOULD MEET THE REQUIREMENTS OF NFPA 241, STANDARDS FOR SAFEGUARDING CONSTRUCTION, ALTERATION, AND DEMOLITION OPERATIONS, 2009.

KEY PLAN



F1 DEMOLITION FLOOR PLAN
1/8" = 1'-0"



App Architecture
creative focused design

615 Woodside Drive, Englewood, Ohio 45322
T 937.836.8898 F 937.832.3696
www.app-arch.com



**DARKE COUNTY
WAGNER AVENUE
INTERIOR RENOVATION**

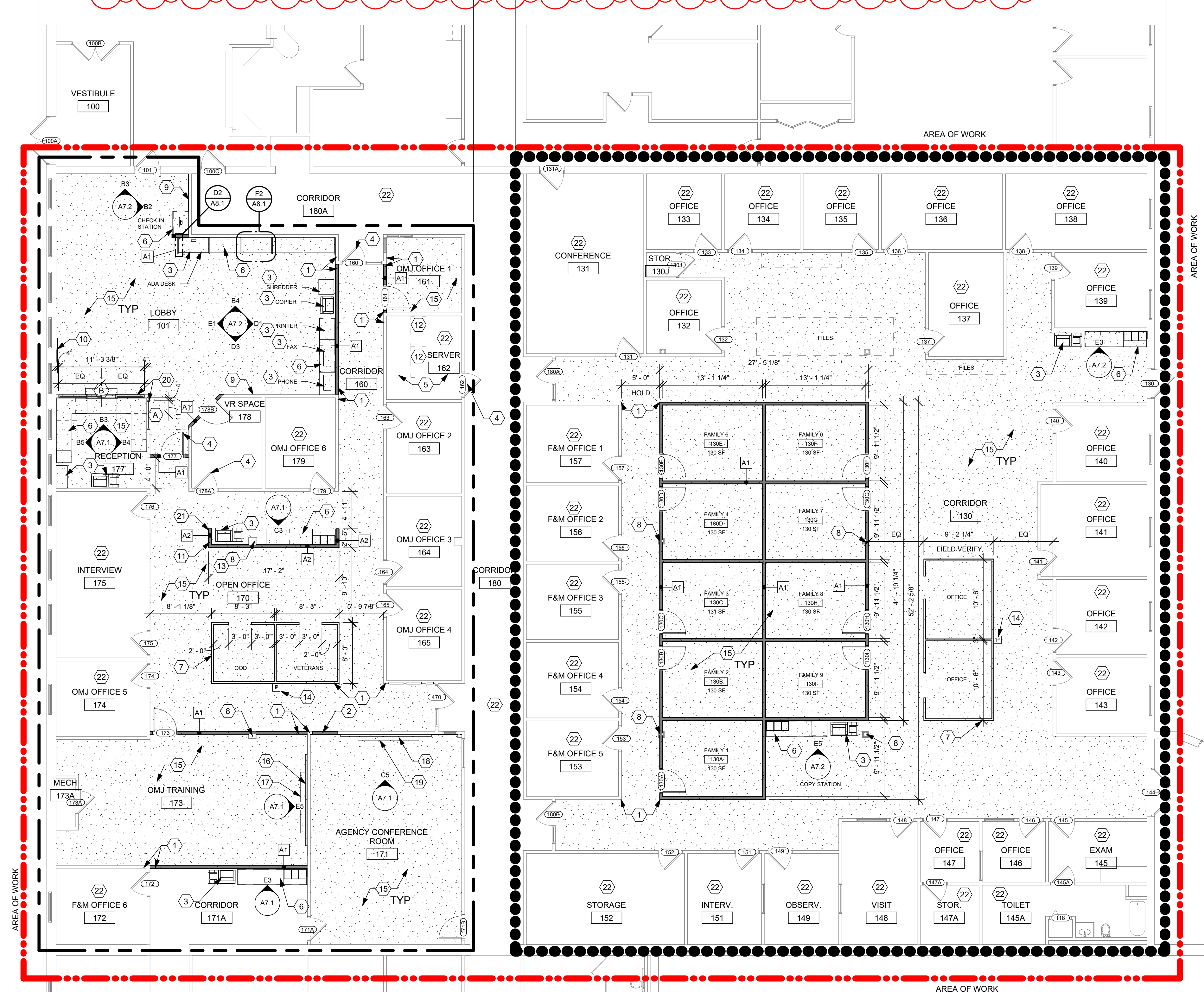
631 WAGNER AVENUE, GREENVILLE, OHIO 45331

ISSUE	
NO.	DESCRIPTION
1	03/27/2025 FOR PERMIT & BID 03/31/2025 ADDENDUM 1

DATE	03/27/2025
JOB NO.	3961.05
DRAWN	MM / CMS
CHECKED	MS/MLW
COPYRIGHT © 2025 - App Architecture, Inc.	
TITLE DEMOLITION PLAN - JOB AND FAMILY SERVICES	
SHEET NO. A1.1	

3/31/2025 6:58:20 PM

WEST OFFICE AREA **EAST OFFICE AREA**



PHASING NOTES

- A. OWNER WILL TURN OVER BOTH THE WEST OFFICE AREA AND THE EAST OFFICE AREA FOR RENOVATION AT THE SAME TIME. SHOULD ONE AREA COMPLETE EARLIER THAN THE OTHER CONTRACTOR IS TO OBTAIN A TEMPORARY CERTIFICATE OF OCCUPANCY AND TURN THE OFFICE AREA OVER TO THE OWNER FOR OCCUPANCY.
- B. CONTRACTORS SHALL PLAN AND SCHEDULE ACTIVITIES TO MAINTAIN THE OFFICE FUNCTIONS AND COMPLETE THE WORK AS EXPEDITIOUSLY AS POSSIBLE.
- C. MAINTAIN CONSTANT NEGATIVE AIR PRESSURE WITH HEPA FILTRATION IN CONSTRUCTION AREA. REVIEW AREA WITH OWNER TO DETERMINE THE MOST APPROPRIATE AND LEAST COSTLY METHOD OF MAINTAINING NEGATIVE AIR PRESSURE. IT IS IMPERATIVE THAT ACOUSTIC SOUND SEALS ARE MAINTAINED ON EACH DOOR SEPARATING WORK AREAS FROM OCCUPIED AREAS.
- D. MAINTAIN MEANS OF EGRESS AT ALL TIMES DURING CONSTRUCTION.
- E. A TEMPORARY DUST BARRIER AROUND CONSTRUCTION AREAS CONSISTING OF METAL STUDS AND HEAVY WEIGHT POLYVINYL SHEETING IS REQUIRED TO KEEP DUST MIGRATION DOWN. SEE DRAWINGS. COORDINATE ADDITIONAL REQUIREMENTS, EXTENT, AND LOCATION WITH OWNER.
- F. TEMPORARY SEPARATION BETWEEN OCCUPIED SPACES AND CONSTRUCTION SHOULD MEET THE REQUIREMENTS OF NFPA 241, STANDARDS FOR SAFEGUARDING CONSTRUCTION, ALTERATION, AND DEMOLITION OPERATIONS, 2009.

GENERAL NOTES

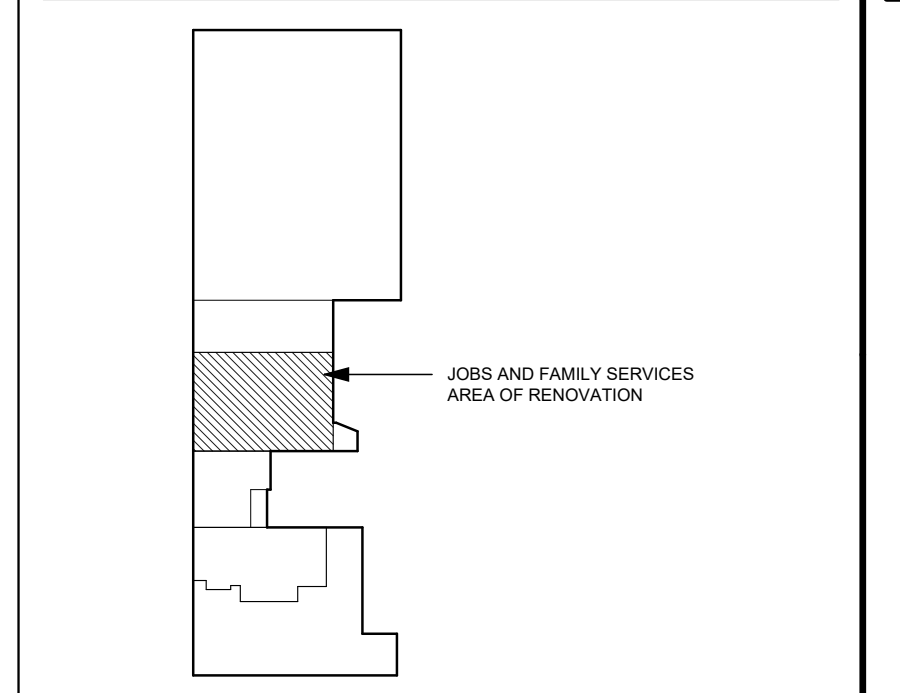
- A. REPAIR, LEVEL, AND PREPARE EXISTING SUBFLOORS AND SLAB TO RECEIVE NEW FLOOR FINISH, INCLUDING AREAS WHERE OLD EXISTING WALLS ARE REMOVED.
- B. INSTALL FIRE RETARDANT SOLID WOOD BLOCKING IN WALLS BEHIND WALL-MOUNTED ITEMS INCLUDING CASEWORK.
- C. EXISTING WALL SURFACES TO RECEIVE NEW SCHEDULED FINISHES SHALL BE PREPARED IN A MANNER ACCEPTABLE TO THE FINISH MANUFACTURER.
- D. CONTRACTORS SHALL PATCH AND REPAIR WALLS AT ALL ABANDONED UTILITIES (E.G. LIGHT SWITCHES, OUTLETS, FIRE ALARM, ETC.) FILL VOID WITH COMPATIBLE FILLER MATERIAL AND FINISH FLUSH WITH EXISTING FACE OF WALL. COORDINATE WITH MEP DRAWINGS.
- E. INTERIOR DIMENSIONS ARE FROM FINISHED FACE TO FINISHED FACE U.N.O.
- F. REFER TO INTERIOR ELEVATIONS FOR ADDITIONAL INFORMATION.
- G. G.C. TO FIELD VERIFY CONDITIONS PRIOR TO STARTING CONSTRUCTION.
- H. EXISTING DOOR AND WINDOW FRAMES IN AREA OF WORK SHALL BE PAINTED ON WORK SIDE.
- I. NO WORK ON DOORS EXCLUDED FROM DOOR SCHEDULE ON SHEET A0.4.

CONSTRUCTION NOTES

- (00) INDICATES CONSTRUCTION NOTE.
- 1 ALIGN.
- 2 INFILL OPENING. ALIGN WITH ADJACENT SURFACES.
- 3 OWNER'S EXISTING FURNITURE AND EQUIPMENT. OWNER TO RELOCATE AND INSTALL NEW ITEMS.
- 4 DOOR TO RECEIVE BATTERY POWERED ACCESS CONTROL. REFER TO HARDWARE SCHEDULE.
- 5 PREP AND REPAIR WALLS AND CEILING AS NECESSARY FROM MEP WORK. REFER TO MEP DRAWINGS.
- 6 PROVIDE AND INSTALL NEW CASEWORK. REFER TO SHEET A7.1 AND A8.1 FOR MORE DETAILS.
- 7 SYSTEMS FURNITURE. OWNER TO REINSTALL EXISTING PANELS IN NEW CONFIGURATION. CONTRACTOR RESPONSIBLE FOR POWER AND DATA - SEE ENGINEERING DRAWINGS.
- 8 EXISTING COLUMN TO REMAIN.
- 9 CONTRACTOR TO INSTALL EXISTING BULLETIN BOARD AND PAMPHLET HOLDER TO EXISTING STUD WALL. COORDINATE LOCATION WITH OWNER. REFER IN INTERIOR ELEVATIONS.
- 10 PROVIDE AND INSTALL BLOCKING FOR OWNER PROVIDED TV. REFER TO ELEVATIONS FOR MOUNTING HEIGHT.
- 11 WALL TO BE 6'-0" A.F.F.
- 12 EXISTING SERVER RACK TO REMAIN. PROTECT DURING CONSTRUCTION.
- 13 OPEN UP COLUMN DRYWALL ENCLOSURE TO RUN NEW POWER AND DATA - PATCH AND REPAIR FINISH. SEE FINISH SCHEDULE.
- 14 REINSTALL EXISTING POWER POLE SALVAGED FROM DEMOLITION. SEE ENGINEERING DRAWINGS.
- 15 PROVIDE AND INSTALL NEW FLOORING AND BASE. SEE FINISH SCHEDULE.
- 16 INSTALL SALVAGED WHITE BOARD CENTERED ON WALL.
- 17 INSTALL SALVAGED PULL-DOWN, WALL MOUNTED PROJECTOR SCREEN CENTERED ON WALL.
- 18 PROVIDE AND INSTALL WHITE BOARD CENTERED ON WALL. REFER TO INTERIOR ELEVATIONS FOR BASIS OF DESIGN.
- 19 PROVIDE AND INSTALL PROJECTOR SCREEN CENTERED ON WALL. REFER TO INTERIOR ELEVATIONS FOR BASIS OF DESIGN.
- 20 HOLLOW METAL WINDOW FRAME, PROVIDE BOX BEAM ABOVE, SEE WINDOW TYPES SHEET A8.2.
- 21 PROVIDE CLARK DIETRICH PONYWALL COLUMN #LGPW96 (OR EQUAL) THIS LOCATION.
- 22 REFER TO MEP DRAWINGS FOR SCOPE OF WORK THIS ROOM.

= AREA TO RECEIVE NEW FLOORING AND BASE. SEE NOTE 15 ABOVE. AT DOORS TRANSITION FROM NEW TO EXISTING SHALL BE CONCEALED UNDER THE DOOR SLAB.

KEY PLAN



App Architecture
creative focused design

615 Woodside Drive, Englewood, Ohio 45322
T 937.836.8898 F 937.832.3696
www.app-arch.com

STATE OF OHIO REGISTERED ARCHITECT
MARIANNE L. WEBER
LICENSE #9675
EXPIRES 12/31/2025

DARKE COUNTY WAGNER AVENUE INTERIOR RENOVATION

631 WAGNER AVENUE, GREENVILLE, OHIO 45331

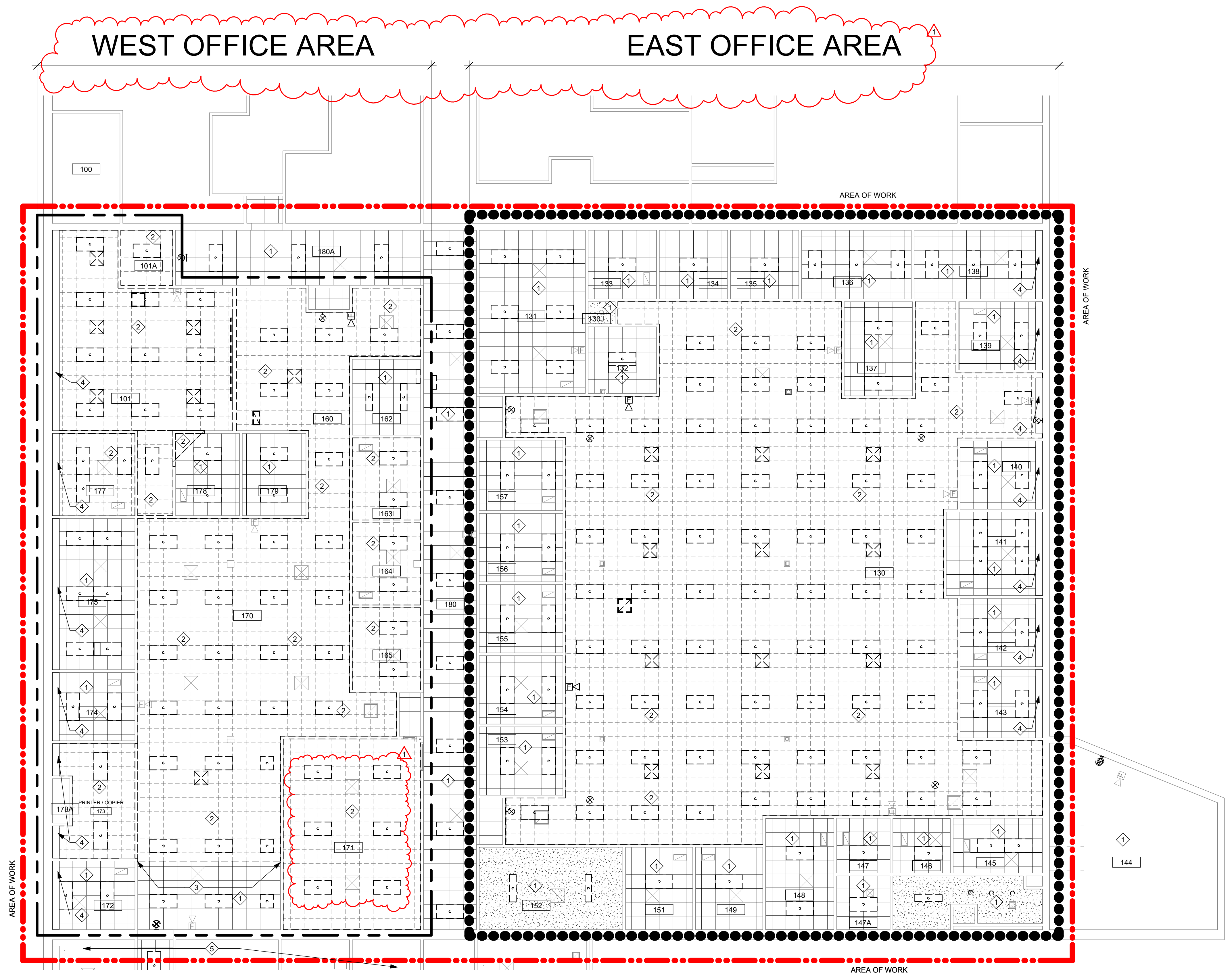
ISSUE	
NO.	DESCRIPTION
03/27/2025	FOR PERMIT & BID
1	03/31/2025 ADDENDUM 1

DATE	03/27/2025
JOB NO.	3961.05
DRAWN	MM / MS
CHECKED	MS/MLW
COPYRIGHT © 2025 - App Architecture, Inc.	
TITLE REFERENCE PLAN - JOB AND FAMILY SERVICES	
SHEET NO. A1.2	

F1 NEW WORK FLOOR PLAN
1/8" = 1'-0"

1 2 3 4 5 6 7

A
B
C
D
E
F



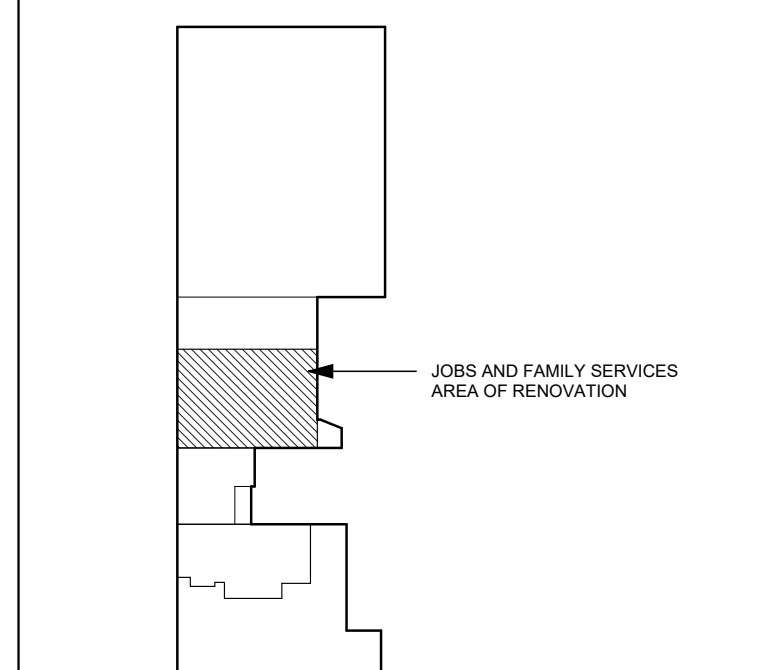
DEMOLITION NOTES

- ◆ INDICATES DEMOLITION NOTE.
- 1 EXISTING CEILING TO REMAIN. ALL LIGHT FIXTURES TO BE REMOVED FOR REPLACEMENT. REFER TO ELECTRICAL DRAWINGS
- 2 REMOVE EXISTING CEILING GRID, APC, HANGING WIRES, AND LIGHTS THIS ROOM.
- 3 EXISTING CEILING GRID AND APC TO REMAIN. REWORK GRID AND TILES AS NEEDED AFTER NEW WALL INSTALLATION. REFER TO NEW WORK PLAN FOR NEW WALL LOCATION.
- 4 EXISTING RADIANT CEILING PANEL. SEE ENGINEERING DRAWINGS FOR WORK REQUIRED.
- 5 SEE ENGINEERING DRAWINGS FOR WORK BEYOND THIS AREA.

GENERAL NOTES

- A. DURING DEMOLITION AND RECONSTRUCTION, ATTENTION MUST BE GIVEN TO MAINTAINING AND PRESERVING THE STRUCTURAL INTEGRITY OF THE BUILDING. IF ANY UNFORESEEN SITUATION DEVELOPS, PLEASE NOTIFY THE OWNER AND ARCHITECT IMMEDIATELY.
- B. PRIOR TO CONSTRUCTION, FIELD INVESTIGATE EXISTING CONDITIONS AND NOTIFY THE OWNER AND THE ARCHITECT OF ANY DISCREPANCIES.
- C. REFER TO PLUMBING, HVAC, AND ELECTRICAL DRAWINGS FOR OTHER ITEMS THAT NEED TO BE REMOVED.
- D. AREAS IMMEDIATELY ADJACENT TO THE AREA OF CONSTRUCTION WILL REMAIN OCCUPIED DURING ENTIRE CONSTRUCTION PERIOD. CONTRACTORS TO TAKE CARE THAT ACTIVITY SHALL NOT IMPEDE ACTIVITY IN AREAS OUTSIDE CONSTRUCTION LIMITS.
- E. CAREFULLY REMOVE WALLS AND ITEMS WHERE ADJACENT CONSTRUCTION WILL BE RETAINED. DISPOSE OF DEMOLISHED ITEMS IN A LEGAL MANNER.
- F. ACCESSORIES IN MULTIPLE INSTANCES ARE TO BE REMOVED. DEMOLITION NOTES ARE FOR GUIDANCE AND MAY NOT COVER SPECIFIC ITEMS. COORDINATE DEMOLITION WORK WITH NEW CONSTRUCTION. CONTACT ARCHITECT IF ANY QUESTIONS.
- G. REPAIR, LEVEL, AND PREPARE EXISTING CONCRETE FLOOR SLABS TO RECEIVE NEW FLOOR FINISH INCLUDING AREAS WHERE OLD WALLS ARE REMOVED.
- H. EXISTING WALL SURFACES TO RECEIVE NEW SCHEDULED FINISHES SHALL BE PREPARED IN A MANNER ACCEPTABLE TO THE FINISH MANUFACTURER.
- I. PRIOR TO DEMOLITION, VERIFY AND REMOVE AND STORE ITEMS TO BE SALVAGED FOR REUSE IN CONSTRUCTION OR GIVEN TO OWNER. THE OWNER RETAINS THE RIGHT OF FIRST REFUSAL OF ALL REMOVED ITEMS.
- J. REFER TO REFLECTED CEILING PLAN FOR ADDITIONAL INFORMATION.
- K. EXISTING FIRE EXTINGUISHER AND CABINETS TO REMAIN U.N.O.
- L. PRIOR TO DEMOLITION, VERIFY NECESSARY EXISTING UTILITIES HAVE BEEN DISCONNECTED AND CAPPED.
- M. DASHED LINES INDICATE BUILDING ELEMENTS, MATERIALS, AND EQUIPMENT TO BE REMOVED. REFER TO SHEET A0.1 FOR DRAWINGS AND SYMBOLS LEGEND.
- N. MEANS OF EGRESS MUST BE MAINTAINED DURING DEMOLITION/CONSTRUCTION.
- O. WORK BY OTHER TRADES MAY OCCUR SIMULTANEOUSLY. COORDINATE WITH OTHER TRADES AS REQUIRED.
- P. RADIANT PANELS TO REMAIN THROUGHOUT U.N.O. REFER TO MECHANICAL DRAWINGS.

KEY PLAN



(F1) DEMOLITION REFLECTED CEILING PLAN
1/8" = 1'-0"

APP Architecture
creative focused design

615 Woodside Drive, Englewood, Ohio 45322
T 937.836.8898 F 937.832.3696
www.app-arch.com

STATE OF OHIO
MARIANNE L. WEBER
REGISTERED ARCHITECT
9675
Expiration Date 7/25/2025

DARKE COUNTY
WAGNER AVENUE
INTERIOR RENOVATION

631 WAGNER AVENUE, GREENVILLE, OHIO 45331

ISSUE	
NO.	DESCRIPTION
1	03/27/2025 FOR PERMIT & BID 03/31/2025 ADDENDUM 1

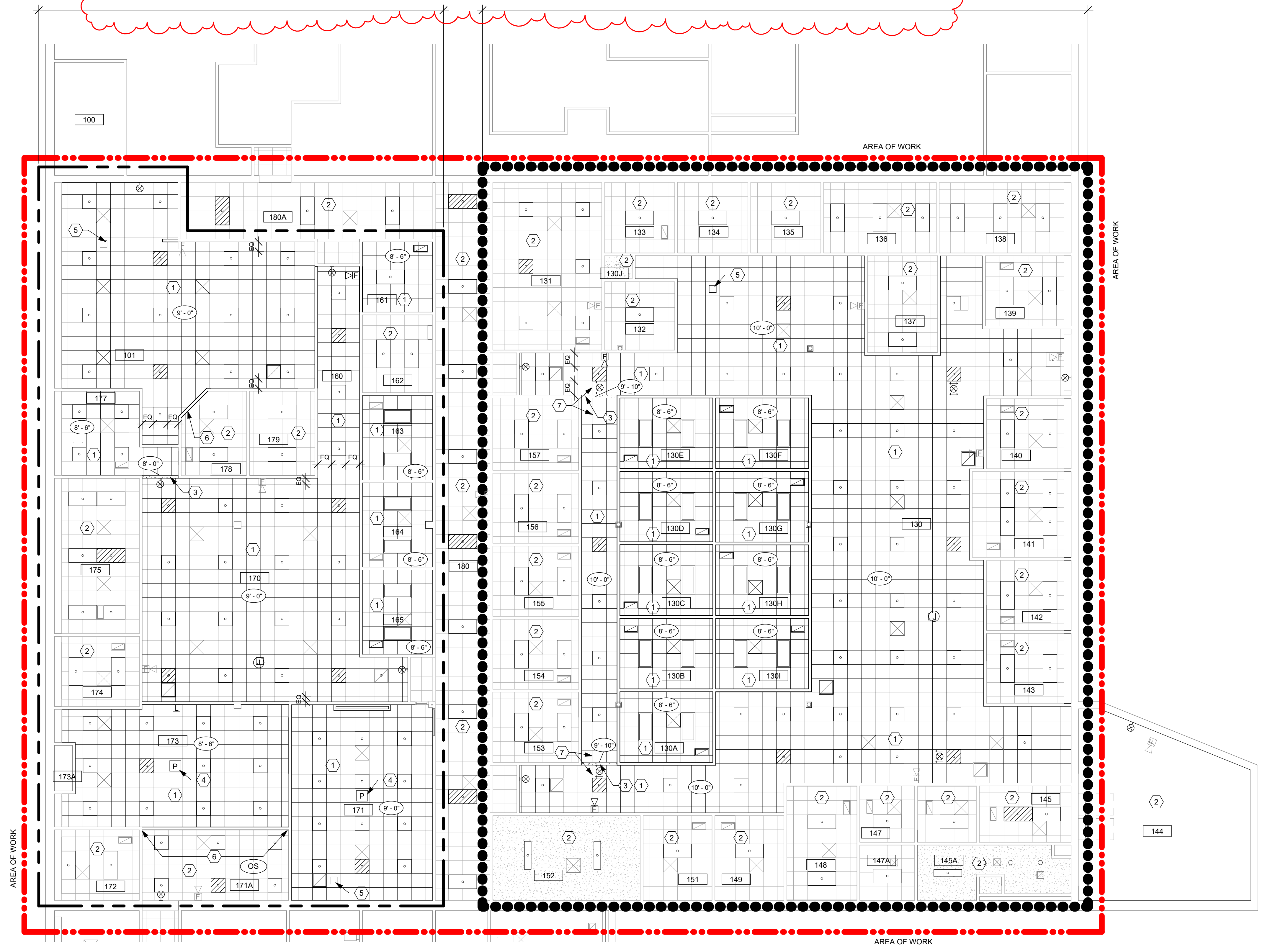
DATE	03/27/2025
JOB NO.	3961.05
DRAWN	MM / CMS
CHECKED	MS/MLW
COPYRIGHT © 2025 - App Architecture, Inc.	
TITLE DEMOLITION REFLECTED CEILING PLAN - JOB AND FAMILY SERVICES	
SHEET NO. A2.1	

3/31/2025 6:58:22 PM

1 | 2 | 3 | 4 | 5 | 6 | 7

A
B
C
D
E
F

WEST OFFICE AREA EAST OFFICE AREA



CONSTRUCTION NOTES

- 00 INDICATES CONSTRUCTION NOTE.
- 1 NEW APC CEILING.
- 2 EXISTING CEILING TO REMAIN. REPLACE LIGHT FIXTURES. REFER TO ELECTRICAL DRAWINGS. NO ARCHITECTURAL WORK THIS ROOM. EXISTING FINISHES TO REMAIN.
- 3 NEW GYP. BOARD BULKHEAD. REFER TO SHEET A0.4 FOR DETAILS
- 4 PROJECTOR PROVIDED BY OWNER. CONTRACTOR TO PROVIDE POWER AND DATA. SEE ENGINEERING DRAWINGS.
- 5 OWNER PROVIDED AND INSTALLED WIRELESS ACCESS POINT. CONTRACTOR TO COORDINATE EXACT LOCATION AND INSTALLATION WITH OWNER'S CONTRACTOR.
- 6 MODIFY EXISTING APC GRID AND PADS FOR NEW WALL CONSTRUCTION.
- 7 ALIGN.

APP Architecture
creative focused design

615 Woodside Drive, Englewood, Ohio 45322
T 937.836.8898 F 937.832.3696
www.app-arch.com

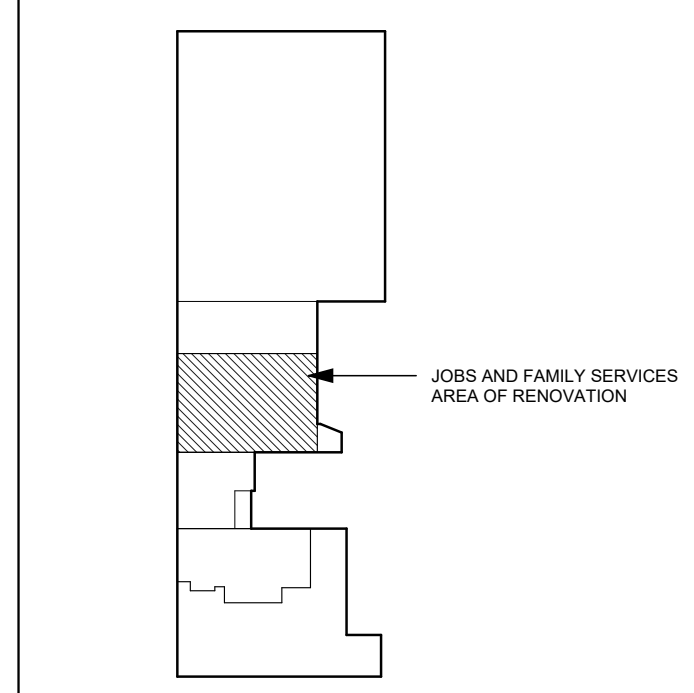
STATE OF OHIO
MARIANNE L. WEBER
REGISTERED ARCHITECT
9675

Marianne L. Weber, License #9675
Expiration Date 12/31/2025

GENERAL NOTES

- A. RADIANT PANELS TO REMAIN THROUGHOUT U.N.O. REFER TO MECHANICAL DRAWINGS.
- B. MEASURE CEILING AND LAYOUT GRIDS TO BALANCE WIDTHS AT OPPOSITE EDGES U.N.O.
- C. MINIMUM APC PANEL WIDTH 3" U.N.O.
- D. REFER TO MEP DRAWINGS FOR ADDITIONAL CEILING DEVICES AND DESCRIPTIONS.
- E. ALL EXPOSED GYPSUM BOARD CEILINGS AND SOFFITS TO BE PAINTED U.N.O.

KEY PLAN



DARKE COUNTY
WAGNER AVENUE
INTERIOR RENOVATION
631 WAGNER AVENUE, GREENVILLE, OHIO 45331

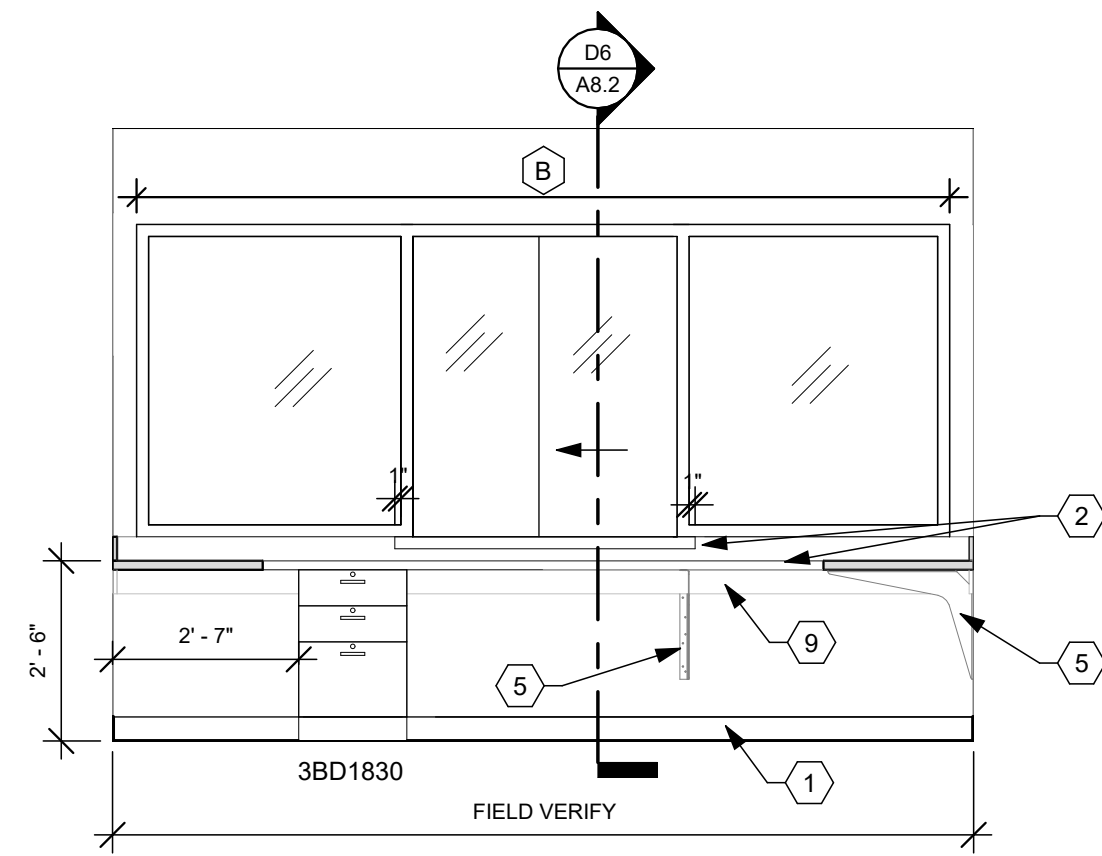
ISSUE	
NO.	DESCRIPTION
1	03/27/2025 FOR PERMIT & BID 03/31/2025 ADDENDUM 1

DATE	03/27/2025
JOB NO.	3961.05
DRAWN	MM / CMS
CHECKED	MS/MLW
COPYRIGHT © 2025 - App Architecture, Inc.	
TITLE REFLECTED CEILING PLAN - JOB AND FAMILY SERVICES	
SHEET NO. A2.2	

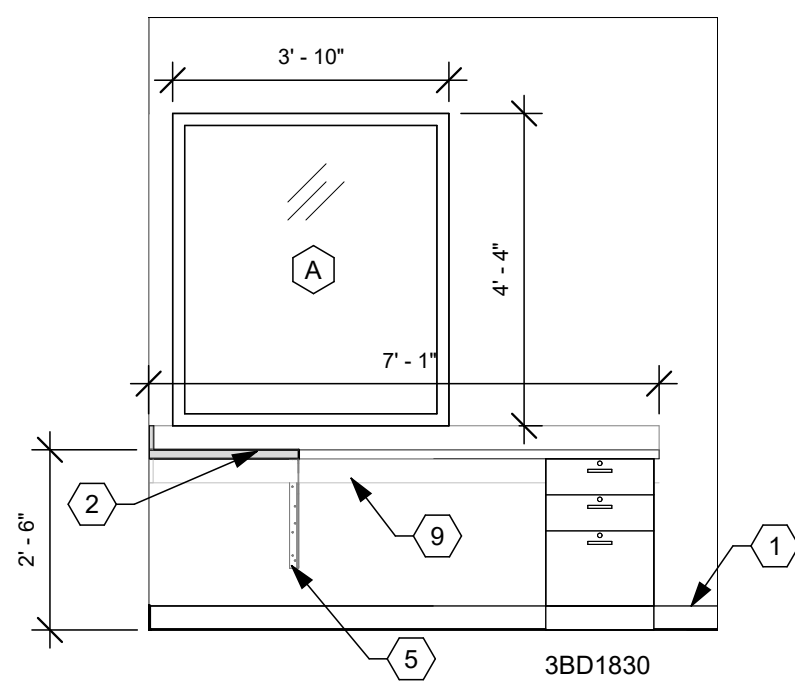
F1 NEW WORK REFLECTED CEILING PLAN
1/8" = 1'-0"

1 | 2 | 3 | 4 | 5 | 6 | 7

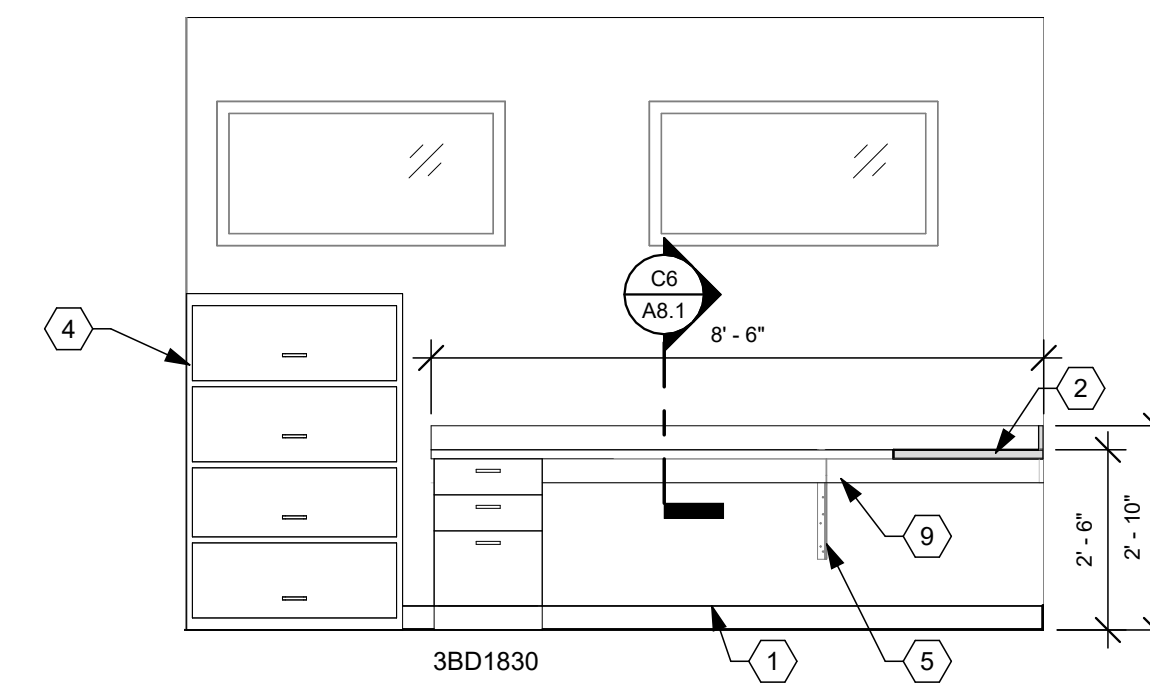
3/31/2025 6:58:22 PM



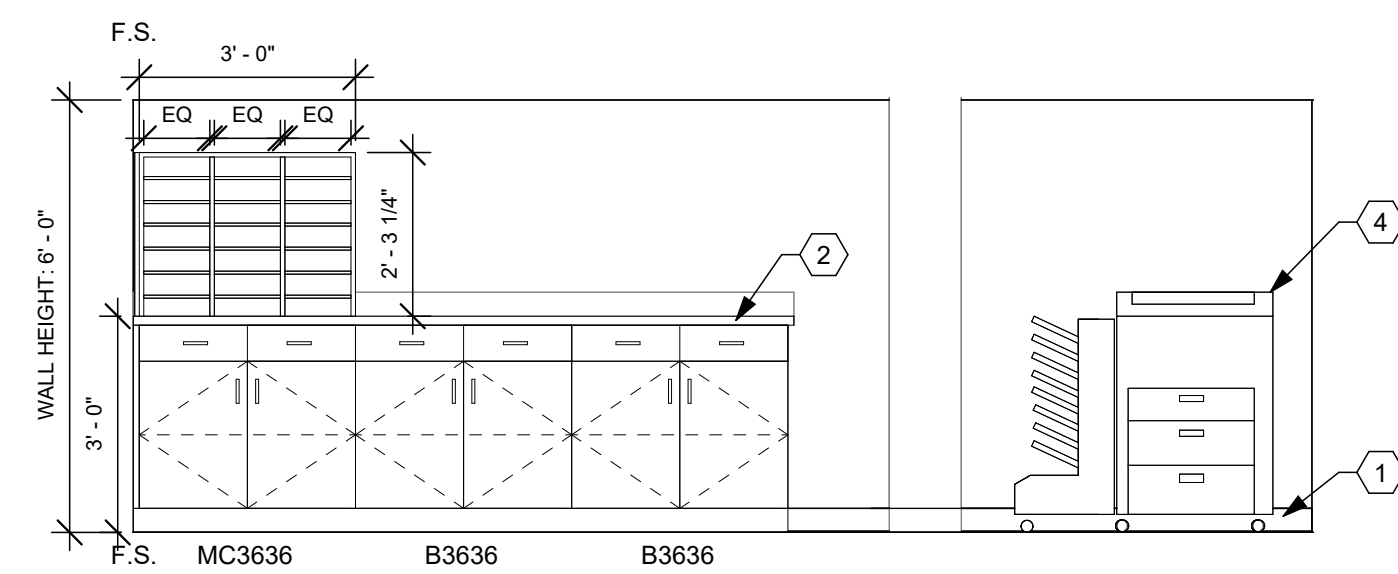
B3 177 RECEPTION - NORTH
3/8" = 1'-0"



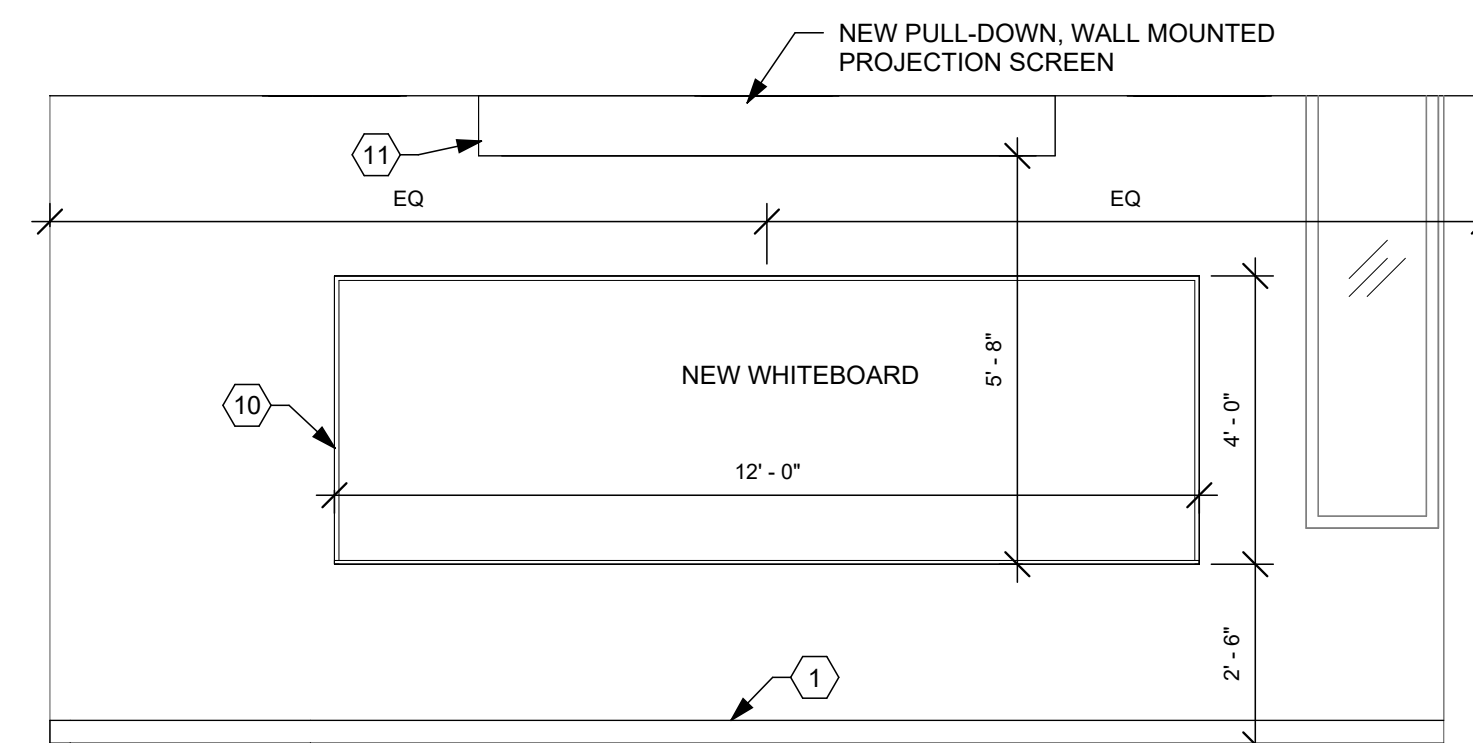
B4 177 RECEPTION - EAST
3/8" = 1'-0"



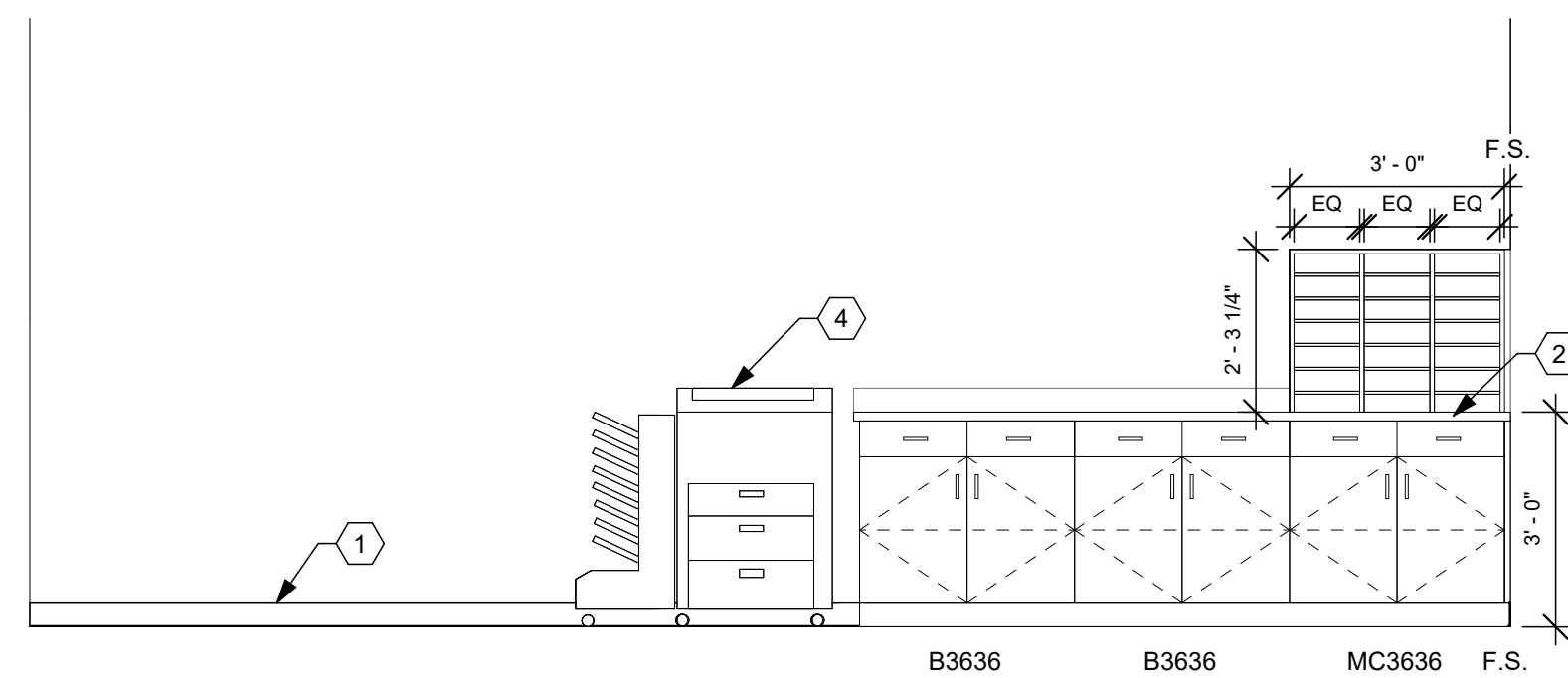
B5 177 RECEPTION - WEST
3/8" = 1'-0"



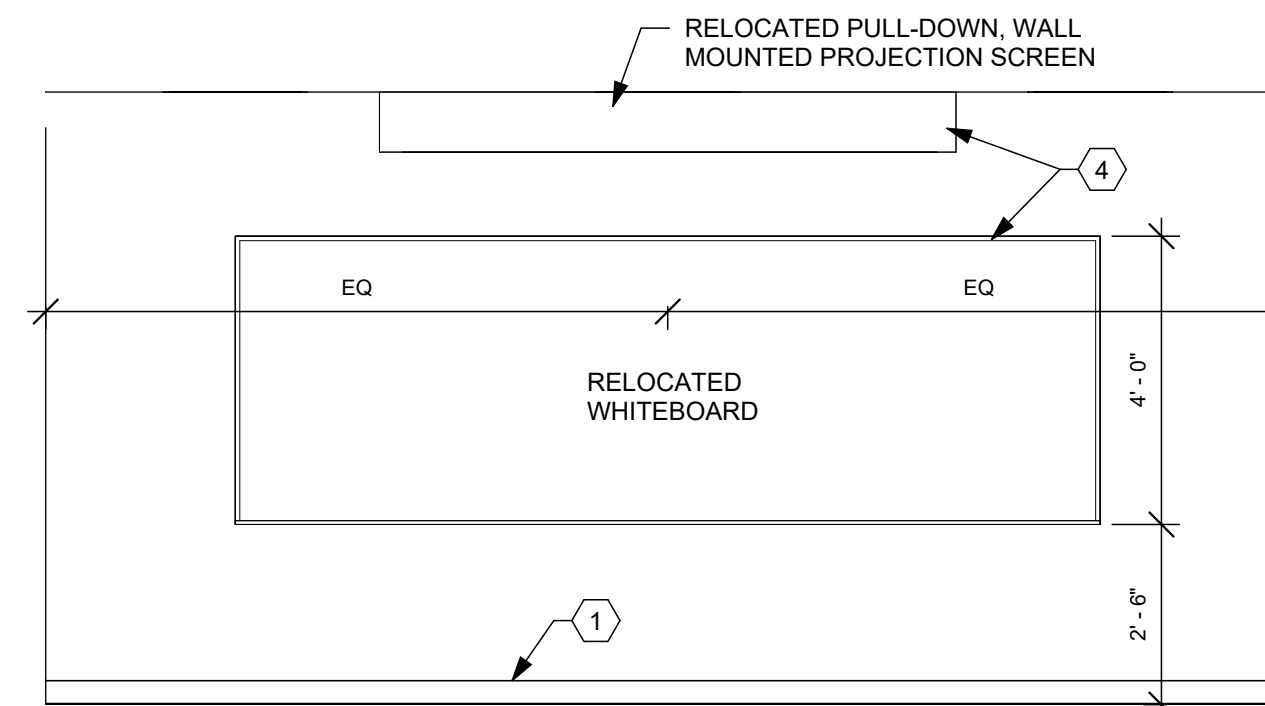
C3 170 OPEN OFFICE - SOUTH
3/8" = 1'-0"



C5 171 CONFERENCE ROOM - NORTH
3/8" = 1'-0"



E3 171A CORRIDOR - NORTH
3/8" = 1'-0"



E5 173 OMJ TRAINING - EAST
3/8" = 1'-0"

CONSTRUCTION NOTES

- 00 INDICATES CONSTRUCTION NOTE.
- BASE. REFER TO FINISH SCHEDULE.
 - (PL-2) COUNTERTOP.
 - CONTRACTOR TO INSTALL EXISTING BULLETIN BOARD AND PAMPHLET HOLDER ON EXISTING STUD WALL. COORDINATE LOCATION WITH OWNER.
 - OWNER'S EXISTING EQUIPMENT. OWNER TO RELOCATE AND INSTALL ITEMS.
 - COUNTER SUPPORT BRACKET. 48" O.C. MAX.
 - COMPUTER WORKSTATIONS CASEWORK. REFER TO SHEETS A8.1 & A8.2 FOR DETAILS.
 - OWNER PROVIDED TV. CONTRACTOR TO PROVIDE BLOCKING AND POWER. COORDINATE EXACT SIZE WITH OWNER FOR TOP OF TV TO ALIGN WITH TOP OF EXISTING WINDOWS.
 - NEW SLIDING GLASS RECEPTION WINDOW WITH LOCK, KV TRACK AND NYLON ROLLER. RECESS BOTTOM TRACK INTO COUNTERTOP.
 - CONTINUOUS CLEAT.
 - NEW MARKER BOARD. BASIS OF DESIGN: QUARTET PORCELAIN LONG WHITEBOARD, 144" x 48", MAGNETIC, ALUMINUM FRAME. SKU: PPA412.
 - NEW MANUAL WALL SCREEN. BASIS OF DESIGN: DA-LITE MODEL C W/CSR. DA-LITE NUMBER: 94359.54"x96", HC MATTE WHITE.

GENERAL NOTES

- EXAMPLE OF CASEWORK DIMENSIONS: (2436) INDICATES 24" WIDTH X 36" HEIGHT. FOR DEPTH REFER TO TYPICAL CASEWORK DETAILS U.N.O.
- PROVIDE 3/4" PLASTIC LAMINATE FILLER STRIP SCRIBE AGAINST FINISHED WALLS AT BASE AND WALL CABINETS. (F.S.)
- ALL BASE AND WALL CABINET (PL-1) U.N.O.
- INSTALL SOLID WOOD BLOCKING IN WALLS BEHIND WALL-MOUNTED ITEMS.
- REFER TO ELECTRICAL DRAWINGS FOR ELECTRICAL RECEPTACLE LOCATIONS.
- SEE SHEET A8.1 FOR TYPICAL CABINET SECTIONS AND DETAILS.
- ALL OUTSIDE CORNERS OF COUNTERTOPS SHALL PROJECT 1" PAST CABINET/SUPPORT AND SHALL HAVE 1 1/2" RADIUS CORNER.
- DESIGNATION (XX-X) REFERS TO FINISHES. REFER TO SPECIFICATIONS AND SHEET A0.4 FOR FINISH DESCRIPTION AND ABBREVIATIONS.
- ALL COUNTERTOPS 25" DEEP U.N.O.

APP Architecture
creative focused design

615 Woodside Drive, Englewood, Ohio 45322
T 937.836.8898 F 937.832.3696
www.app-arch.com

STATE OF OHIO REGISTERED ARCHITECT

MARIONNE L. WEBER
LICENSE #9675
EXPIRATION DATE 12/31/2025

DARKE COUNTY
**WAGNER AVENUE
INTERIOR RENOVATION**

631 WAGNER AVENUE, GREENVILLE, OHIO 45331

ISSUE		
NO.	DATE	DESCRIPTION
	03/27/2025	FOR PERMIT & BID

DATE	03/27/2025
JOB NO.	3961.05
DRAWN	MM / CMS
CHECKED	MS/MLW

COPYRIGHT © 2025 - App Architecture, Inc.
TITLE
INTERIOR ELEVATIONS

SHEET NO.
A7.1

1

2

3

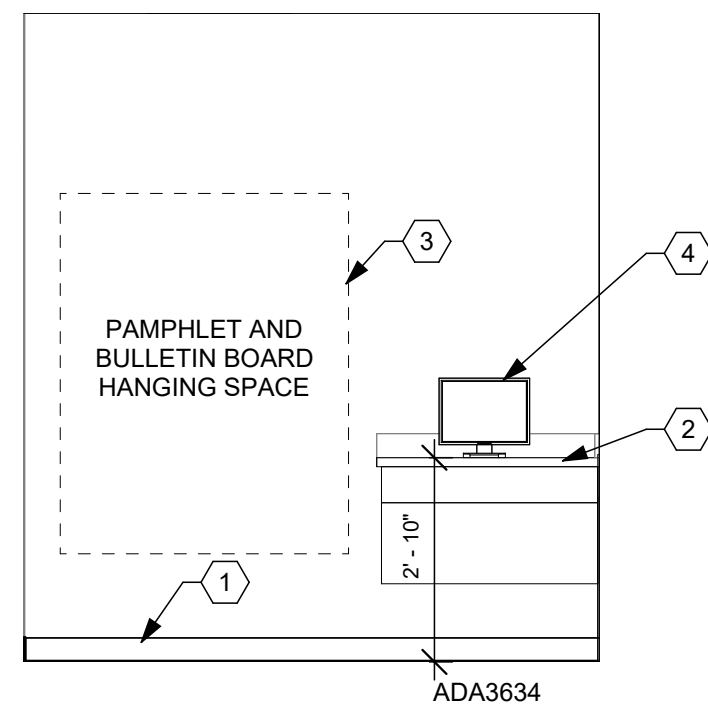
4

5

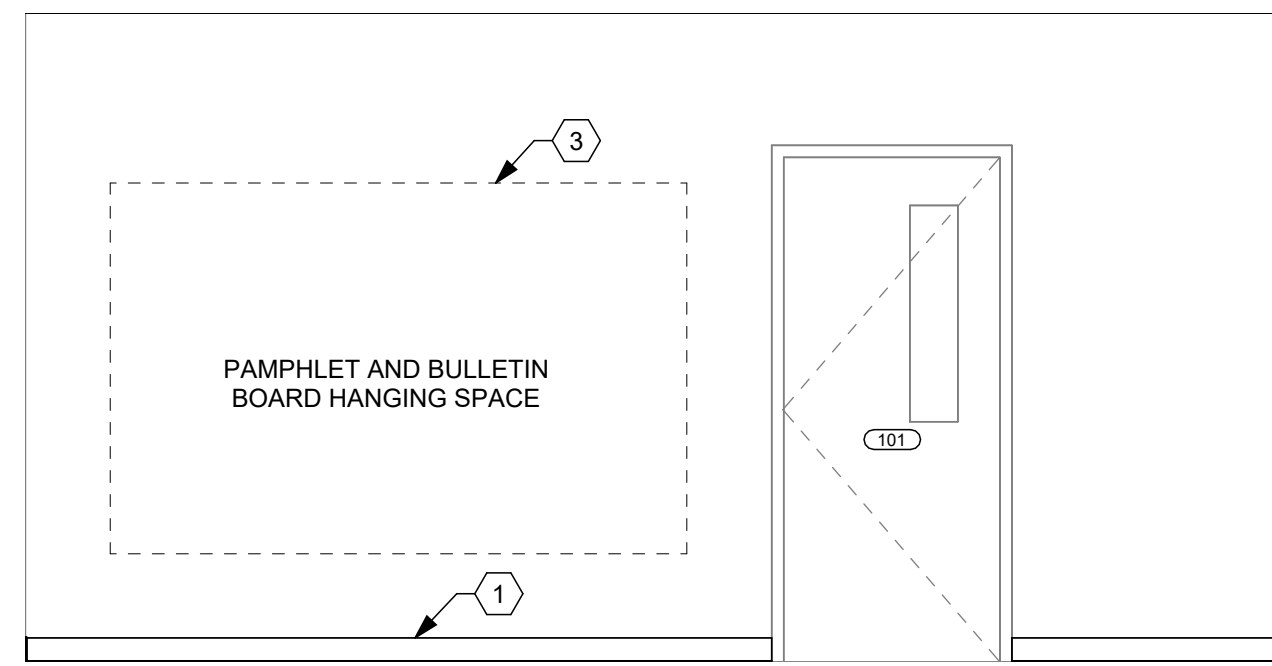
6

7

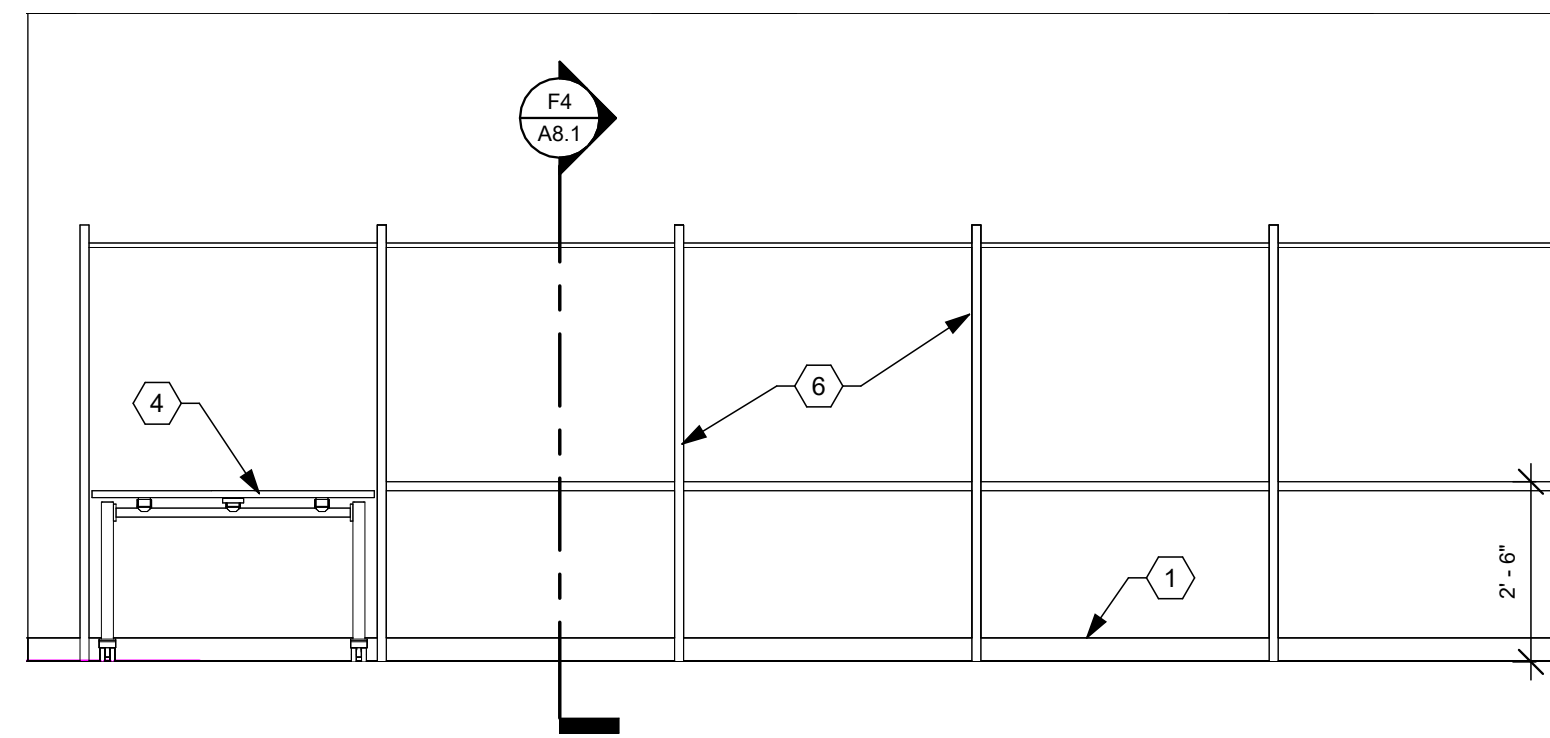
A



B2 101 LOBBY - EAST
3/8" = 1'-0"

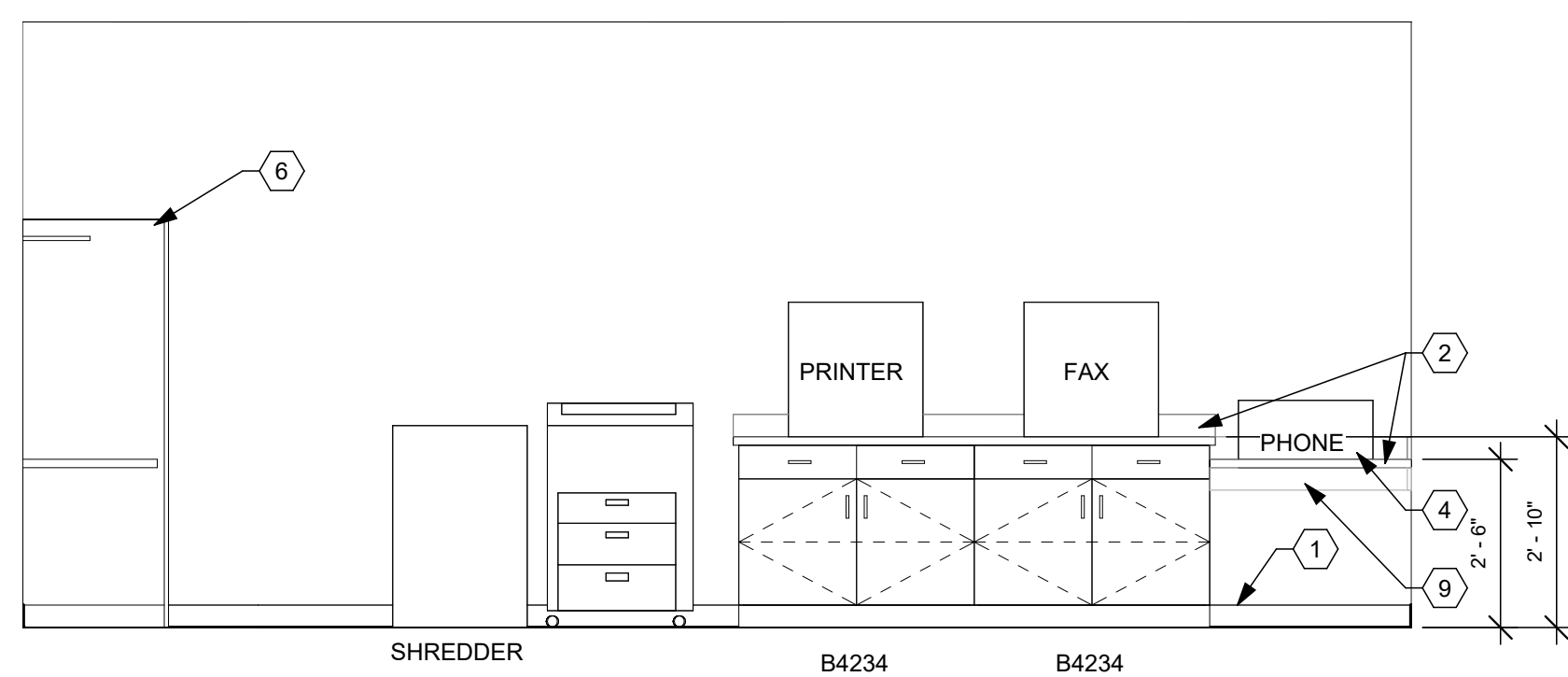


B3 101 LOBBY - NORTH (HANGING SPACE)
3/8" = 1'-0"

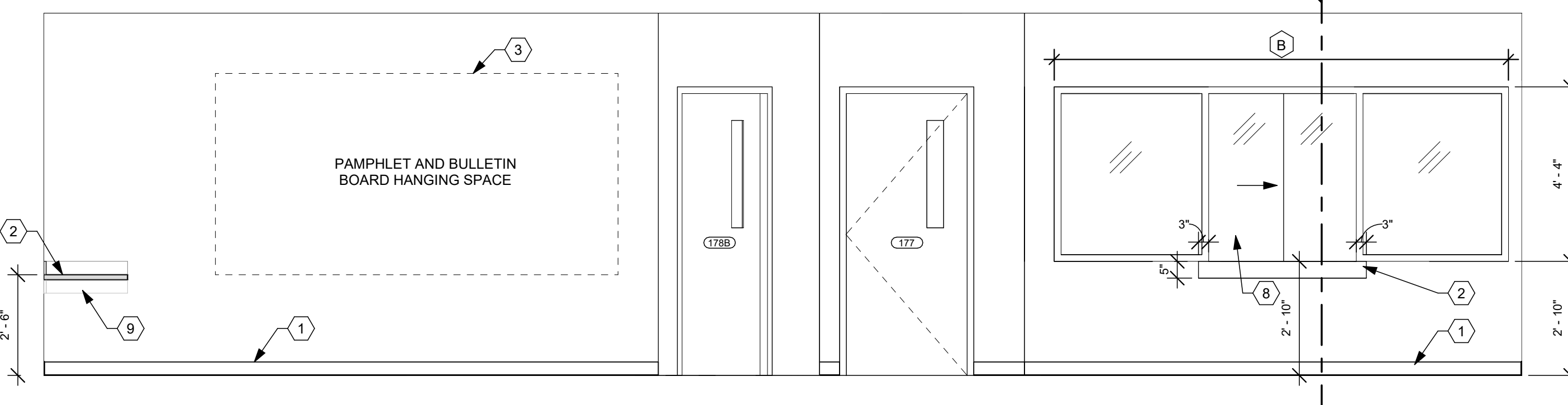


B4 101 LOBBY - NORTH
3/8" = 1'-0"

B



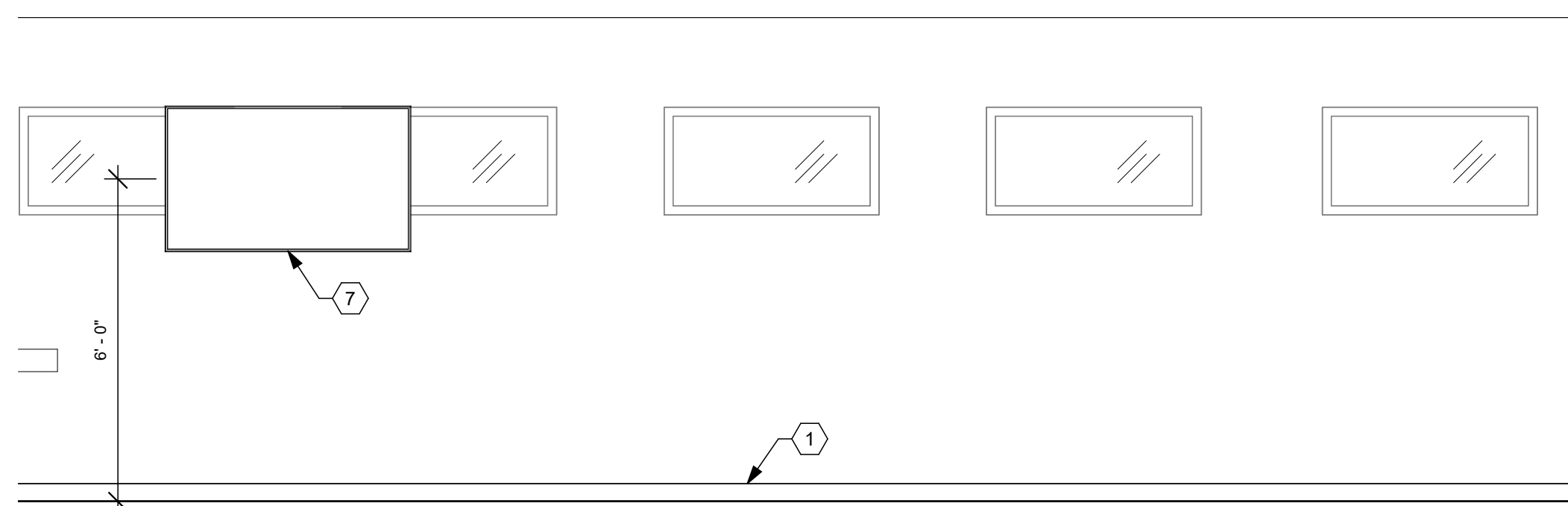
D1 101 LOBBY - EAST (COMPUTER STATIONS)
3/8" = 1'-0"



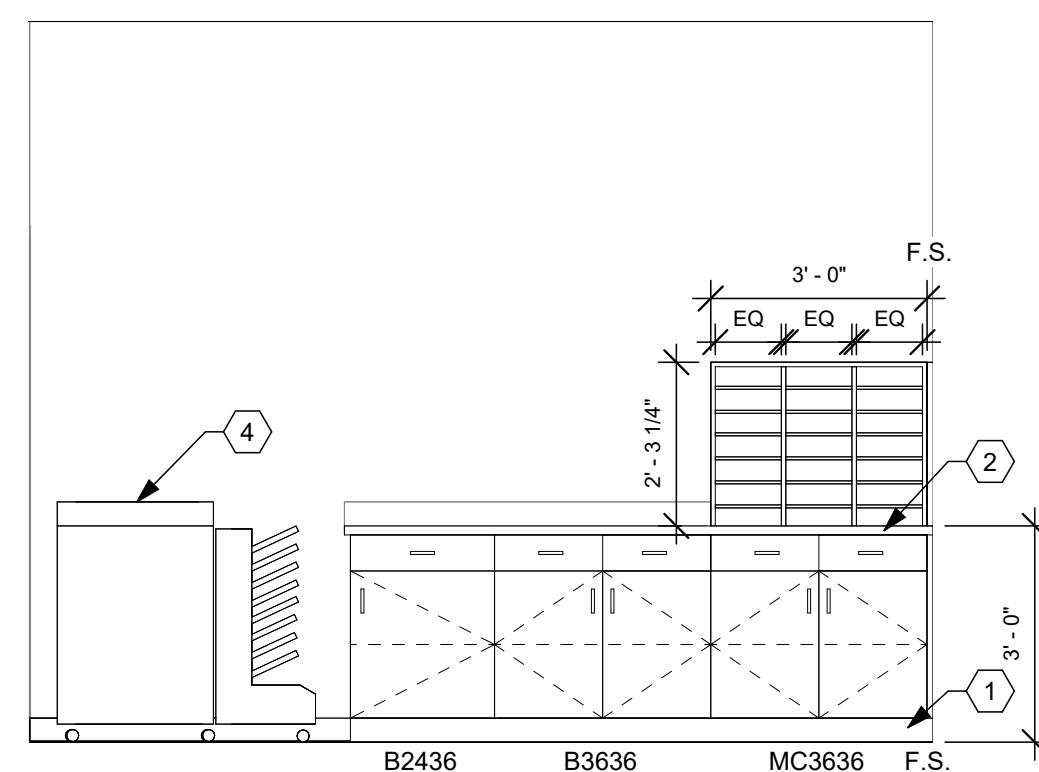
D3 101 LOBBY - SOUTH
3/8" = 1'-0"

C

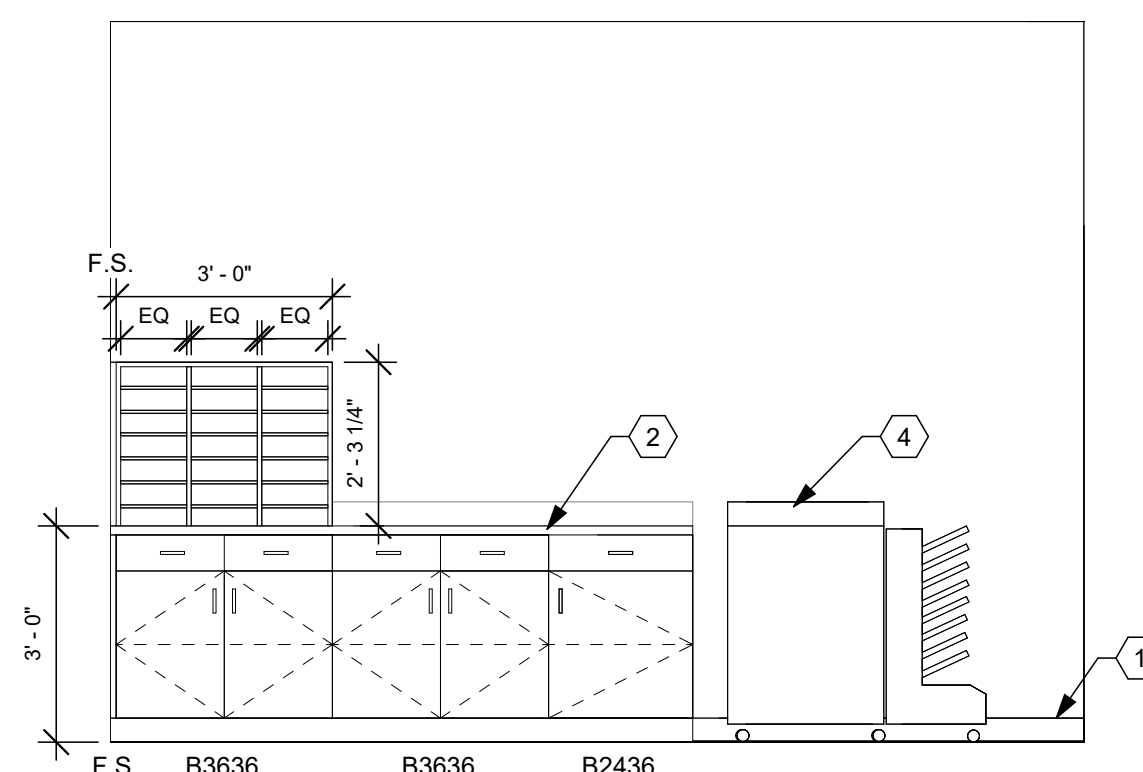
D



E1 101 LOBBY - WEST
3/8" = 1'-0"



E3 130 CORRIDOR - NORTH
3/8" = 1'-0"



E5 130 CORRIDOR - COPY STATION - NORTH
3/8" = 1'-0"

E

F

CONSTRUCTION NOTES

- 00 INDICATES CONSTRUCTION NOTE.
- 1 BASE. REFER TO FINISH SCHEDULE.
- 2 (PL-2) COUNTERTOP.
- 3 CONTRACTOR TO INSTALL EXISTING BULLETIN BOARD AND PAMPHLET HOLDER ON EXISTING STUD WALL. COORDINATE LOCATION WITH OWNER.
- 4 OWNER'S EXISTING EQUIPMENT. OWNER TO RELOCATE AND INSTALL ITEMS.
- 5 COUNTER SUPPORT BRACKET. 48" O.C. MAX.
- 6 COMPUTER WORKSTATIONS CASEWORK. REFER TO SHEETS A8.1 & A8.2 FOR DETAILS.
- 7 OWNER PROVIDED TV. CONTRACTOR TO PROVIDE BLOCKING AND POWER. COORDINATE EXACT SIZE WITH OWNER FOR TOP OF TV TO ALIGN WITH TOP OF EXISTING WINDOWS.
- 8 NEW SLIDING GLASS RECEPTION WINDOW WITH LOCK, KV TRACK AND NYLON ROLLER. RECESS BOTTOM TRACK INTO COUNTERTOP.
- 9 CONTINUOUS CLEAT.
- 10 NEW MARKER BOARD. BASIS OF DESIGN: QUARTET PORCELAIN LONG WHITEBOARD, 144" x 48", MAGNETIC, ALUMINUM FRAME. SKU: PPA412.
- 11 NEW MANUAL WALL SCREEN. BASIS OF DESIGN: DA-LITE MODEL C W/CSR. DA-LITE NUMBER: 94359.54"x96", HC MATTE WHITE.

GENERAL NOTES

- A. EXAMPLE OF CASEWORK DIMENSIONS: (2436) INDICATES 24" WIDTH X 36" HEIGHT. FOR DEPTH REFER TO TYPICAL CASEWORK DETAILS U.N.O.
- B. PROVIDE 3/4" PLASTIC LAMINATE FILLER STRIP SCRIBE AGAINST FINISHED WALLS AT BASE AND WALL CABINETS. (F.S.)
- C. ALL BASE AND WALL CABINET (PL-1) U.N.O.
- D. INSTALL SOLID WOOD BLOCKING IN WALLS BEHIND WALL-MOUNTED ITEMS.
- E. REFER TO ELECTRICAL DRAWINGS FOR ELECTRICAL RECEPTACLE LOCATIONS.
- F. SEE SHEET A8.1 FOR TYPICAL CABINET SECTIONS AND DETAILS.
- G. ALL OUTSIDE CORNERS OF COUNTERTOPS SHALL PROJECT 1" PAST CABINET/SUPPORT AND SHALL HAVE 1 1/2" RADIUS CORNER.
- H. DESIGNATION (XX-X) REFERS TO FINISHES. REFER TO SPECIFICATIONS AND SHEET A0.4 FOR FINISH DESCRIPTION AND ABBREVIATIONS.
- I. ALL COUNTERTOPS 25" DEEP U.N.O.

APP Architecture
creative focused design

615 Woodside Drive, Englewood, Ohio 45322
T 937.836.8898 F 937.832.3696
www.app-arch.com

STATE OF OHIO
MARIANNE L. WEBER
REGISTERED ARCHITECT
9675

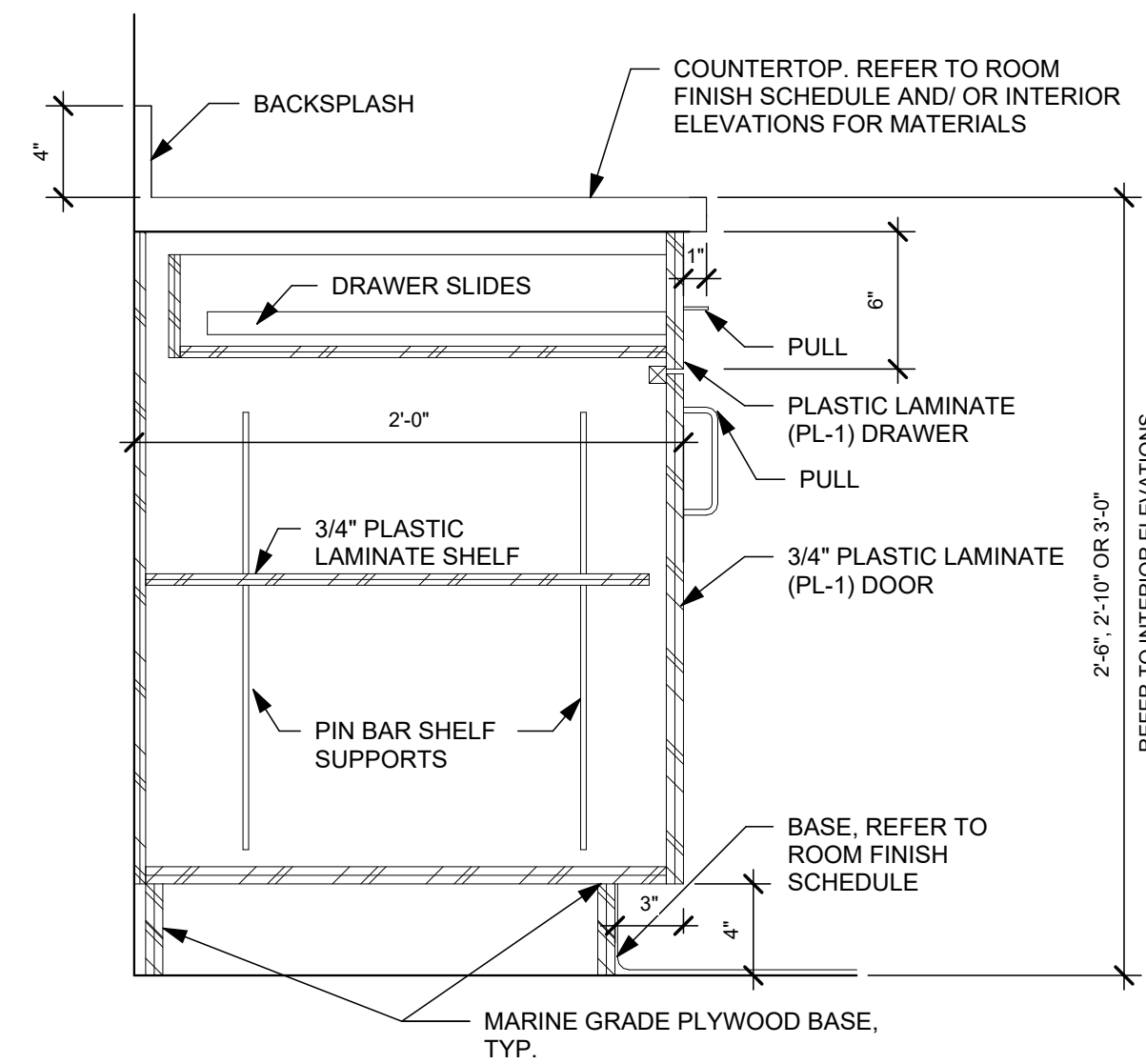
Marianne L. Weber, License #9675
Expiration Date 12/31/2025

DARKE COUNTY
**WAGNER AVENUE
INTERIOR RENOVATION**

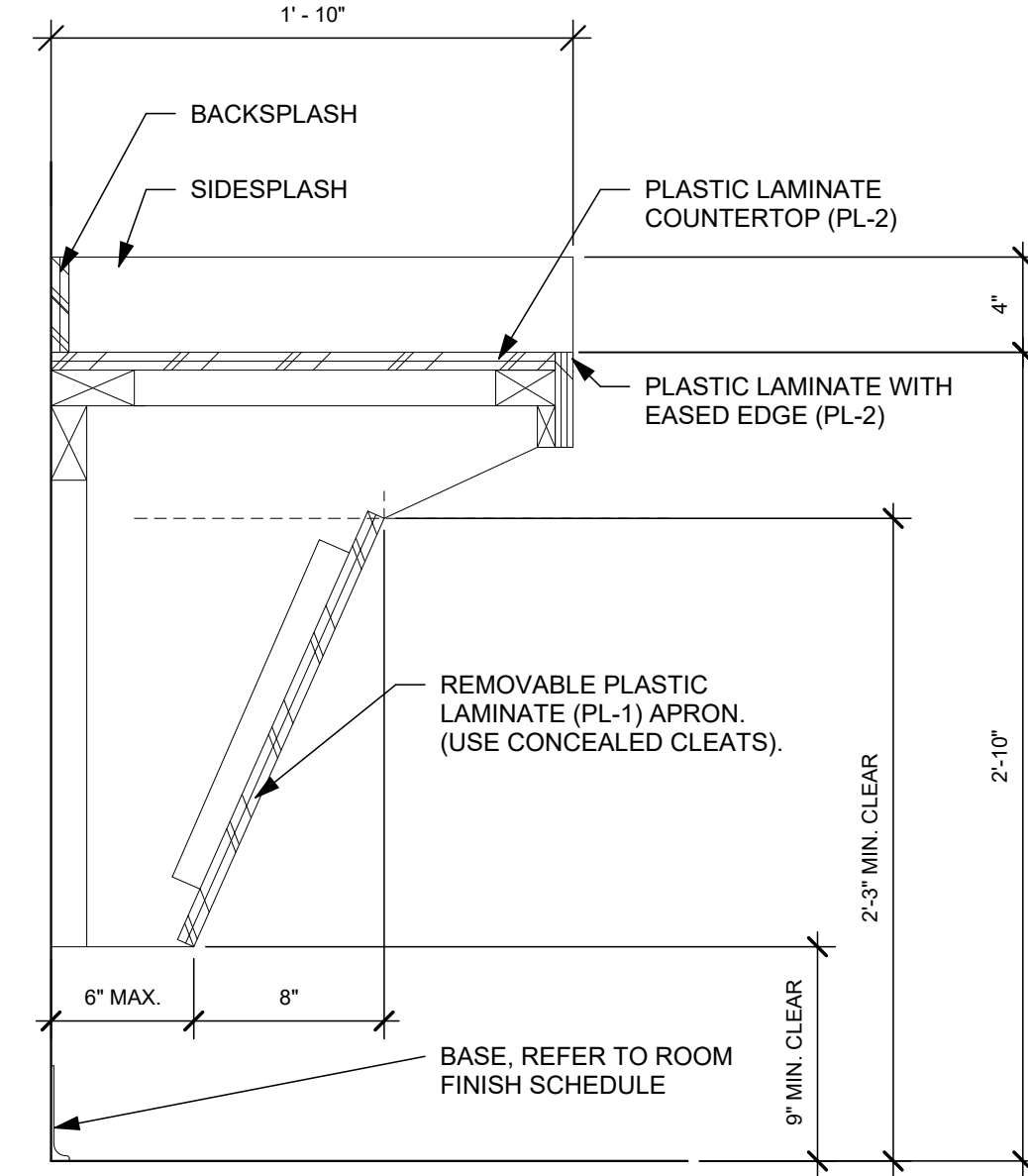
631 WAGNER AVENUE, GREENVILLE, OHIO 45331

ISSUE	
NO.	DESCRIPTION
03/27/2025	FOR PERMIT & BID

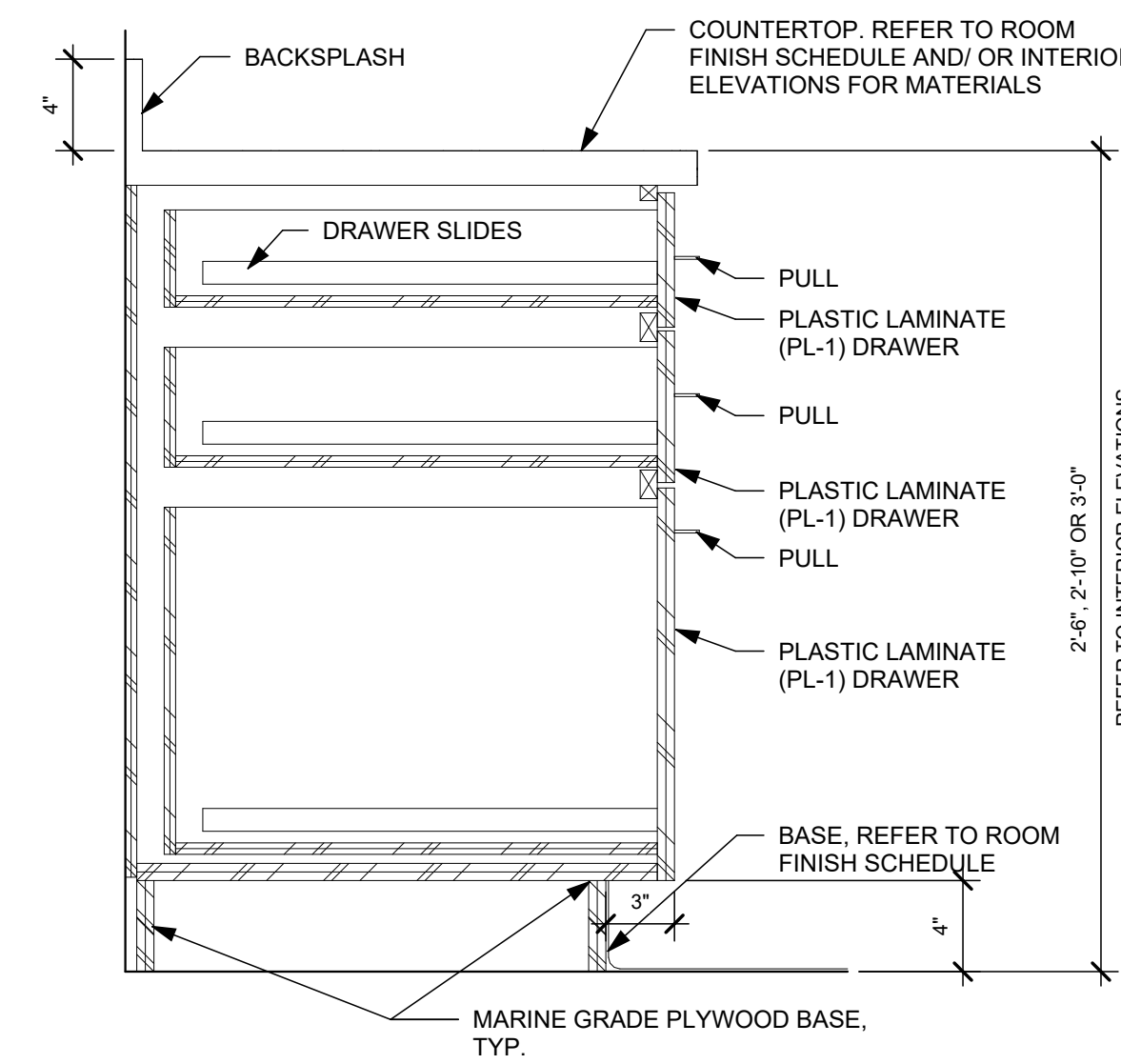
DATE	03/27/2025
JOB NO.	3961.05
DRAWN	MM / CMS
CHECKED	MS/MLW
COPYRIGHT © 2025 - App Architecture, Inc.	
TITLE INTERIOR ELEVATIONS	
SHEET NO. A7.2	



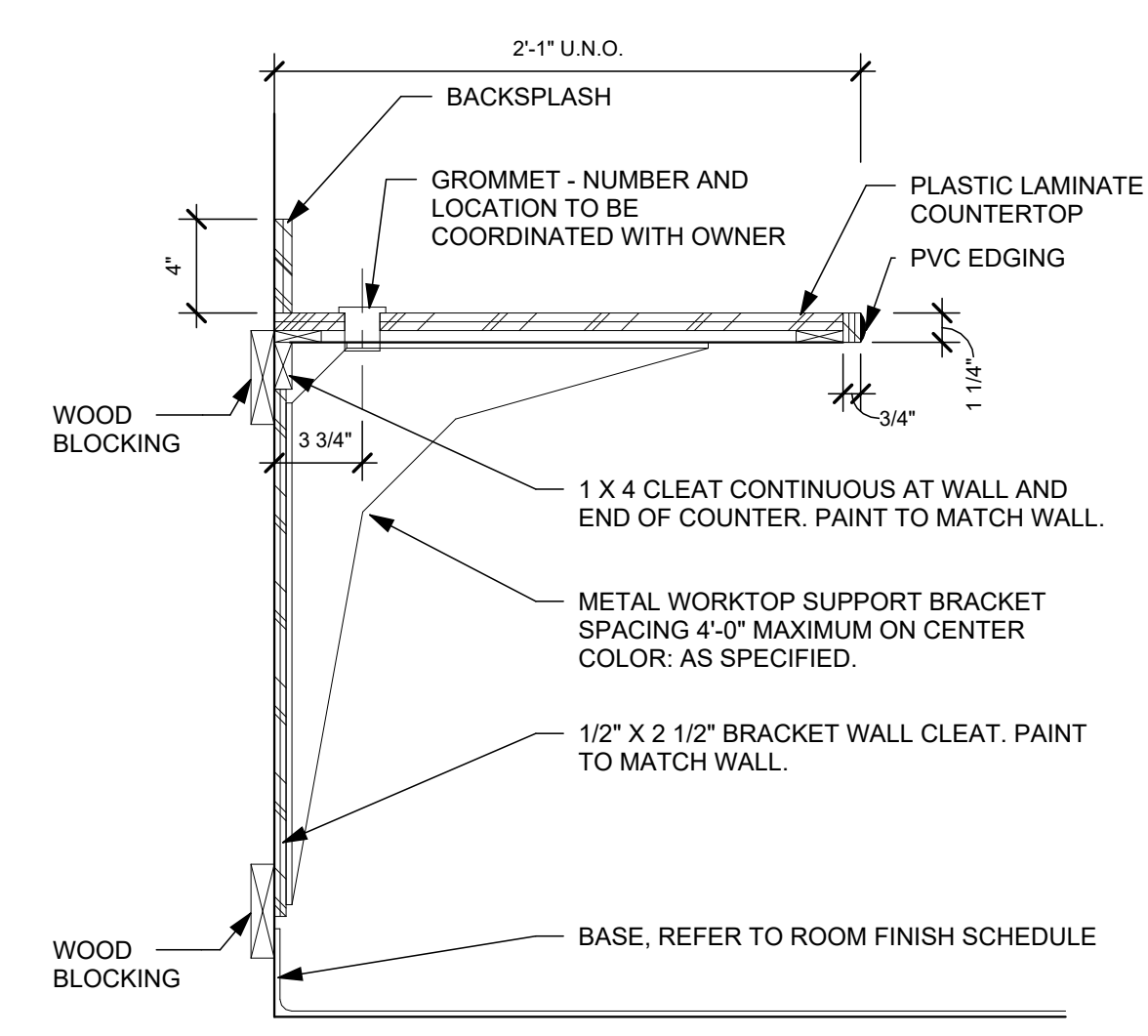
C1 BASE CABINET (B) DETAIL
1 1/2" = 1'-0"



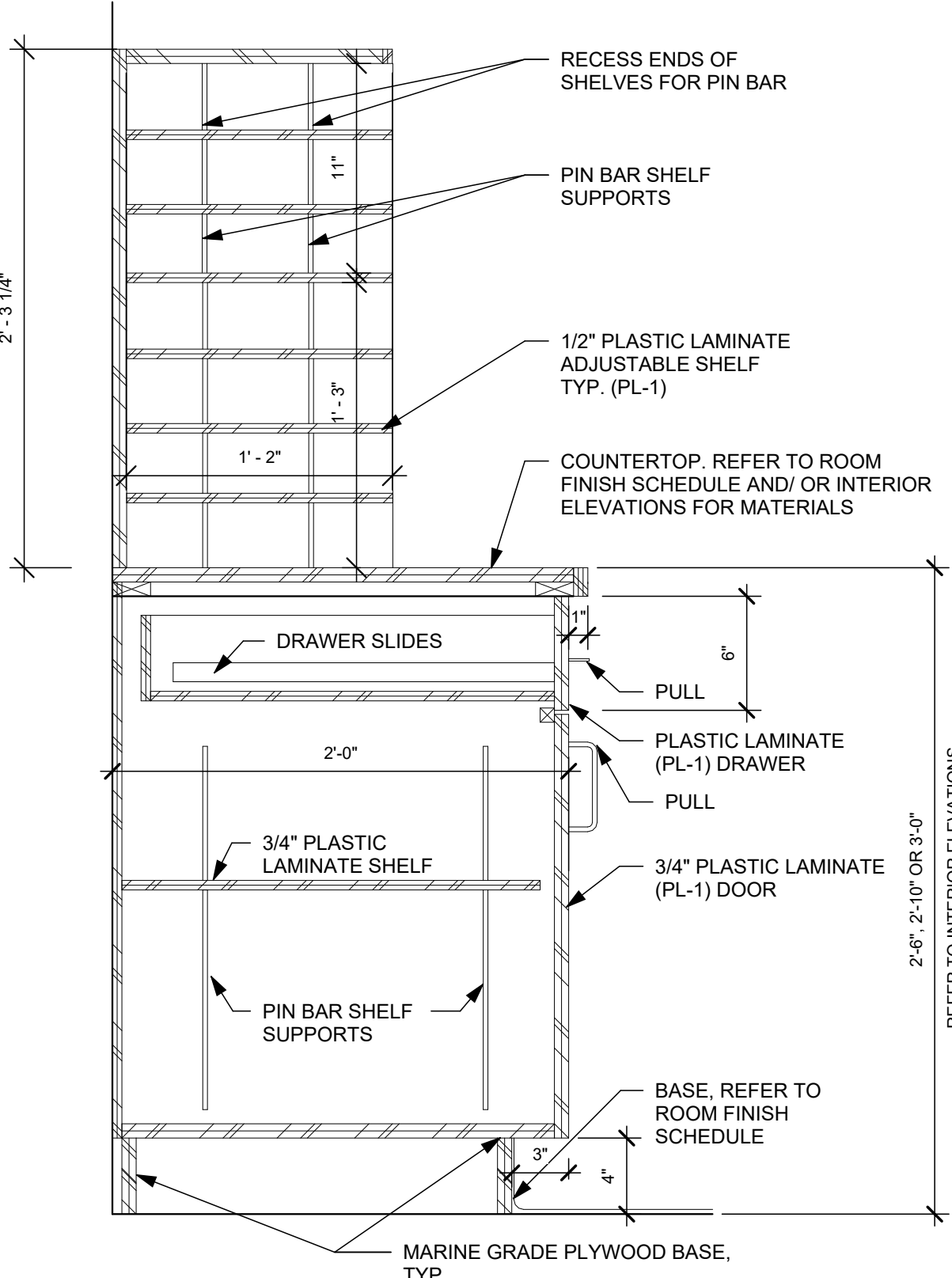
C2 ADA COUNTER (ADA) DETAIL
1 1/2" = 1'-0"



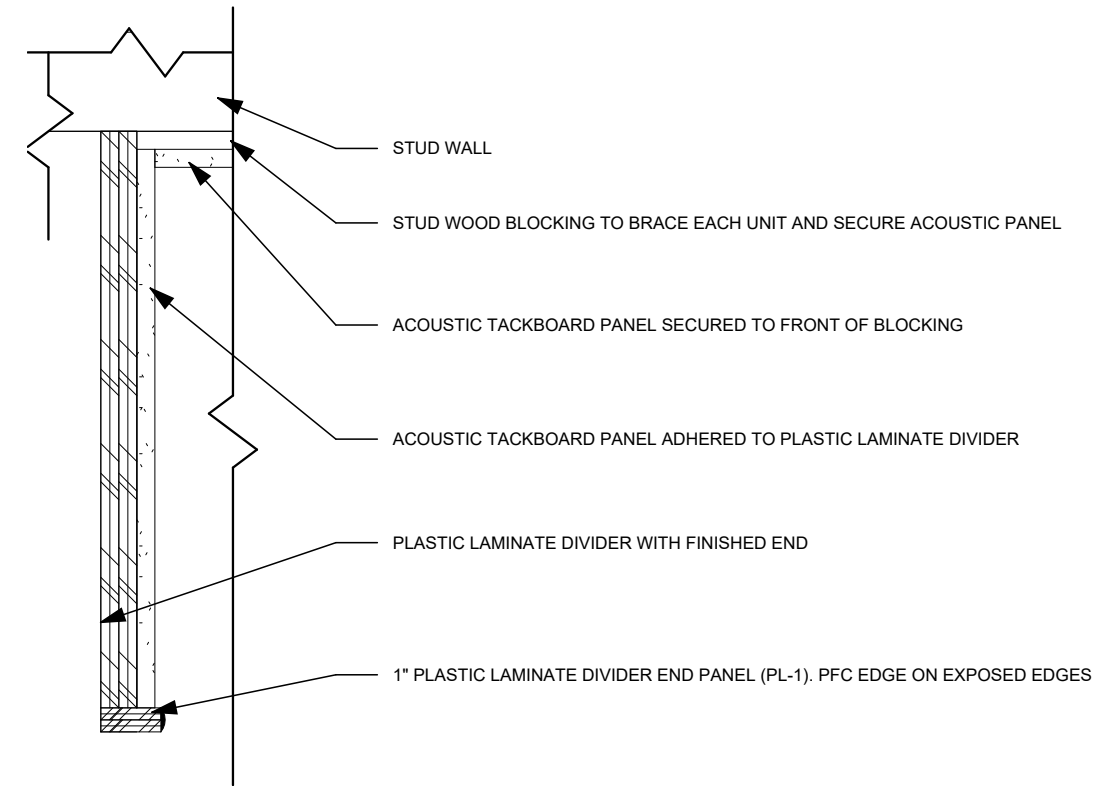
C4 3 DRAWER BASE CABINET (3BD) DETAIL
1 1/2" = 1'-0"



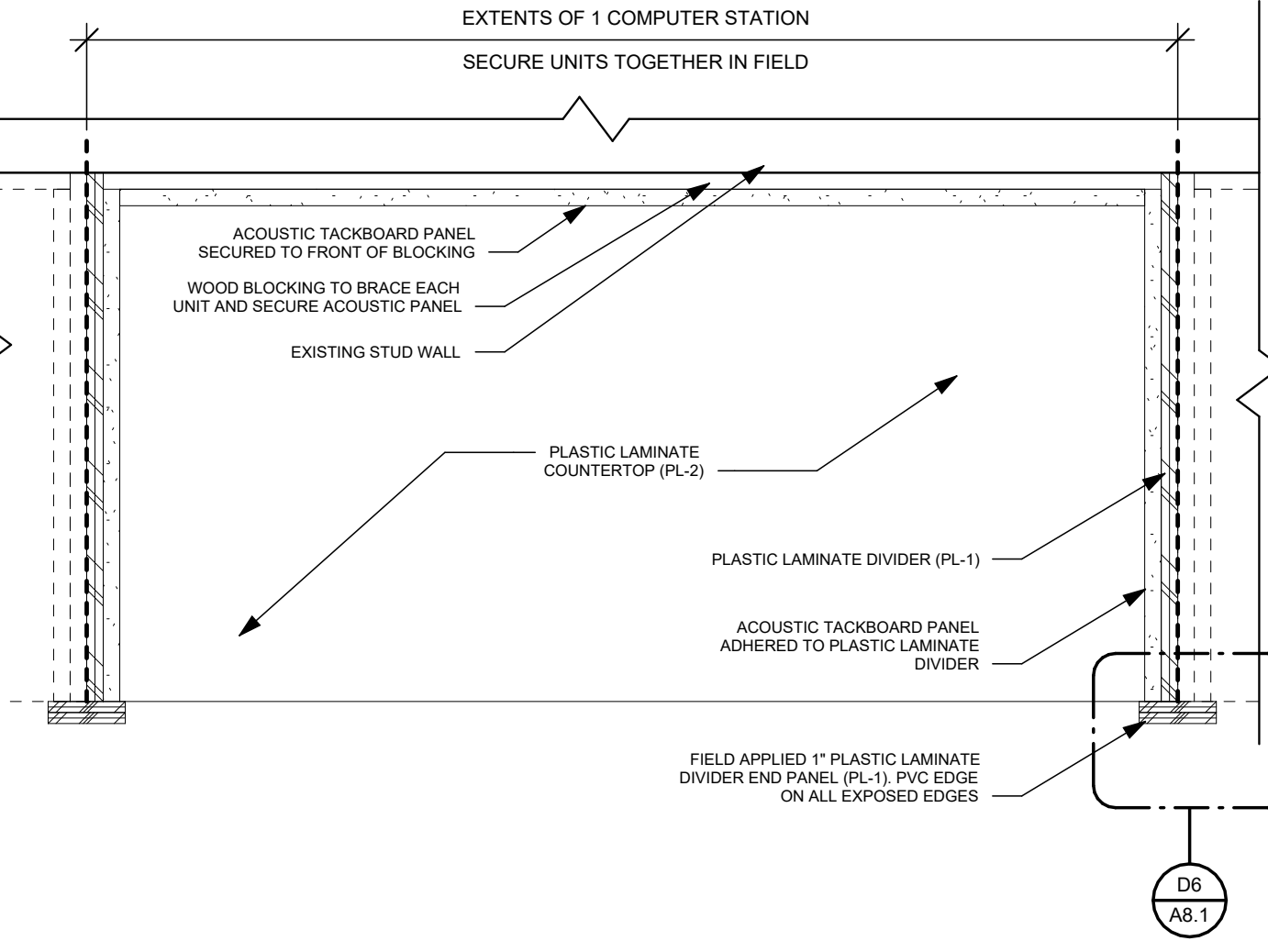
C6 TYP. WORK SURFACE DETAIL
1 1/2" = 1'-0"



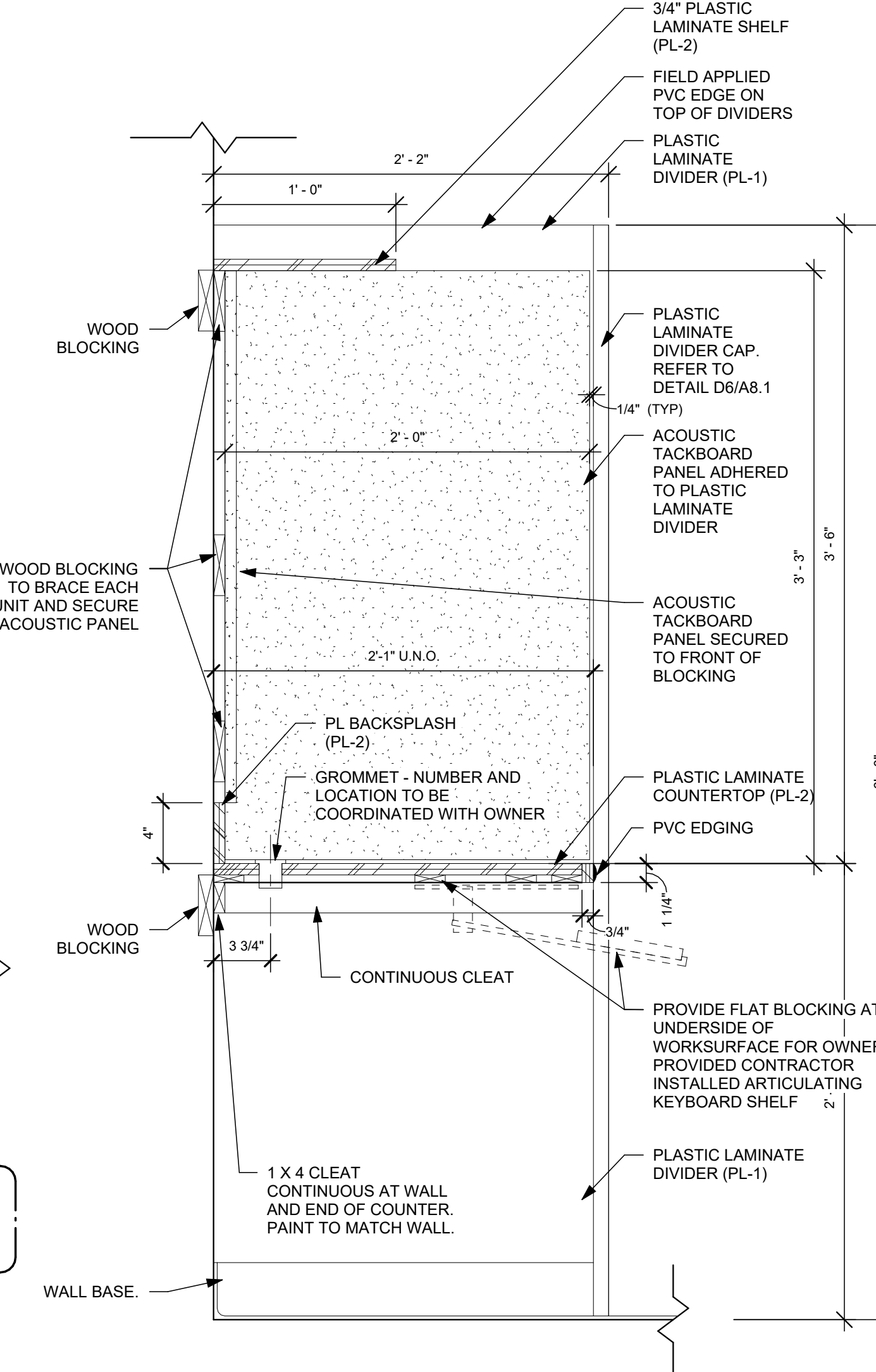
F1 MAIL SLOT CABINET (MC) DETAIL
1 1/2" = 1'-0"



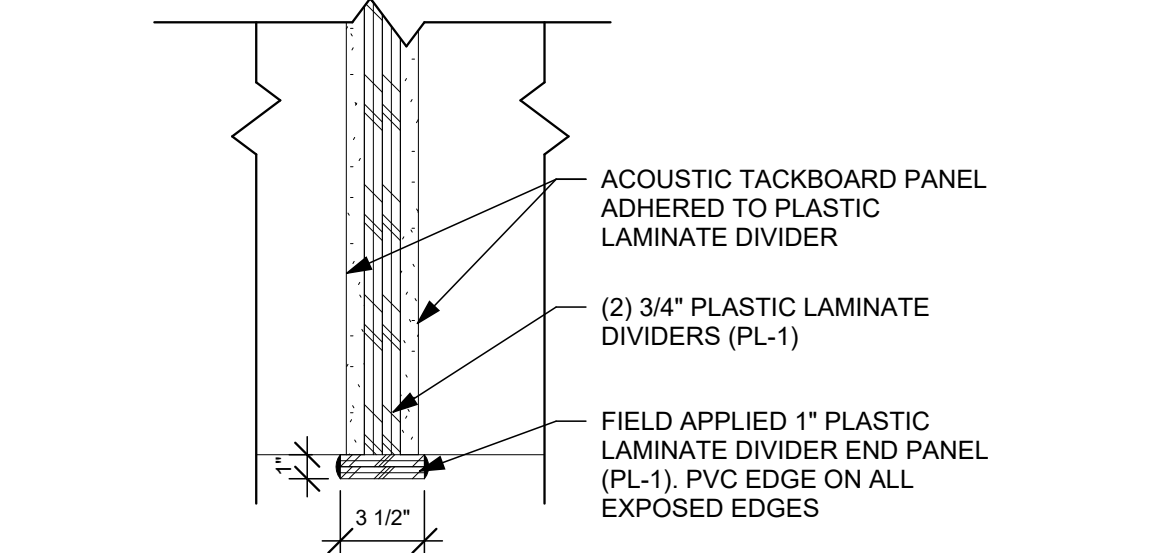
D2 COMPUTER WORKSTATION END PANEL DETAIL
1 1/2" = 1'-0"



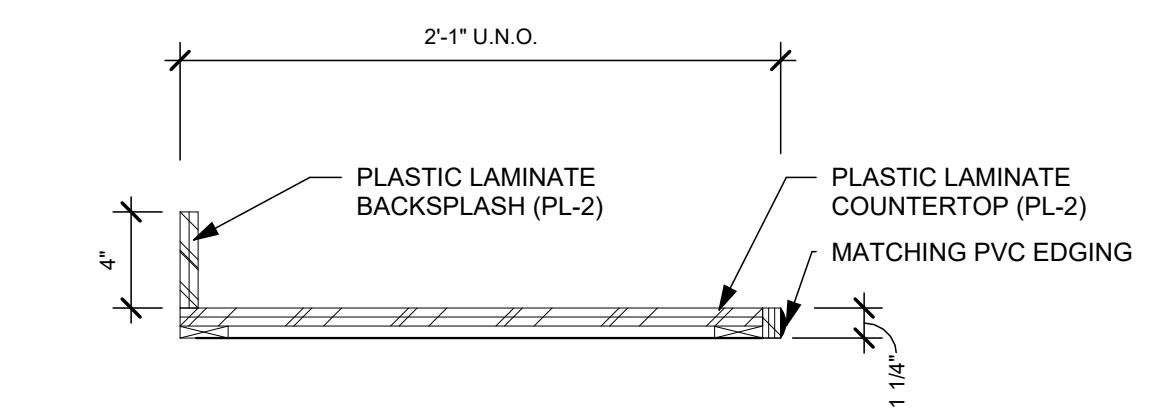
F2 COMPUTER WORKSTATION PLAN
1 1/2" = 1'-0"



F4 COMPUTER WORKSTATION DETAIL
1 1/2" = 1'-0"



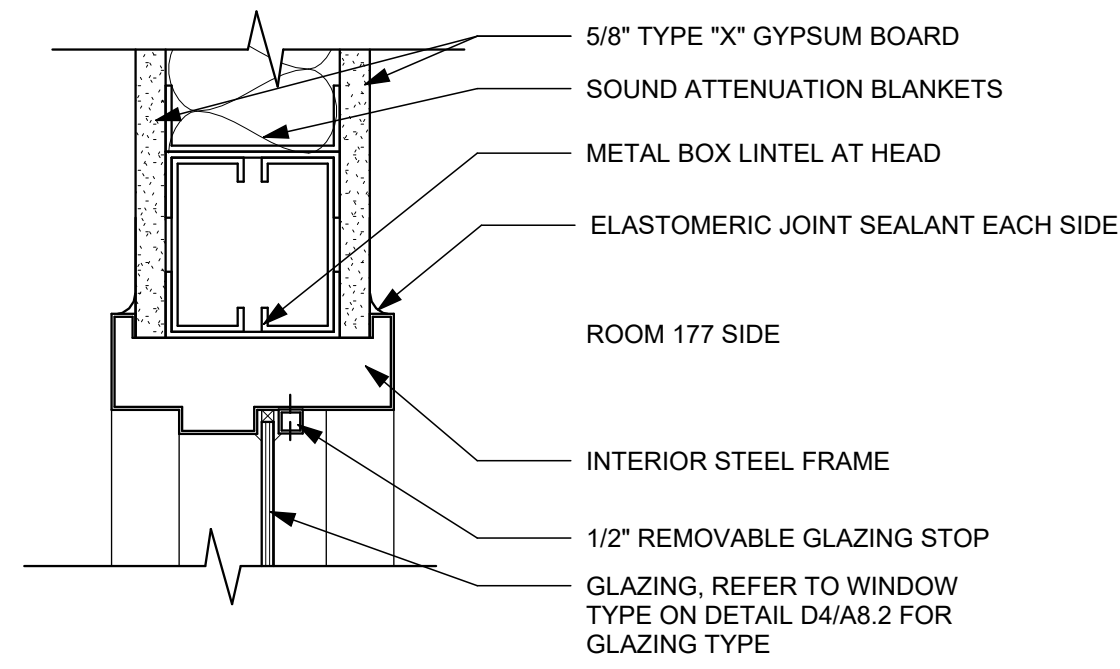
D6 COMPUTER WORKSTATION DIVIDER END CAP
1 1/2" = 1'-0"



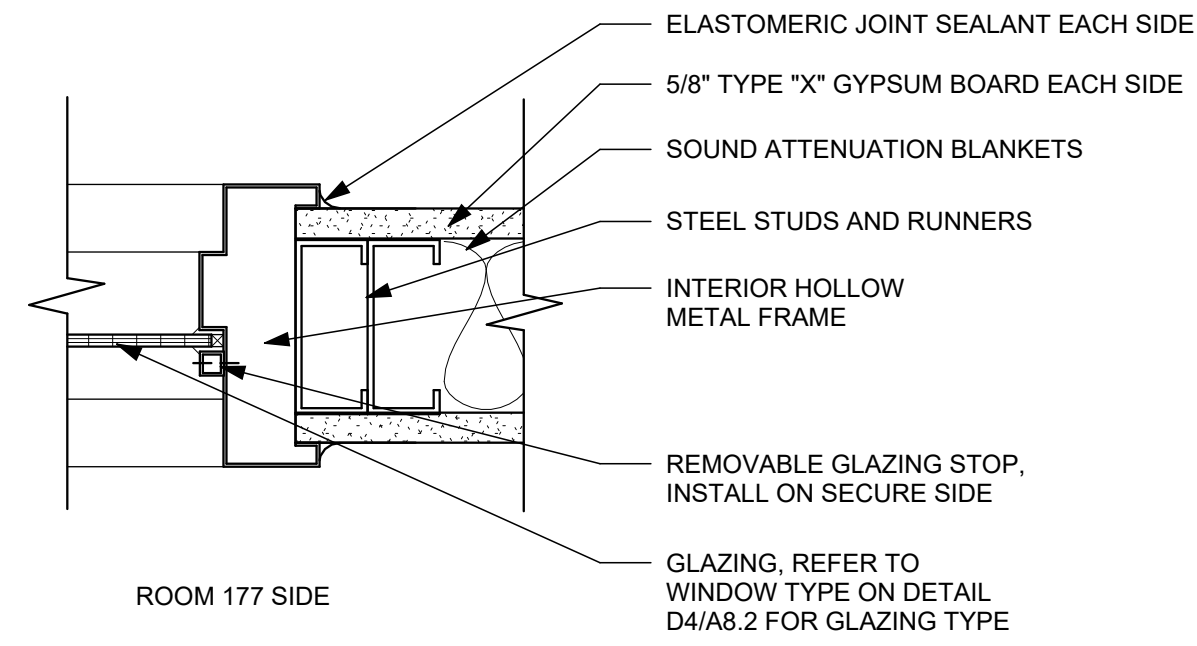
F6 TYP. COUNTER DETAILS
1 1/2" = 1'-0"

NO.	DATE	DESCRIPTION
	03/27/2025	FOR PERMIT & BID

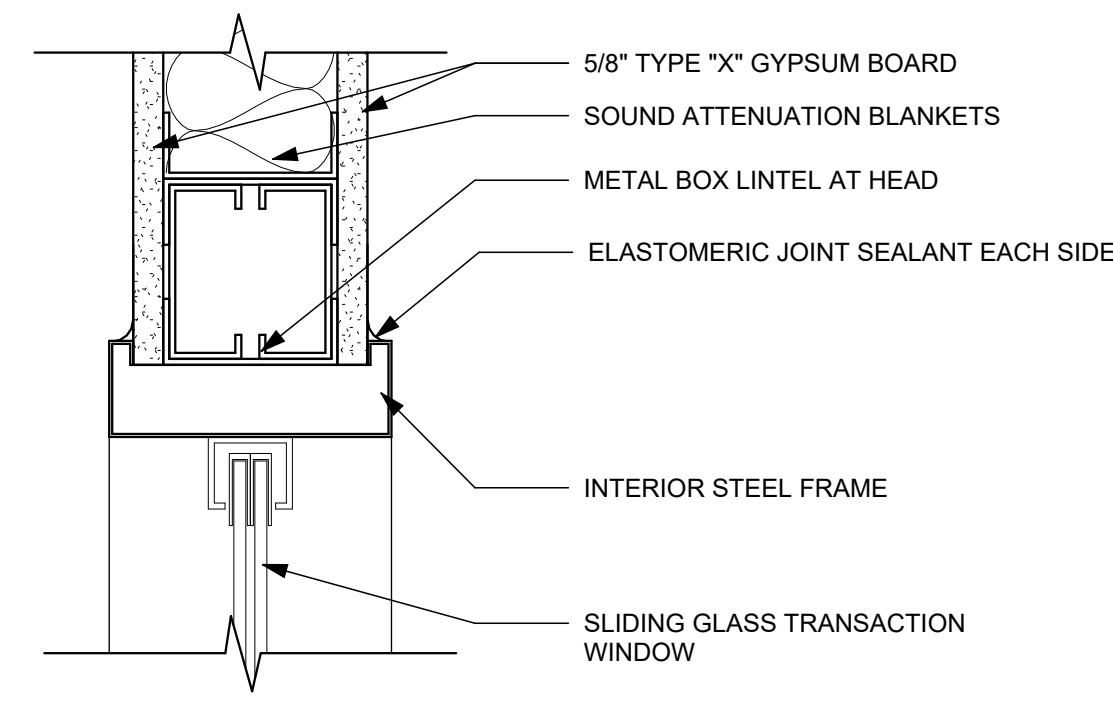
DATE	03/27/2025
JOB NO.	3961.05
DRAWN	MM / MS
CHECKED	MS/MLW
COPYRIGHT © 2025 - App Architecture, Inc.	
TITLE CASEWORK DETAILS	



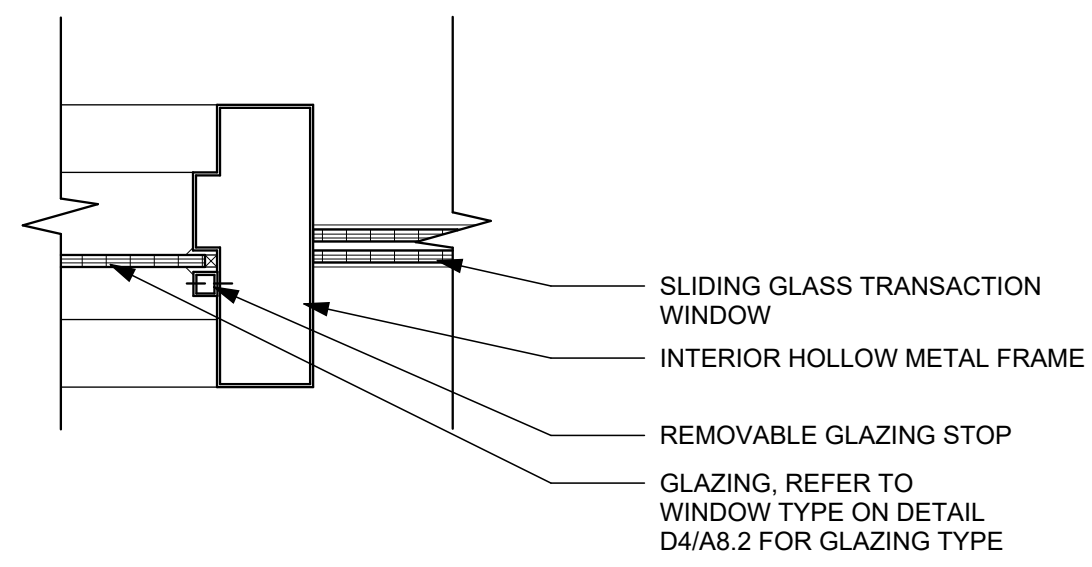
B1 HM WINDOW HEAD DETAIL
3" = 1'-0"



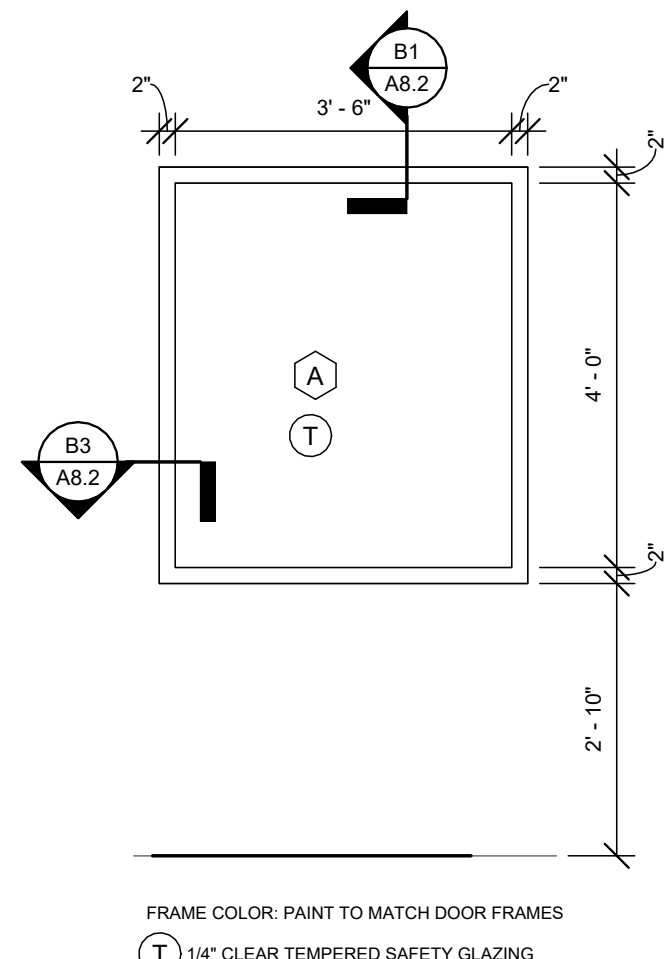
B3 HM WINDOW JAMB DETAIL
3" = 1'-0"



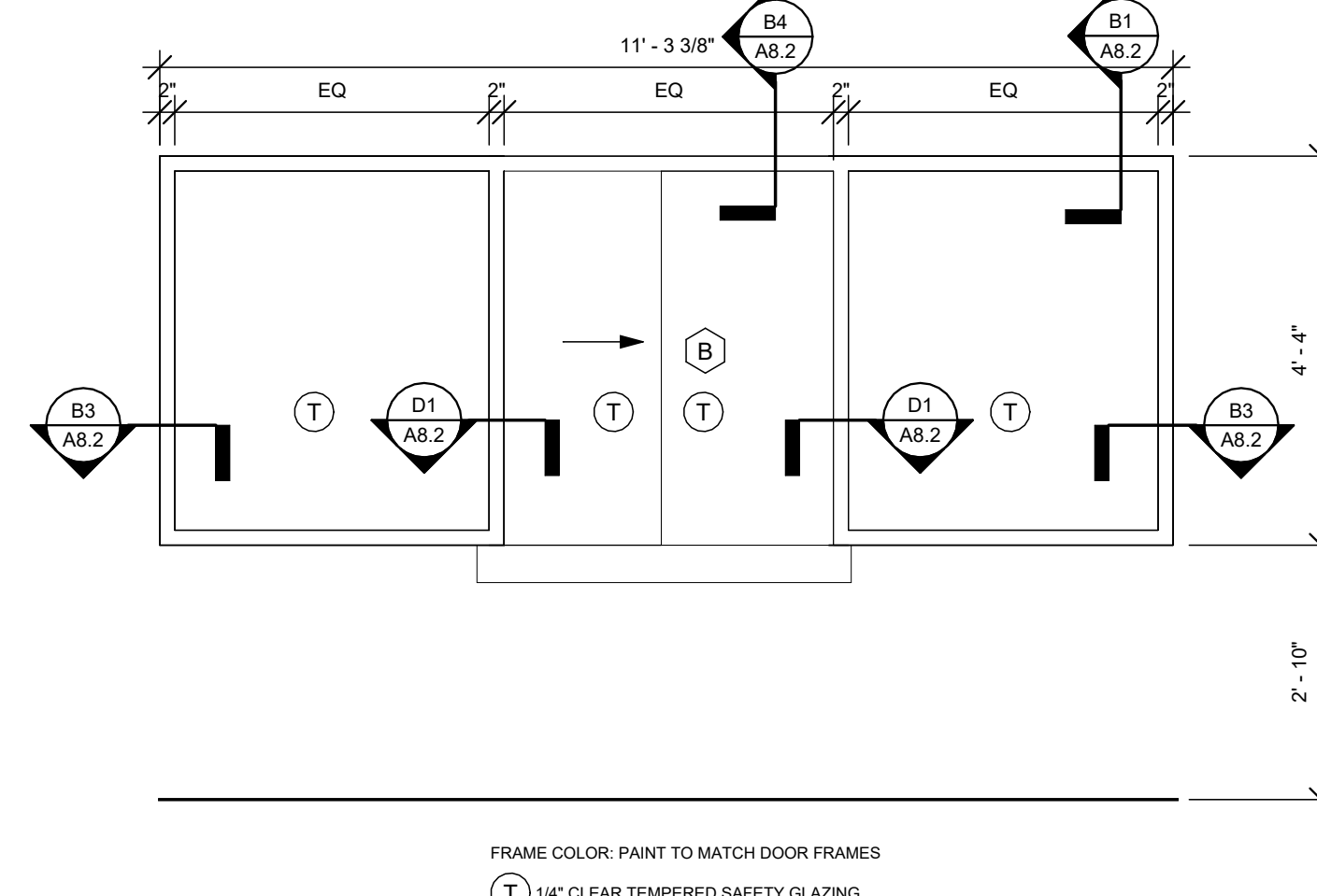
B4 TRANSACTION WINDOW HEAD DETAIL
3" = 1'-0"



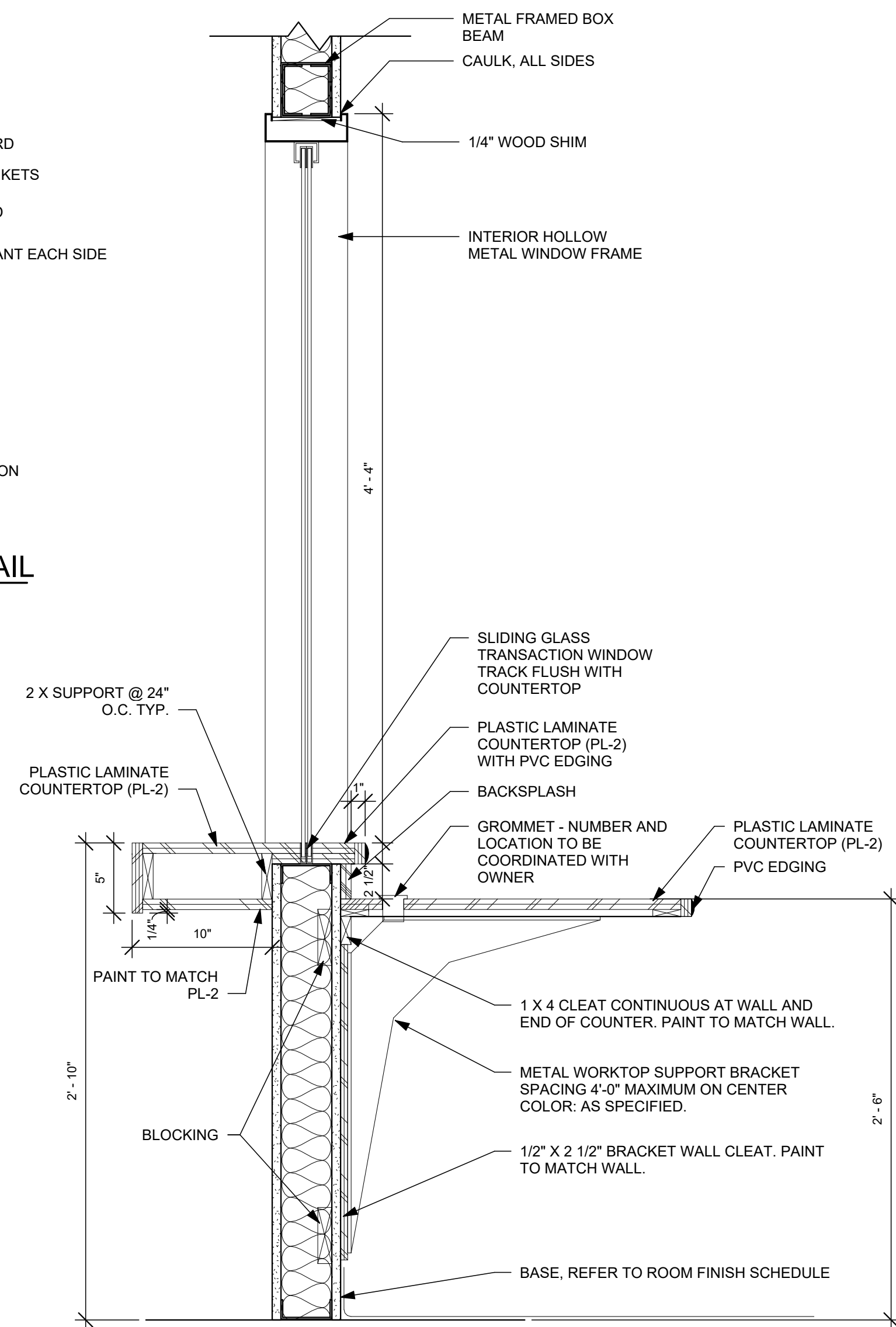
D1 HM WINDOW JAMB DETAIL
3" = 1'-0"



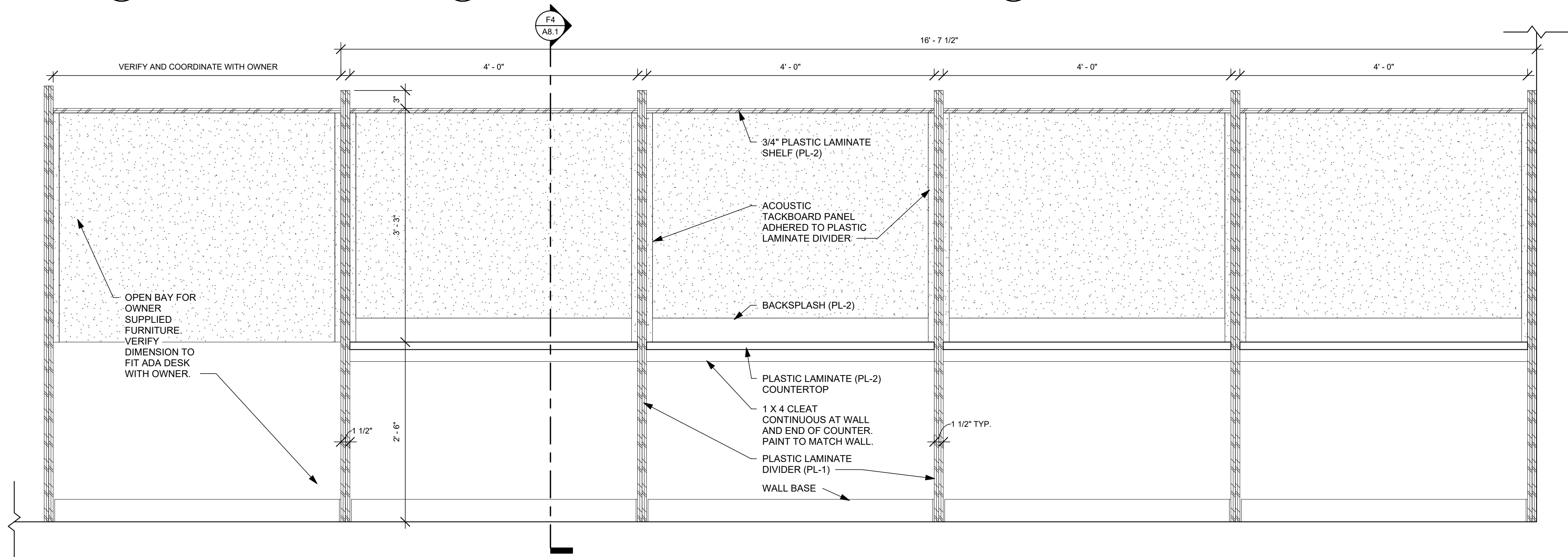
D3 WINDOW TYPE A
1/2" = 1'-0"



D4 WINDOW TYPE B
1/2" = 1'-0"



D6 RECEPTION DESK SECTION
1 1/2" = 1'-0"



F1 COMPUTER WORKSTATION DETAIL - ELEVATION
1" = 1'-0"

ISSUE		
NO.	DATE	DESCRIPTION
	03/27/2025	FOR PERMIT & BID

DATE	03/27/2025
JOB NO.	3961.05
DRAWN	MM / CMS
CHECKED	MS/MLW

COPYRIGHT © 2025 - App Architecture, Inc.
TITLE
CASEWORK DETAILS

1 2 3 4 5 6 7

A B C D E F

CONSTRUCTION NOTES

1. AREA OF RENOVATION, NEW WALLS, AND/OR CEILING MODIFICATION/NEW LIGHT FIXTURE LOCATIONS, MODIFY SYSTEM AND HEAD LOCATIONS AS NEEDED.

GENERAL NOTES

A. PROVIDE A COMPLETE SPRINKLER SYSTEM THROUGHOUT THE RENOVATED AREA.

B. ALL WORK SHALL BE IN ACCORDANCE WITH THE 2024 VERSION OF THE OHIO BUILDING CODE, INCLUDING REFERENCED CODES AND STANDARDS.

C. ALL FIRE SUPPRESSION EQUIPMENT SHALL BE UL LISTED FOR FIRE SUPPRESSION SERVICE.

D. ALL FIRE SUPPRESSION SYSTEMS (SERVICE MAIN, FIRE DEPT. CONNECTION, SPRINKLER SYSTEM, INSPECTOR TEST, DRAIN, ETC.) SHALL BE HYDROSTATICALLY TESTED AT 200 PSI FOR 2 HOURS WITH NO VISIBLE LEAKAGE. ALL CONCEALED PIPING SHALL BE AIR TESTED, WITH NO LEAKAGE, PRIOR TO FILLING SYSTEM WITH WATER. THE FIRE PROTECTION CONTRACTOR SHALL NOTIFY ALL AUTHORITIES HAVING JURISDICTION 24 HOURS PRIOR TO THE TEST TO ALLOW AHJ TO WITNESS ALL TESTS.

E. ANY NEW VALVES CONTROLLING WATER SUPPLIES SHALL BE PROVIDED WITH TAMPER SWITCHES (SEE NOTE E).

F. THE FIRE SPRINKLER SYSTEM SHALL BE SUPERVISED BY AN APPROVED CENTRAL STATION FIRE ALARM SYSTEM IN ACCORDANCE WITH O.B.C. AND N.F.P.A. 72.

G. THE FIRE SUPPRESSION CONTRACTOR SHALL COORDINATE WIRING OF ELECTRICAL FIRE SUPPRESSION DEVICES AND EQUIPMENT WITH THE ELECTRICAL AND/OR FIRE ALARM CONTRACTOR. ALL FIRE ALARM WIRING BY ELECTRICAL CONTRACTOR. ALL DEVICES SHALL BE FURNISHED AND INSTALLED BY THE FIRE SUPPRESSION CONTRACTOR.

H. THE FIRE SUPPRESSION CONTRACTOR SHALL COORDINATE THE LAYOUT OF THE FIRE SUPPRESSION SYSTEM WITH ALL TRADES PRIOR TO INSTALLATION.

I. THE FIRE SUPPRESSION CONTRACTOR SHALL CENTER (WITHIN 1") ALL CONCEALED SPRINKLER HEADS INSTALLED IN ACOUSTICAL LAY-IN CEILING TILES. ALL PENDENT SPRINKLER HEADS IN CEILINGS SHALL BE SYMMETRICAL WITH LIGHTING AND AIR DEVICES.

J. CONCEALED, NONCOMBUSTIBLE ATTIC SPACES DO NOT REQUIRE SPRINKLERS.

K. FINAL APPROVAL IS SUBJECT TO ACCEPTANCE AND TESTING BY ALL AHJ.

FIRE SUPPRESSION PIPING

GENERAL NOTES:

PIPING SHALL CONFORM TO OBC REQUIREMENTS.

PIPING INSTALLATION AND TESTING SHALL COMPLY WITH NFPA 13 (2016 EDITION).

PROVIDE PIPING SLEEVES AT WALLS IN NEW CONSTRUCTION.

PIPING SHALL BE PITCHED FOR DRAINAGE.

PROVIDE DIELECTRIC FITTINGS FOR TRANSITIONS BETWEEN FERROUS AND NON-FERROUS PIPING SYSTEMS.

CLOSE OPEN ENDS OF PIPING DURING CONSTRUCTION.

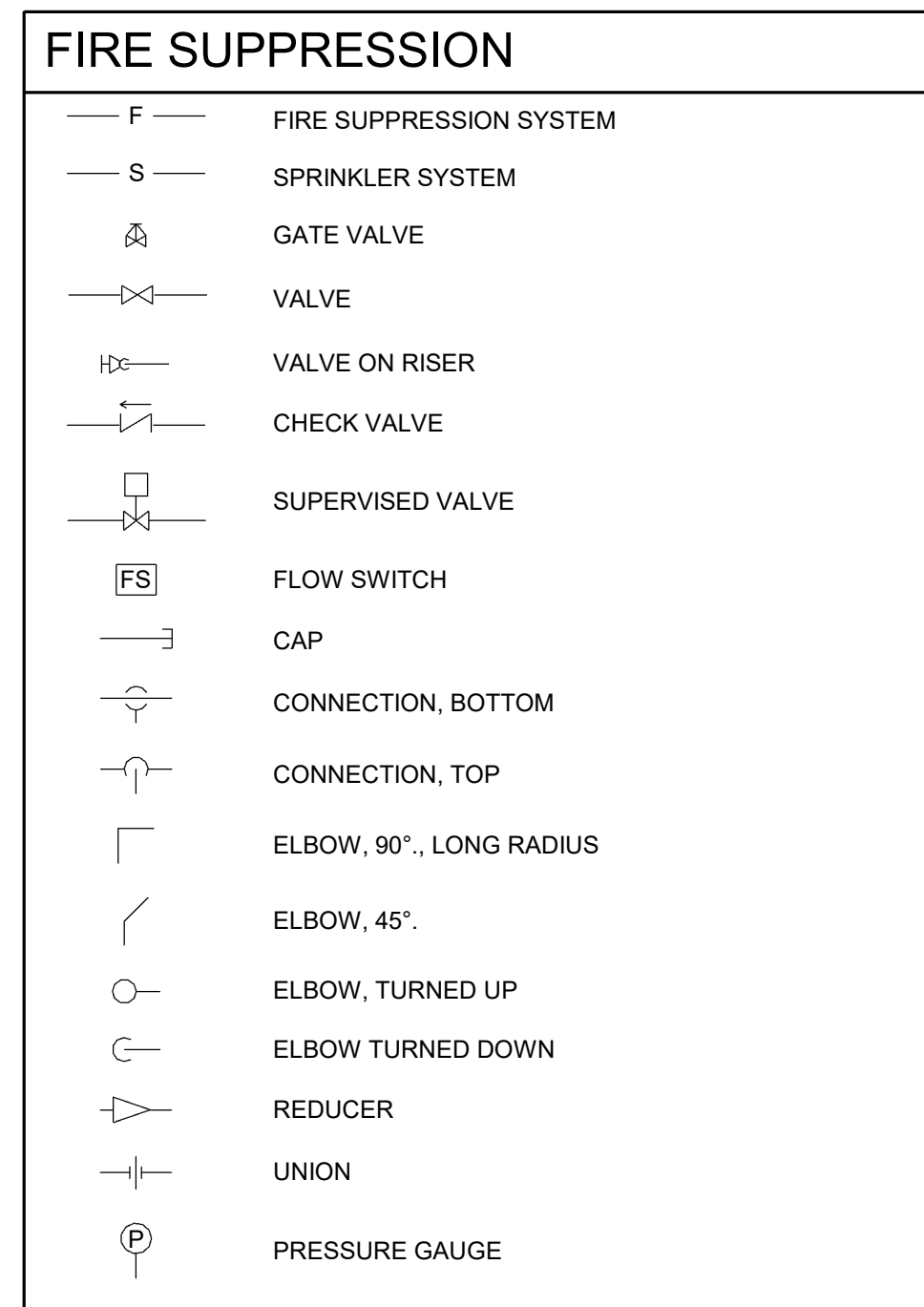
PIPE AND TUBING SHALL BE CUT AND FABRICATED TO FIELD MEASUREMENTS AND RUN PARALLEL TO NORMAL BUILDING LINES. PIPE INTERIOR SHALL BE CLEANED OF FOREIGN MATTER AND BURRS BEFORE ERECTION OF PIPE.

PIPING SHALL NOT BE RUN ABOVE ELECTRICAL SWITCHGEAR OR PANELBOARDS, NOR ABOVE THE ACCESS SPACE OF SUCH EQUIPMENT - NEC ARTICLE 384.

FLEXIBLE HOSES SHALL BE CONSTRUCTED WITH ANNUAL CORRIGATIONS. HELICAL CORRUGATIONS ARE NOT ACCEPTED.

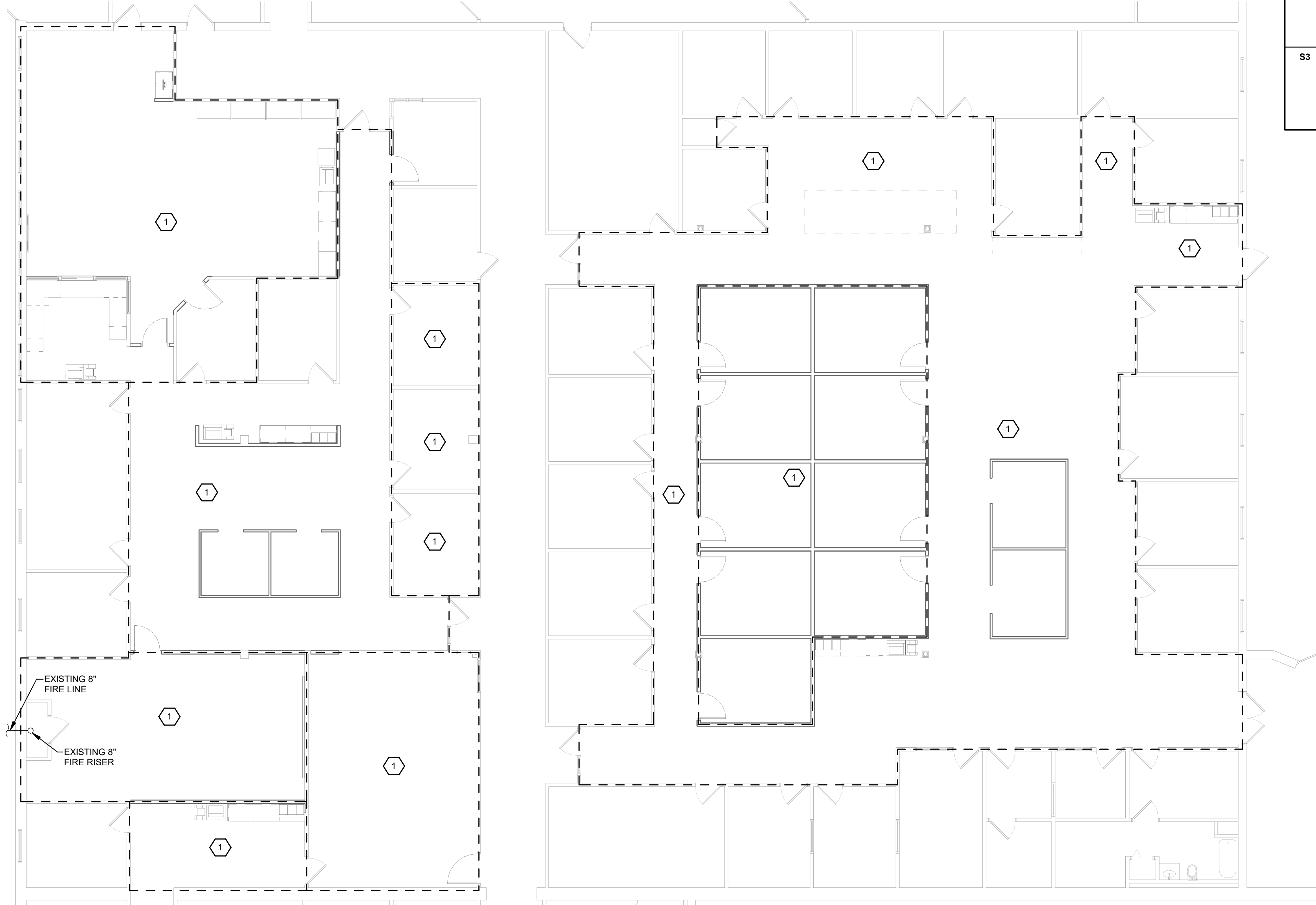
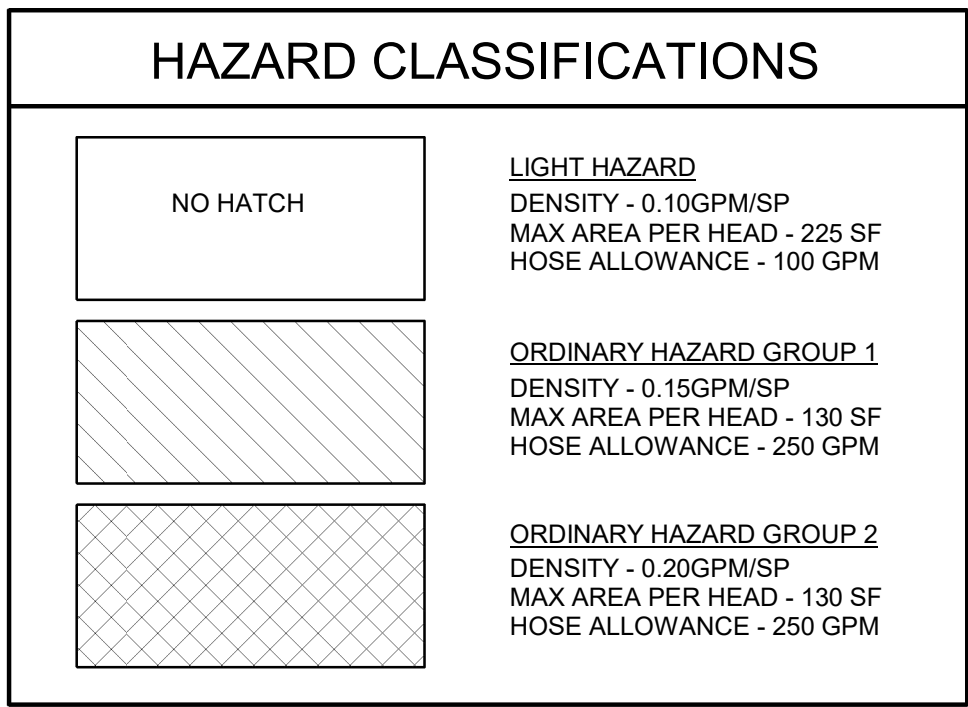
PIPING SYSTEM	TYPE
WET PIPE SPRINKLER 2.5" AND LARGER	S1, S2, S3
WET PIPE SPRINKLER 2" AND SMALLER	S2
FINAL CONNECTION TO SPRINKLER HEAD	F1

TYPE	DESCRIPTION	TYPE	DESCRIPTION
S1	ROLL GROOVED BLACK STEEL SCHEDULE 10, ASTM A135 OR ASTM A795 MALLEABLE/DUCTILE FITTINGS NITRILE /EPDM GASKETS ASTM A47/A47M OR A536	F1	FLEXIBLE SPRINKLER HOSE FITTING 36" LENGTH MAXIMUM FULLY STAINLESS STEEL FLEXIBLE HOSE WITH CEILING BRACKET UL 2443 AND FM 1637 175 PSI RATING FOLLOW FM STANDARDS FOR BEND RADIUS AND NUMBER OF BENDS
S2	THREADED BLACK STEEL SCHEDULE 40, ASTM A53 OR ASTM A795, 150 LB. MALLEABLE OR C.I. SCREWED FITTINGS		
S3	ROLL/CUT GROOVED BLACK STEEL SCHEDULE 40, ASTM A53 OR ASTM A795 MALLEABLE/DUCTILE FITTINGS NITRILE /EPDM GASKETS ASTM A47/A47M OR A536		



DESIGN CRITERIA

- DESIGN AND INSTALLATION OF MODIFIED WET PIPE SPRINKLER SYSTEM SHALL COMPLY WITH THE REQUIREMENTS OF THE 2024 OHIO BUILDING CODE, N.F.P.A. 13 AND ALL AUTHORITIES HAVING JURISDICTION (AHJ).
- WORKING PLANS AND HYDRAULIC CALCULATIONS SHALL BE PREPARED, SUBMITTED, AND APPROVED PRIOR TO INSTALLATION, BY THE FIRE SUPPRESSION CONTRACTOR. PLANS SHALL INCLUDE ALL ITEMS LISTED IN N.F.P.A. 13.
- WATER SUPPLY DATA: THE FIRE SUPPRESSION CONTRACTOR IS RESPONSIBLE FOR CONDUCTING A FLOW TEST TO OBTAIN CURRENT WATER SUPPLY DATA FROM THE NEW WATER DISTRIBUTION SYSTEM FOR USE IN THE HYDRAULIC CALCULATIONS.
- HYDRAULIC DESIGN CRITERIA FOR LIGHT HAZARD AREAS: (ALL AREAS EXCEPT WHERE NOTED OTHERWISE)
 - DENSITY: 0.10 GPM/SQ.FT.
 - DESIGN AREA: MOST DEMANDING 1500 SQ.FT. (REDUCTION WITH QUICK RESPONSE HEADS PERMITTED)
 - MAX. SPRINKLER COVERAGE: 130 SQ. FT./HEAD
 - HOSE DEMAND: 100 GPM
 - DURATION: 30 MINUTES
- HYDRAULIC DESIGN CRITERIA FOR ORDINARY HAZARD (GROUP 1) AREAS: (STORAGE ROOMS, MECHANICAL ROOMS, JANITOR'S ROOMS, KITCHEN, COMMUNICATION ROOMS)
 - DENSITY: 0.15 GPM/SQ.FT.
 - DESIGN AREA: MOST DEMANDING 1500 SQ.FT.
 - MAX. SPRINKLER COVERAGE: 130 SQ. FT./HEAD
 - HOSE DEMAND: 250 GPM
 - DURATION: 60 MINUTES
- HYDRAULIC DESIGN CRITERIA FOR ORDINARY HAZARD (GROUP 2) AREAS: (ADD SPECIFIC ROOM)
 - DENSITY: 0.2 GPM/SQ.FT.
 - DESIGN AREA: MOST DEMANDING 1500 SQ.FT.
 - MAX. SPRINKLER COVERAGE: 130 SQ. FT./HEAD
 - HOSE DEMAND: 250 GPM
 - DURATION: 60 MINUTES
- ALL SPRINKLER HEADS SHALL BE QUICK RESPONSE TYPE.
- SPRINKLER HEADS IN AREAS WITH FINISHED CEILINGS SHALL BE SEMI-RECESSED TO MATCH EXISTING HEADS.



FIRST FLOOR FIRE SUPPRESSION
SCALE: 1/8" = 1'-0"



NAUMAN & ZELINSKI LLC.
204 S. Ludlow Street Suite 400 Dayton, Ohio 45402
Phone: (937) 233-3851
PROJECT # 25013

APP Architecture
creative focused design
615 Woodside Drive, Englewood, Ohio 45322
T 937.836.8898 F 937.832.3696
www.app-arch.com



JEFFERY D. ZELINSKI, LICENSE #63822
EXPIRATION DATE 12/31/2025

**DARKE COUNTY
WAGNER AVENUE
INTERIOR RENOVATION**
631 WAGNER AVENUE, GREENVILLE, OHIO 45331

ISSUE

NO.	DATE	DESCRIPTION
03/27/25	FOR PERMIT & BID	

DATE	03/27/25
JOB NO.	3961.05
DRAWN	RAD
CHECKED	JDZ

COPYRIGHT © 2025 - App Architecture, Inc.
TITLE
LEGEND, SCHEDULES & FLOOR PLAN

SHEET NO.
F1.1

3/27/2025 12:43:21 PM

DUCTWORK SYSTEMS SCHEDULE					
DUCTWORK SYSTEMS	LOCATION	MATERIAL	SMACNA CLASS.		NOTES
			SP. CONSTR.	SEAL CLASS	
RETURN AIR	CONCEALED	G1	-2"	C	
SUPPLY AIR - VAV UPSTREAM	CONCEALED	G1	+4"	A	
SUPPLY AIR - VAV DOWNSTREAM	CONCEALED	G1	+1"	C	
FLEXIBLE DUCTWORK - SUPPLY	CONCEALED OR UNCONDITIONED	C1	+10" -5"	N.A.	
FLEXIBLE DUCTWORK - RET./EXH./TRANSFER	CONCEALED	C2	+10" -5"	N.A.	

DUCTWORK MATERIALS SCHEDULE		
TYPE	MATERIAL	DESCRIPTION
C1	CHLORINATED POLYETHYLENE	BLACK INNER FABRIC WITH GALVANIZED STEEL HELIX REINFORCING, R = 6.0 (MIN.) FIBERGLASS INSULATION, REINFORCED METALIZED VAPOR BARRIER, 0.05 PERM, UL 181, CLASS 1 DUCT, MEET NFPA 90A & 90B, 25/50 FLAME/SMOKE SPREAD.
C2	CHLORINATED POLYETHYLENE	BLACK INNER FABRIC WITH GALVANIZED STEEL HELIX REINFORCING, R = 4.2 (MIN.) FIBERGLASS INSULATION, REINFORCED METALIZED VAPOR BARRIER, 0.05 PERM, UL 181, CLASS 1 DUCT, MEET NFPA 90A & 90B, 25/50 FLAME/SMOKE SPREAD.
G1	GALVANIZED STEEL	24 GA. MIN., HOT DIPPED, GALVANIZED BOTH SIDES, G90 PER ASTM A653.

NOTES:

DUCTWORK INSULATION SCHEDULE				
SYSTEM	INSULATION THICKNESS	TYPE	LOCATION	NOTES
SUPPLY AIR DUCT	1.5"	1	CONCEALED	
RETURN AIR DUCT	-	-	CONCEALED	

TYPE	BASIS OF DESIGN	APPROVED EQUALS	DESCRIPTION
1	OWENS-CORNING SOFTR TYPE 75	KNAUF JM CERTAIN TEED	MATERIAL FIBERGLASS DUCT WRAP ON DUCT K = 0.30 @ 75 DEG. F. DENSITY - 0.75 PCF JACKET - FOIL REINFORCED JOINTS - OVERLAPPING STAPLE ALL JOINTS AT 6" CENTERS. FASTENERS - MECHANICAL ON 24" & WIDER DUCT. ADHESIVE - NONE TAPE - 3" WIDE

NOTES:

VALVE SCHEDULE

PIPING SYSTEM	VALVE TYPE					
	BUTTERFLY	BALL	CHECK	GATE	BALANCING	PLUG
HOT, CHILLED, CONDENSER - 0.5" TO 2"		B1	C1, C3		E1	

TYPE	DESCRIPTION	TYPE	DESCRIPTION	TYPE	DESCRIPTION
B1	BALL VALVE NIBCO T-580-70/T-585-70 150 W.W.P. 2-PIECE FULL PORT BRONZE BODY THREADED/PRESS ENDS CHROME PLATED BRONZE BALL/BRONZE STEM TFE SEAT AND SEAL HANDLE.	C3	CHECK VALVE NIBCO T-480-Y 125 W.W.P. IN-LINE SPRING ACTUATED CENTER GUIDED SILENT CHECK BRONZE BODY THREADED ENDS TFE DISC AND EAT RING	E1	BALANCING VALVE BELL & GOSSETT MODEL CB 125 W.W.P. BRONZE BODY BRASS BALL THREADED ENDS READOUT & DRAIN PORTS TFE SEATS CALIBRATED NAMEPLATE HANDLE WITH MEMORY STOP
C1	CHECK VALVE NIBCO T-413-Y 125 W.W.P. BRONZE BODY Y-PATTERN THREADED ENDS, RENEWABLE BRONZE SWING DISC TFE SEAT RING				

PIPE INSULATION SCHEDULE

SYSTEM & SIZE	INSULATION THICKNESS	TYPE	LOCATION
HOT WATER ≤ 1.25"	1.5"	F1	INTERIOR
HOT WATER ≥ 1.5"	2"	F1	INTERIOR

TYPE	BASIS OF DESIGN	APPROVED EQUALS	DESCRIPTION
F1	OWENS CORNING #SSL II WITH ASJ MAX JACKET	- KNAUF - JOHNS MANVILLE - MANSON - CERTAINTEED	PERFORMED, TUBULAR, INORGANIC GLASS FIBER WITH RESIN BONDING, K=0.24 @ 100 DEG. F, 3.5 - 5.5 PCF. WHITE FSRK JACKET LONGITUDINAL LAP, SELF-SEALING ADHESIVE. ELBOWS, TEES, VALVES, CAPS, ETC., WHITE ONE PIECE, PREMOLDED 25/50 0.20" PVC FITTING COVERS WITH HIGH DENSITY FIBERGLASS INSULATION INSERTS SAME THICKNESS, K=0.26 EQUAL TO ZESTON OR PROTO.

TERMINAL UNIT SCHEDULE

TAG	NEW	EXISTING	INLET SIZE	PRIMARY AIR FROM RTU			FAN AIR FLOW	MBH	GPM	2-WAY VALVE	3-WAY VALVE	S&R PIPING	NOTES
				MAX. COOLING AIR FLOW	MIN. COOLING AIR FLOW	MAX. HEATING AIR FLOW							
TU-3			12"	975	245	485	-	-	-				1
TU-4			10"	660	165	60	-	-	-				1
TU-18			10"	490	125	245	-	-	-				1
TU-19			7"	315	80	160	-	-	-				1
TU-20			8"	375	95	190	-	-	-				1
TU-21			12"	990	250	60	930	-	-				1
TU-22			8"	410	105	60	350	-	-				1
TU-23			9"	510	130	255	-	-	-				1
TU-24			12"	840	210	-	-	-	-				2
TU-25			8"	210	55	185	-	-	-				1
TU-26			8"	480	120	240	-	-	-				1
TU-27			7"	310	80	155	-	-	-				1
TU-28			6"	210	55	105	-	-	-				1
TU-29			12"	1250	312	60	1190	-	-				1
TU-30			7"	300	75	-	-	-	-				2
TU-32			10"	640	160	320	-	-	-				1
TU-33			12"	910	230	455	-	-	-				1
TU-34			9"	610	155	305	-	-	-				1
TU-35			14"	1470	370	735	-	-	-				1
TU-36			14"	1960	490	980	-	-	-				1
TU-37			12"	910	230	455	-	-	-				1
TU-38			6"	200	50	100	-	-	-				1
TU-39			7"	270	70	135	-	-	-				1
TU-40			9"	540	135	270	-	-	-				1
TU-41			12"	990	250	495	-	-	-				1
TU-42			8"	560	140	280	-	10.5	1.0			0.75"	3

NOTES:

- EXISTING REHEAT COIL - NO MBH OR GPM DATA AVAILABLE.
- UNIT IS COOLING ONLY, NO REHEAT COIL.
- NEW REHEAT UNIT.

AIR DEVICE SCHEDULE

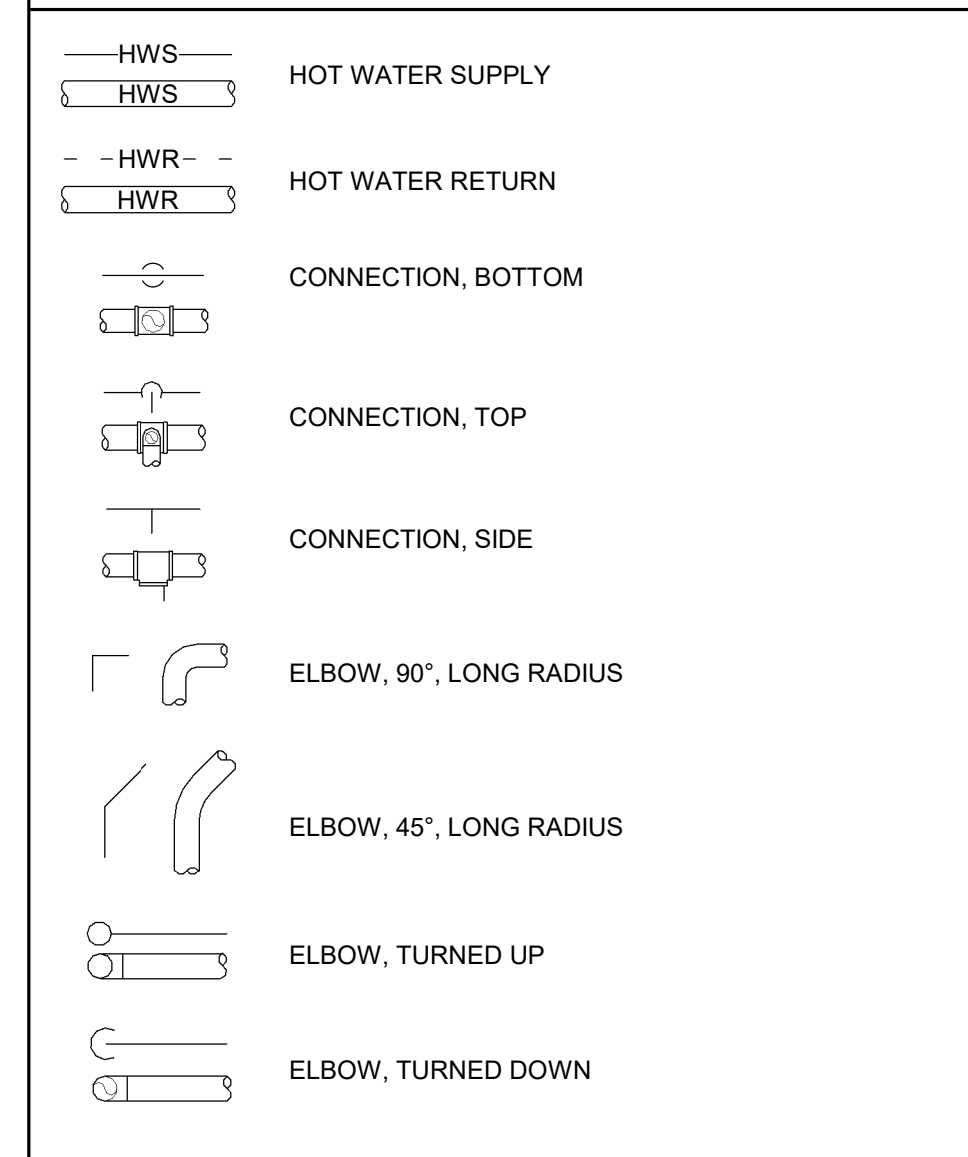
TAG	DESCRIPTION	MODEL NO.	MATERIAL	ACCESSORIES	NOTES
S1	2'X2' SQUARE PLAQUE DIFFUSER ROUND DUCT CONNECTION	SPD	STEEL	INSULATED BACKPAN (STYLE 31)	
R1	RETURN GRILLE DEVICE SIZE - 24" X 24" 45° HORIZONTAL BLADES 1/2" SPACING	635	ALUMINUM	RETURN AIR CANOPY	
R2	RETURN GRILLE DEVICE SIZE - 24" X 12" 45° HORIZONTAL BLADES 1/2" SPACING BLADES PARALLEL TO LONG DIMENSION	635	ALUMINUM	RETURN AIR CANOPY	

NOTES:

PIPING SYSTEMS - HVAC

PIPING SYSTEM		TYPE	
HOT WATER & CHILLED WATER - 0.50" TO 2"		C1, C5	
TYPE	DESCRIPTION	TYPE	DESCRIPTION
C1	SOLDERED COPPER TYPE "L" HARD COPPER ASTM B88 WROUGHT COPPER OR CAST BRONZE FITTINGS 95-5 SOLDER	C5	PRESS-FIT COPPER TYPE "L" HARD COPPER ASTM B88 WROUGHT COPPER ASTM B75 C12200 FITTINGS 250 DEG. F. EPDM SEALS

PIPING LEGEND



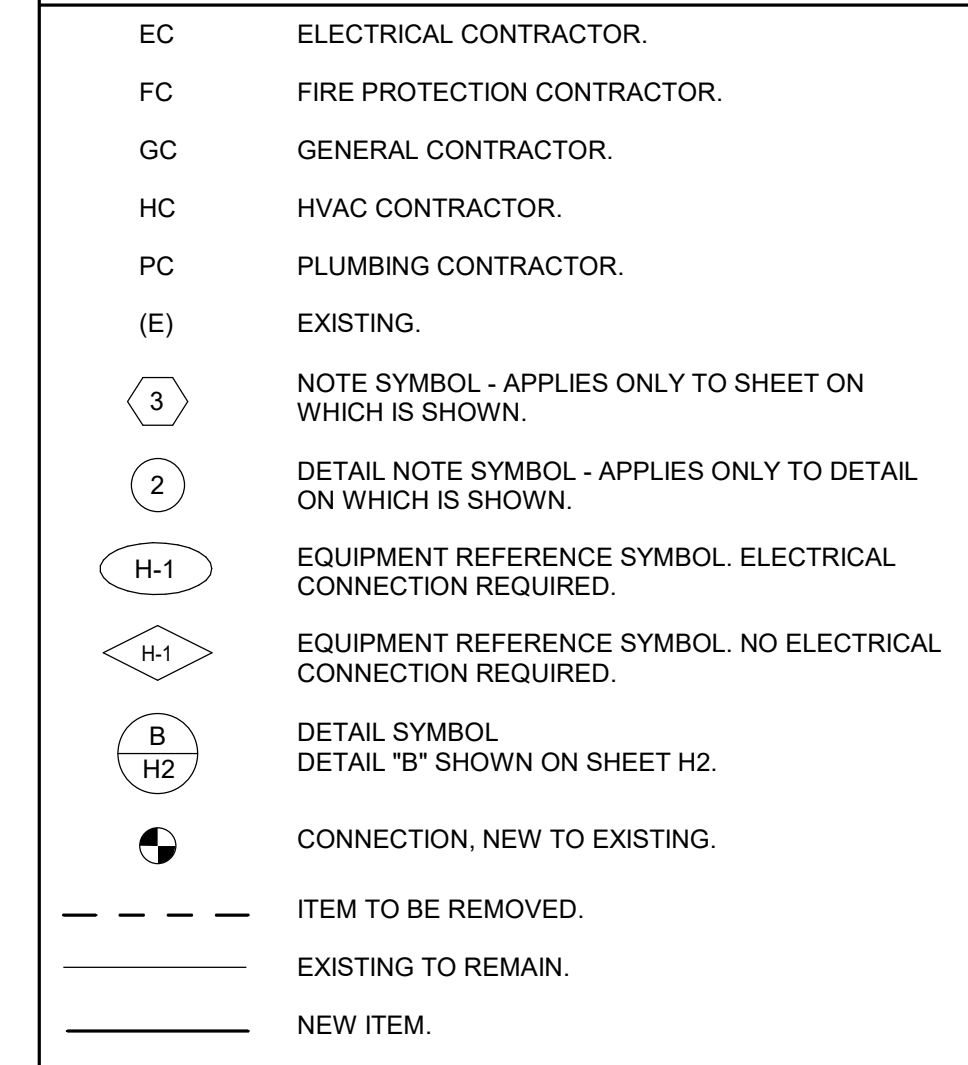
GENERAL NOTES - HVAC

- PROVIDE COMPLETE AND FUNCTIONAL HVAC SYSTEMS PER HVAC PLANS INCLUDING FURNISHING, INSTALLING, TESTING AND WARRANTY OF ALL WORK.
- WORK SHALL BE IN ACCORDANCE WITH THE 2024 OHIO BUILDING AND MECHANICAL CODES INCLUDING REFERENCED CODES AND STANDARDS, ALL FEDERAL, STATE, AND LOCAL CODES AND ALL APPLICABLE LAWS, ORDINANCES AND REGULATIONS.
- WORK SHALL BE PERFORMED USING BEST QUALITY INSTALLATION PRACTICE BY A QUALIFIED TRADE CONTRACTOR AND THEIR QUALIFIED SUBCONTRACTORS. ALL CONTRACTORS SHALL BE LICENSED AND BE BONDED FOR THE WORK.
- ALL WORK SHALL BE PERFORMED IN ACCORDANCE WITH OSHA AND OWNER SAFETY STANDARDS AND PRACTICES. ALL ON SITE PERSONNEL SHALL BE SAFETY TRAINED AND OWNER CERTIFIED.
- OBTAIN REQUIRED PERMITS RELATED TO THE WORK AND PAY ALL PERMIT AND INSPECTION FEES.
- THE AUTHORITY HAVING JURISDICTION SHALL INSPECT AND APPROVE ALL WORK. PROVIDE A FINAL CERTIFICATE OF APPROVAL FROM THE AUTHORITY HAVING JURISDICTION AND PRESENT TO THE OWNER BEFORE REQUESTING FINAL PAYMENT AND RELEASE OF RETAINAGE.
- ALL EQUIPMENT AND MATERIAL REQUIRED FOR COMPLETE AND FUNCTIONAL HVAC SYSTEMS ARE INCLUDED IN THE CONTRACT.

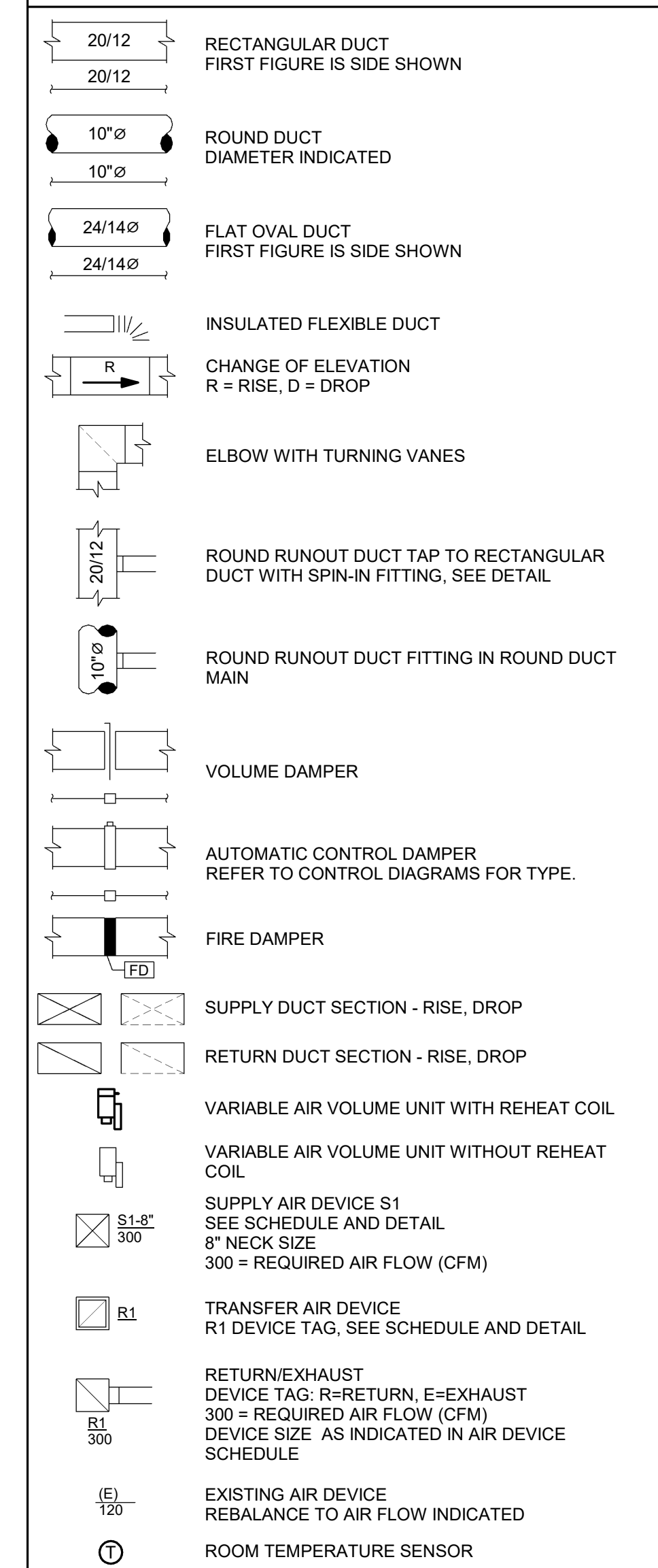
GENERAL REQUIREMENTS - HVAC

- PROTECT ALL FURNISHED MATERIAL AND EQUIPMENT FROM THEFT AND DETERIORATION OR CONTAMINATION DUE TO WEATHER OR CONSTRUCTION ACTIVITIES.
- PROTECT OWNERS PROPERTY AND PROPERTY OF OTHER CONTRACTORS.
- REMOVE ALL CONSTRUCTION DEBRIS FROM SITE. RECYCLE DEBRIS WHERE POSSIBLE. DISPOSE OF ALL HAZARDOUS MATERIAL IN ACCORDANCE WITH ENVIRONMENTAL LAWS.
- PROVIDE ALL CUTTING AND PATCHING REQUIRED TO INSTALL MATERIAL AND EQUIPMENT.
- EXISTING ROOF PATCHING SHALL BE SUBCONTRACTED TO A BONDED ROOFING CONTRACTOR FAMILIAR WITH THE ROOFING SYSTEM. MAINTAIN ANY REMAINING ROOF WARRANTY.
- PROVIDE APPROPRIATE FIRESTOPPING SYSTEM FOR ANNULAR SPACE OPENINGS AROUND DUCT AND PIPE PENETRATIONS THROUGH FIRE RESISTANCE RATED CONSTRUCTION. ANNULAR SPACE OPENINGS AT DUCT OR PIPE PENETRATIONS IN NON RATED CONSTRUCTION TO BE CLOSED AIR AND WATER TIGHT.
- MATERIALS AND EQUIPMENT SHALL BE ONE OF THE BRAND OR MANUFACTURERS LISTED OR AN APPROVED EQUAL.
- ELECTRONIC SHOP DRAWINGS SHALL BE PROVIDED IN PDF FORMAT FOR THE ENGINEER'S APPROVAL FOR ALL MATERIALS AND EQUIPMENT. SHOP DRAWINGS SHALL BE SPECIFICALLY EDITED TO ELIMINATE SUPERFLUOUS INFORMATION AND SHALL CLEARLY SHOW SPECIFICS FOR THE MATERIAL AND EQUIPMENT PROVIDED.
- COORDINATE INSTALLATION OF ACTUAL EQUIPMENT AND SYSTEMS PROVIDED WITH OTHER TRADES AND NEW OR EXISTING CONDITIONS.
- INSTALL ALL MATERIALS AND EQUIPMENT IN ACCORDANCE WITH MANUFACTURER'S RECOMMENDATIONS AND REQUIREMENTS. PROVIDE REQUIRED CLEARANCES TO MEET CODE REQUIREMENTS, MANUFACTURER'S RECOMMENDATIONS AND MAINTENANCE SERVICE.
- ALL WORK AREAS SHALL BE CLEANED TO MATCH ORIGINAL CONDITION.
- PROVIDE TESTING, ADJUSTING AND BALANCING (TAB) REPORTS FOR AIR AND WATER SYSTEMS. A CERTIFIED AABC OR NEBB FIRM SHALL PROVIDE THE BALANCE.

GENERAL LEGEND

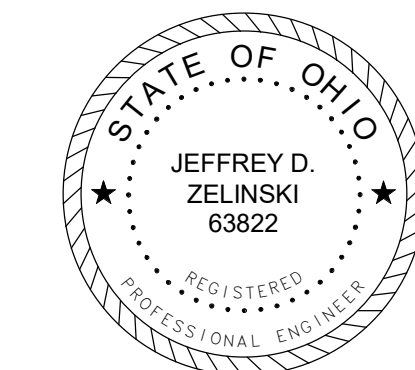


DUCTWORK LEGEND



HVAC INDEX OF DRAWINGS

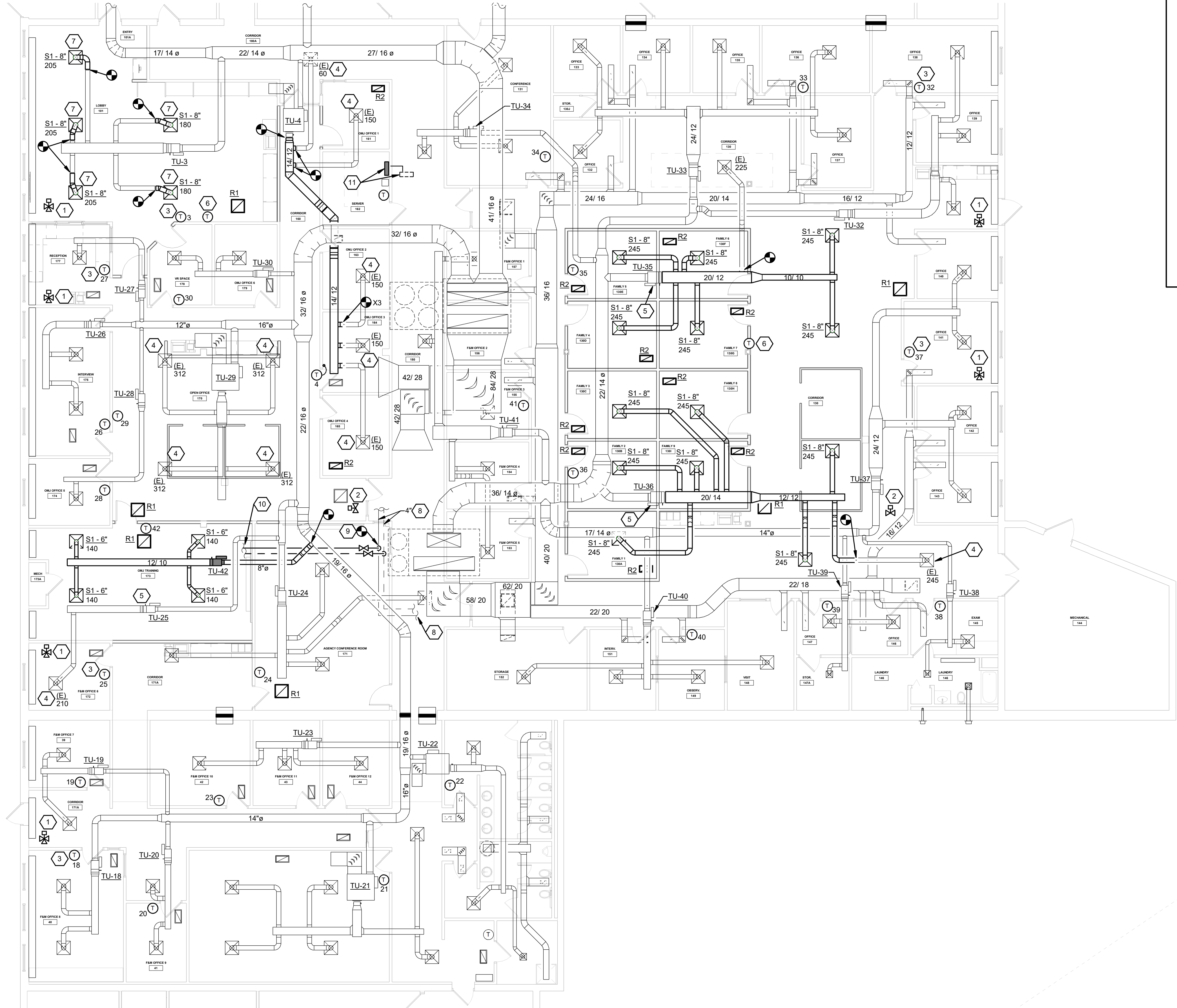
SHEET	DRAWING TITLE
H0.1	LEGENDS AND SCHEDULES
H1.1	DEMOLITION PLAN
H2.1	NEW WORK PLAN
H3.1	DETAILS
H4.1	CONTROLS



JEFFERY D. ZELINSKI, LICENSE #63822
 EXPIRATION DATE 12/31/2025

NO.	DATE	DESCRIPTION
	03/27/25	FOR PERMIT & BID

DATE	03/27/25
JOB NO.	3961.05
DRAWN	RAD
CHECKED	JDZ
COPYRIGHT © 2025 - App Architecture, Inc.	
TITLE	LEGENDS AND SCHEDULES



- CONSTRUCTION NOTES**
1. NEW RADIANT PANEL 3-WAY VALVE.
 2. NEW ROOF FINNED TUBE 2-WAY VALVE.
 3. ROOM TEMPERATURE SENSOR CONTROLS VAV TERMINAL UNIT AND RADIANT PANEL CONTROL VALVE.
 4. REBALANCE EXISTING AIR DEVICE TO QUANTITY INDICATED.
 5. SEE TERMINAL UNIT SCHEDULE FOR NEW AIR FLOW SETPOINTS.
 6. NEW TEMPERATURE SENSOR FOR ROOF RADIANT HEAT. MOUNT ON WALL AND COLUMN.
 7. NEW AIR DEVICE WITH NEW FLEXIBLE DUCT RUNOUT, INSTALL ON EXISTING SHEETMETAL DUCT.
 8. EXISTING 4" HWS & HWR.
 9. CONNECT NEW 0.75" COPPER PRO-PRESS HWS&R PIPING TO EXISTING. PROVIDE DIELECTRIC UNION / FLANGE.
 10. EXTEND 0.75" PIPING TO NEW TERMINAL UNIT. SEE PIPING CONNECTION DETAIL.
 11. NEW MINISPLIT SYSTEM, WALL MOUNTED INDOOR CASSETTE. MOUNT CONDENSING UNIT ON EXISTING ROOF SUPPORTS. RUN CONDENSATE TO EXISTING CONDENSATE PUMP. UNIT SHALL BE MITSUBISHI. OUTDOOR UNIT - PUY-AK12NL INDOOR UNIT - PKA-AL12NL 12,000 BTU/HR. SEERS - 21.1 208V/1PH. MCA-16. MOCP-27 REFRIGERANT - R454B WITH WIND BAFFLES

APP Architecture
creative focused design

615 Woodside Drive, Englewood, Ohio 45322
T 937.832.3696 F 937.832.3696
www.app-arch.com



JEFFERY D. ZELINSKI, LICENSE #63822
EXPIRATION DATE 12/31/2025

DARKE COUNTY
**WAGNER AVENUE
INTERIOR RENOVATION**

631 WAGNER AVENUE, GREENVILLE, OHIO 45331

ISSUE		
NO.	DATE	DESCRIPTION
03/27/25	FOR PERMIT & BID	

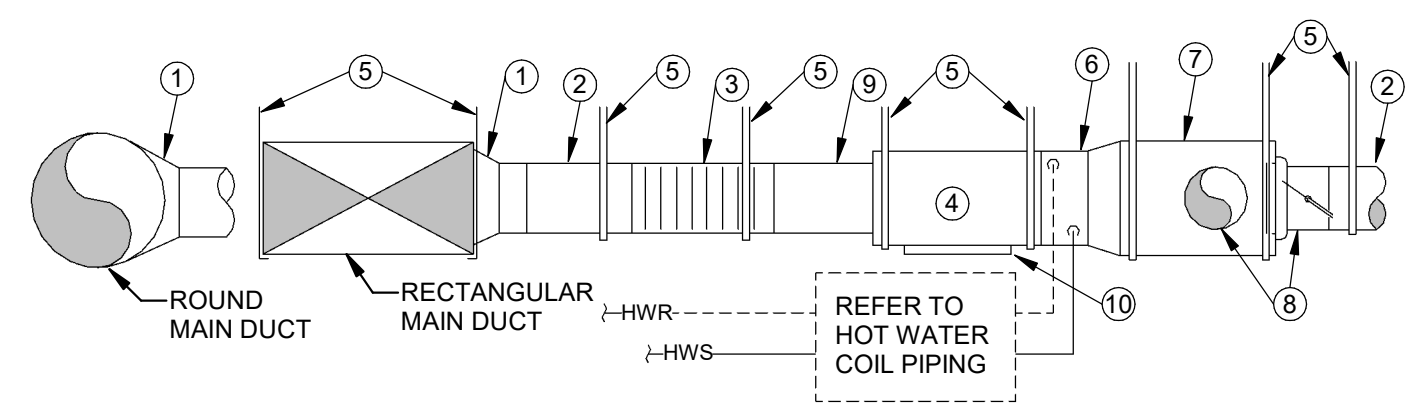
DATE	03/27/25
JOB NO.	3961.05
DRAWN	RAD
CHECKED	JDZ
COPYRIGHT © 2025 - App Architecture, Inc.	
TITLE NEW WORK PLAN	

SHEET NO.
H2.1

FIRST FLOOR NEW WORK PLAN
SCALE: 1/8" = 1'-0"



NAUMAN & ZELINSKI LLC.
204 S. Ludlow Street Suite 400 Dayton, Ohio 45402
Phone: (937) 233-3851
PROJECT # 25013

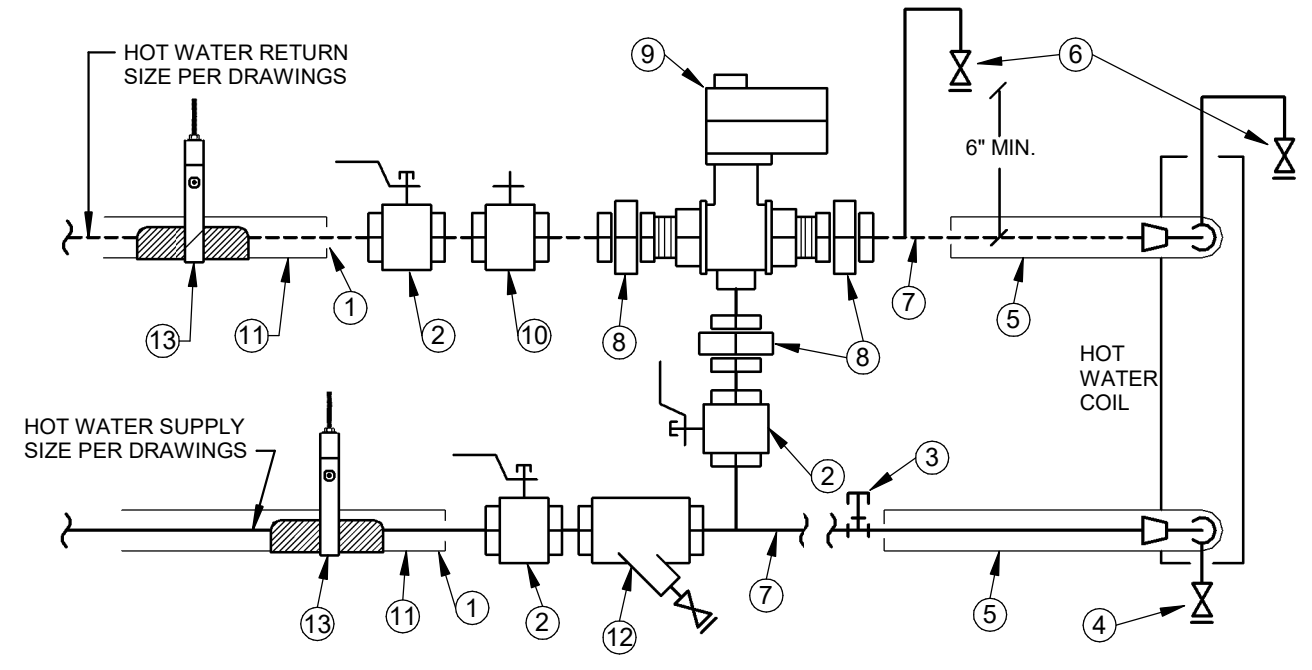


- 1 CONICAL TEE BRANCH FITTING.
- 2 ROUND SHEET METAL BRANCH DUCT. LENGTH AS REQUIRED. INSULATED.
- 3 INSULATED FLEXIBLE DUCT, 4' MAXIMUM LENGTH. STRETCH TO MINIMUM 90% OF FULLY EXTENDED LENGTH. DUCT SHALL BE FLEXMASTER TL-M ALUMINUM SPIRAL LINER WITH 1.5" INSULATION.
- 4 VAV REHEAT AIRFLOW CONTROL UNIT.
- 5 DUCT STRAP HANGER. ATTACH TO STRUCTURAL ELEMENTS.
- 6 HOT WATER REHEAT COIL. TERMINATE PIPE INSULATION AT FACE OF COIL. EXTEND DUCT INSULATION AROUND COIL PIPE INSULATION AND PROVIDE VAPOR BARRIER TAPE.
- 7 LOW PRESSURE RECTANGULAR SUPPLY DUCT. WHERE NOT SIZED ON THE DRAWINGS, SIZE TO MATCH COIL DIMENSIONS EXCEPT TRANSITION DUCT HEIGHT TO BE 2" HIGHER THAN LARGEST SPIN-IN BRANCH TAP FITTING.
- 8 SPIN-IN BRANCH TAP FITTING, STRAIGHT SIDE WITH MANUAL DAMPER AND INTEGRAL INSULATION GUARD SLEEVE.
- 9 24" LONG SHEETMETAL AT BOX INLET - REDUCE LENGTH ONLY WHERE REQUIRED BY FIELD CONDITIONS.
- 10 ACCESS DOOR. LOCATE ON UNITS WITH REHEAT COILS ONLY.

NOTE:
COORDINATE WITH OTHER TRADES AND INSTALL VAV BOXES TO PROVIDE 18" SIDE AND UNOBSTRUCTED BOTTOM CLEARANCE TO CONTROLLER. ACTUATORS AND VALVES FOR MAINTENANCE. COORDINATE TO INSURE ACCESS IS PROVIDED BY SIMPLE REMOVAL OF ADJACENT UNRESTRICTED CEILING TILES (FREE OF CEILING MOUNTED DEVICES) WITHOUT NEED TO REMOVE LIGHTS OR CEILING GRID. ACCESS DOOR ON BOX IS FOR INSPECTION AND UPSTREAM COIL CLEANING. ACCESS DOOR USE IS RARE AND REMOVAL OF LIGHTS OR CEILING GRID TO GAIN ACCESS IS ACCEPTABLE.

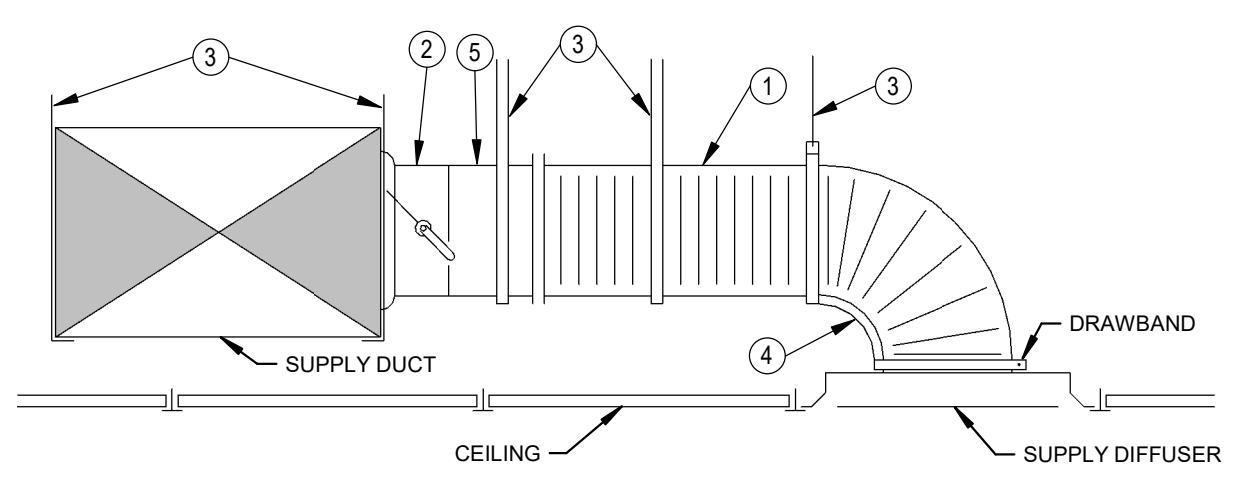
MARK DESIGNATIONS AS SHOWN ON DRAWINGS ON ALL VAV BOXES WITH 2" HIGH PAINTED STENCIL LETTERING.

1 AIR TERMINAL UNIT W/ HOT WATER REHEAT COIL
N.T.S. TU-42



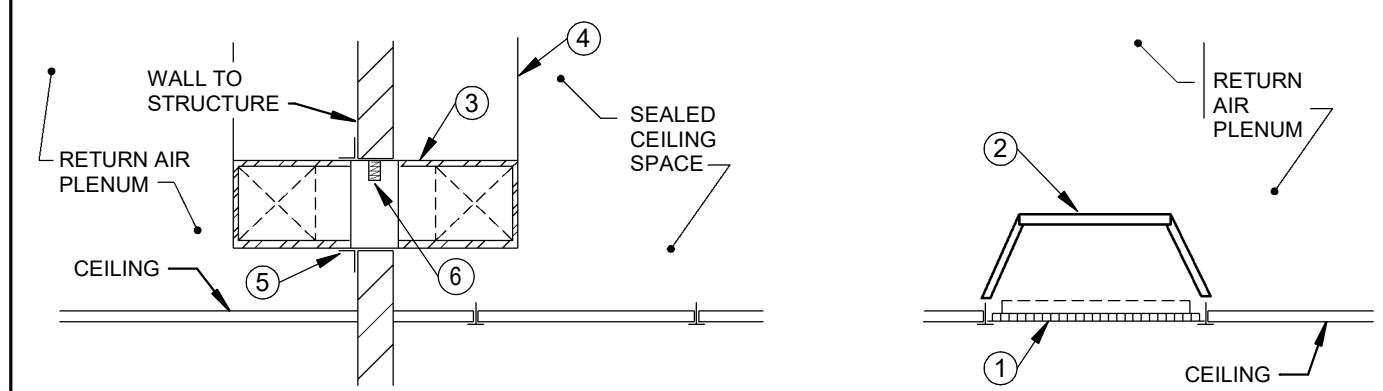
- 1 PIPE INSULATION NOT REQUIRED AT VALVE/CONTROLS EXCEPT AS NOTED.
- 2 SHUT-OFF VALVE PER VALVE SCHEDULE. VALVE SIZE PER VAV AIR TERMINAL UNIT SCHEDULE.
- 3 PRESSURE TEMPERATURE P/T TEST PLUG, 0.50" NPT, NORDEL CORE WITH CAP RETAINER STRAP.
- 4 0.50" BALL DRAIN VALVE WITH CAPPED HOSE THREAD, MIN. 4" BELOW PIPE OR COIL. LOCATE AT COIL WHERE COIL IS BELOW SUPPLY PIPE.
- 5 INSULATE PIPE, MINIMUM 12" FROM COIL ON REHEAT BOX TO PREVENT CONDENSATION. PER INSULATION SCHEDULE.
- 6 0.50" MANUAL AIR VENT/BALL VALVE WITH CAPPED HOSE THREAD AND CAP. OUTLET MINIMUM 6" ABOVE PIPE. PROVIDE AT COIL WHERE COIL IS ABOVE RETURN PIPE.
- 7 RUNOUT PIPING - COPPER, SIZED TO MATCH SCHEDULE. PROVIDE REDUCER AT UNIT FOR COIL CONNECTION.
- 8 UNION.
- 9 CONTROL VALVE - 2-WAY OR 3-WAY WITH ELECTRONIC MODULATING ACTUATOR.
- 10 BALANCING VALVE. REFER TO VALVE SCHEDULE.
- 11 PIPE INSULATION PER SCHEDULE.
- 12 Y-STRAINER WITH BLOW DOWN VALVE AND THREADED CAP.
- 13 LOCATE PIPE HANGER AND INSULATION SHIELD UPSTREAM OF VALVE ASSEMBLY COMPONENTS. HANGER NOT TO BE IN CONTACT WITH EXPOSED PIPE.

2 HOT WATER COIL PIPING
N.T.S. FOR TERMINAL UNIT TU-42



- 1 FLEXIBLE DUCT SAME DIAMETER AS DIFFUSER INLET (ABOVE ACCESSIBLE CEILING ONLY USE SHEETMETAL ONLY ABOVE INACCESSIBLE CEILING). 7 FT. MAXIMUM LENGTH. STRETCH TO MINIMUM 90% OF FULLY EXTENDED LENGTH. ADDITIONAL HANGER REQUIRED IF DUCT LENGTH EXCEEDS 4 FT.
- 2 SPIN-IN BRANCH TAP FITTING, STRAIGHT SIDE, WITH MANUAL DAMPER. DAMPER SHAFT IN HORIZONTAL. INTEGRAL INSULATION GUARD SLEEVE REQUIRED FOR TAP FITTING TO MAIN DUCT WITH INTERNAL INSULATION.
- 3 DUCT STRAP HANGER. ATTACH TO STRUCTURE. PER SMACNA.
- 4 90 DEGREE FLEXIBLE ELBOW SUPPORT BY FLEXRIGHT, FLEXFLOW OR SMARTFLOW. PROVIDE WITH DRAWBANDS. UL-2043 RATING.
- 5 SHEETMETAL DUCT, SAME DIAMETER AS DIFFUSER INLET. LONGITUDINAL OR SPIRAL LOCK SEAM, 0.50" S.P. CONSTRUCTION. PROVIDE EXTERIOR INSULATION, 1.5" THICKNESS, 0.75" DENSITY FIBERGLASS WITH FOIL/KRAFT PAPER JACKET.

3 CEILING DIFFUSER
N.T.S.



- 1 RETURN GRILLE.
- 2 RETURN AIR CANOPY.
- 3 TRANSFER AIR DUCT THROUGH FULL HEIGHT WALL. PROVIDE 1/2" INTERNAL DUCT LINER. REFER TO FLOOR PLAN FOR DUCT SIZE.
- 4 SUPPORT PLENUM FROM STRUCTURE WITH DUCT STRAP HANGERS.
- 5 FRAME OPENING THROUGH WALL AS REQUIRED AND SEAL WALL PENETRATION SMOKE TIGHT.
- 6 FIRE DAMPER WHERE INDICATED ON PLAN.

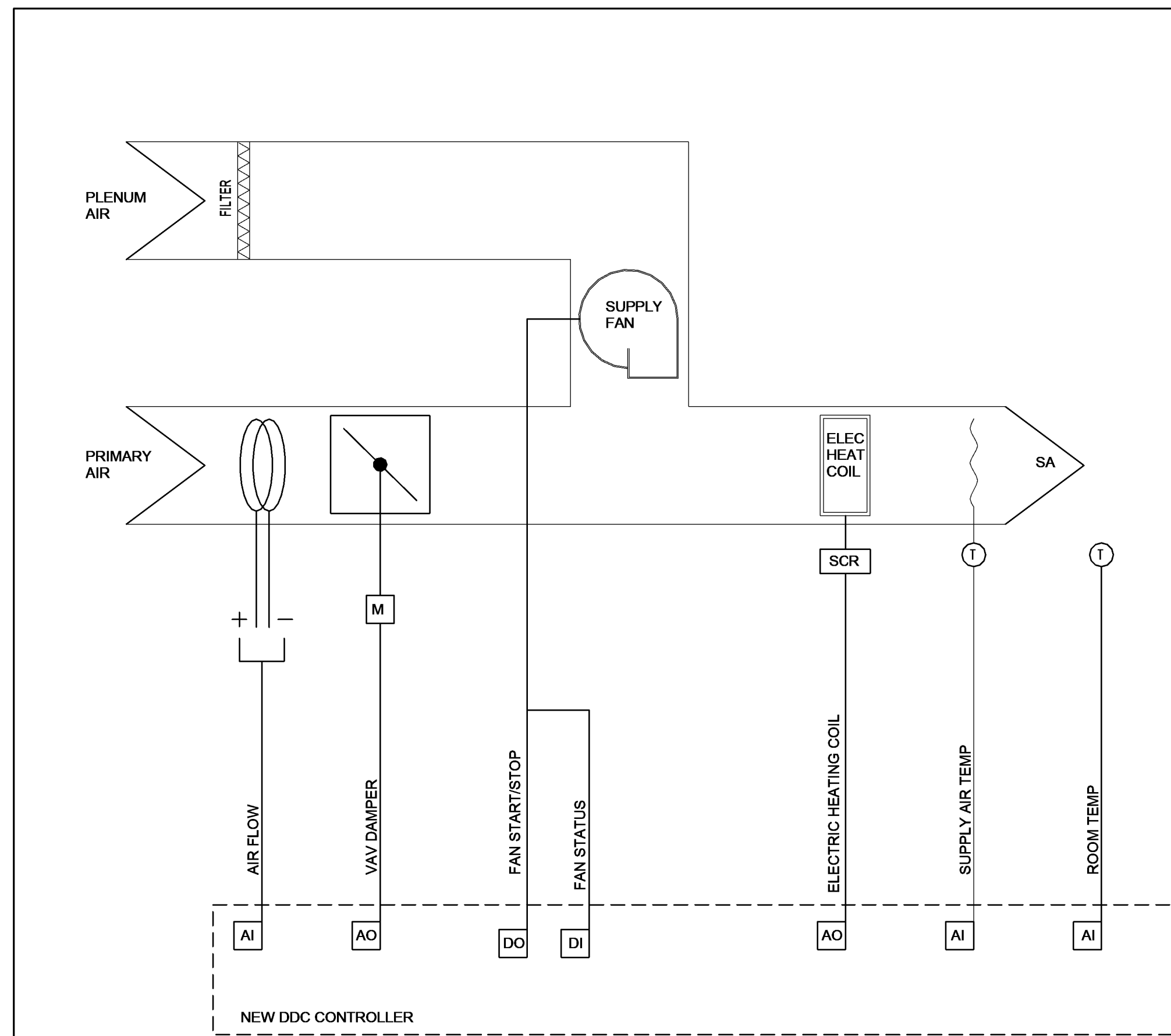
4 TRANSFER AIR GRILLE/PLENUM
N.T.S.

NO.	DATE	DESCRIPTION
03/27/25		FOR PERMIT & BID

DATE	03/27/25
JOB NO.	3961.05
DRAWN	RAD
CHECKED	JDZ

COPYRIGHT © 2025 - App Architecture, Inc.
TITLE
DETAILS

SHEET NO.
H3.1



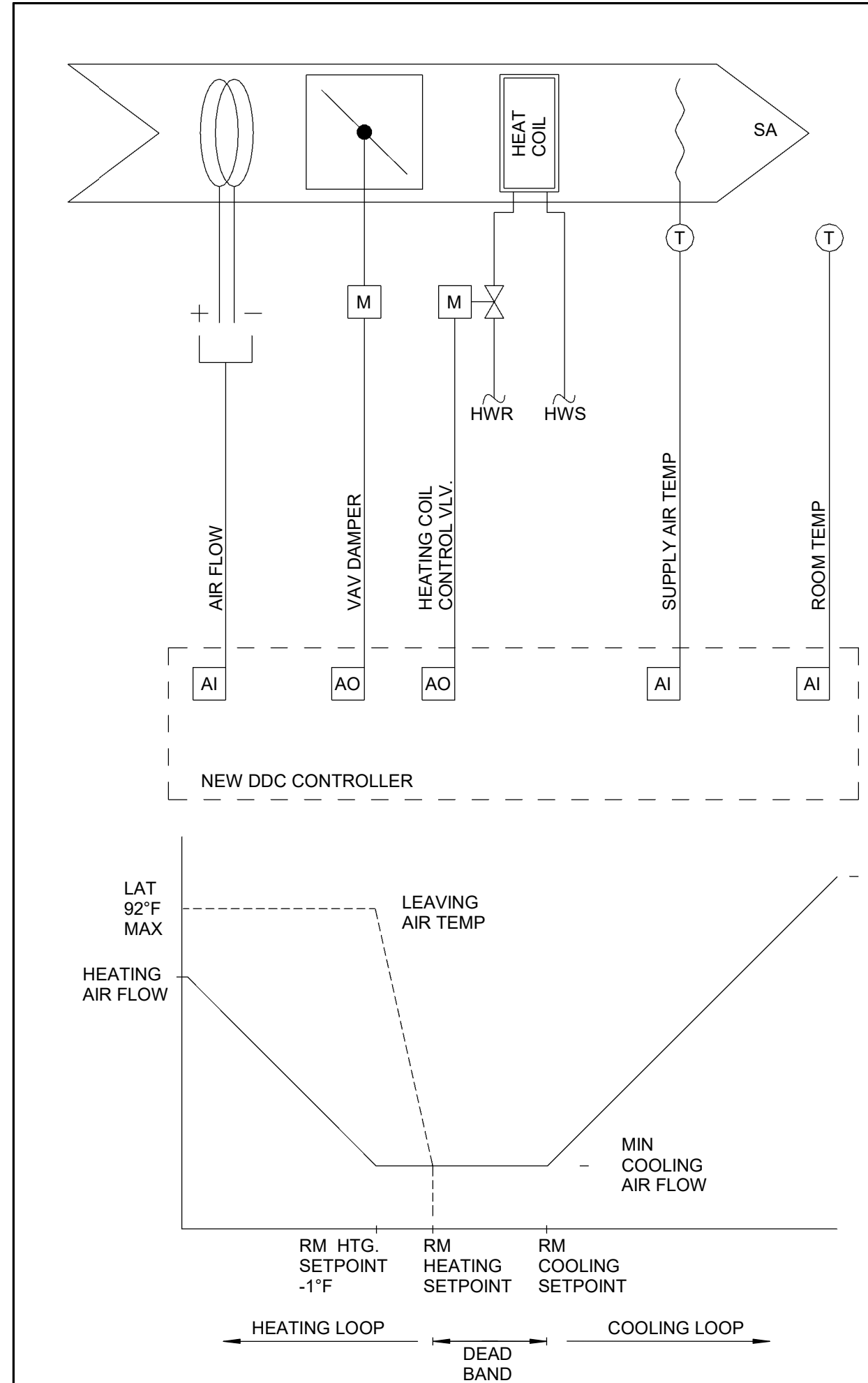
SEQUENCE OF OPERATION

A. THE NEW FAN POWERED VAV BOXES INCLUDE PNEUMATIC FLOW TAPS FROM THE AIR FLOW SENSOR ON THE BOX INLET AND AN INTEGRAL DAMPER WITH PROTRUDING SHAFT. ALL OTHER CONTROL COMPONENTS SHALL BE FURNISHED BY THE T.C. SUBCONTRACTOR.

B. VARIABLE VOLUME CONTROL: PROVIDE INDEPENDENT HEATING AND COOLING SETPOINTS; THE INITIAL HEATING SETPOINT SHALL BE 70 DEG. F. AND COOLING SETPOINT SHALL BE 73 DEG. F. BOTH ADJUSTABLE. ON A RISE IN SPACE TEMPERATURE THE PRIMARY AIR DAMPER SHALL MODULATE FROM MINIMUM TO MAXIMUM TO MAINTAIN SPACE TEMPERATURE. UPON A DECREASE IN SPACE TEMPERATURE THE PRIMARY AIR DAMPER SHALL CLOSE TO ITS MINIMUM AIRFLOW SETTING; AND AT A TEMPERATURE BELOW ROOM SET POINT THE RECIRCULATING FAN SHALL ENERGIZE AND INTRODUCE WARM PLENUM AIR INTO THE SUPPLY AIR STREAM. UPON A FURTHER DROP IN SPACE TEMPERATURE (1 DEGREE DEADBAND, ADJUSTABLE) THE ELECTRIC HEATING COIL SHALL BE ACTIVATED TO MAINTAIN SPACE TEMPERATURE.

C. DISCHARGE AIR TEMPERATURE SENSOR - PROVIDE A DISCHARGE AIR TEMPERATURE SENSOR IN THE SUPPLY DUCT (FIELD INSTALLED BY THE TEMPERATURE CONTROL SUBCONTRACTOR) FOR EACH REHEAT BOX FOR MONITORING AND TROUBLE SHOOTING PURPOSES. THE SENSOR SHALL BE A PRECISION THERMISTOR TYPE, WITH ACCURACY OF + OR - 0.5 DEG. F., MAXIMUM.

1 FAN POWERED TERMINAL UNIT CONTROL SEQUENCE TERMINAL UNITS: TU-4, 21, 22, 29



SEQUENCE OF OPERATION

A. THE VAV BOX MANUFACTURER SHALL INCLUDE PNEUMATIC FLOW TAPS FROM THE AIR FLOW SENSOR ON THE BOX INLET AND AN INTEGRAL DAMPER WITH PROTRUDING SHAFT. ALL OTHER CONTROL COMPONENTS SHALL BE FURNISHED BY THE T.C. REHEAT BOXES SHALL BE PROVIDED WITH A 2-WAY MODULATING VALVE (EXCEPT WHERE NOTED TO BE 3-WAY TYPE) FURNISHED IN THIS DDC WORK.

B. VARIABLE AIR VOLUME CONTROL - AS THE SPACE TEMPERATURE RISES ABOVE THE COOLING SET POINT THE AIR FLOW DAMPER SHALL MODULATE FROM THE MINIMUM TO THE MAXIMUM COOLING AIRFLOW. THE REHEAT COIL VALVE SHALL BE FULLY CLOSED.

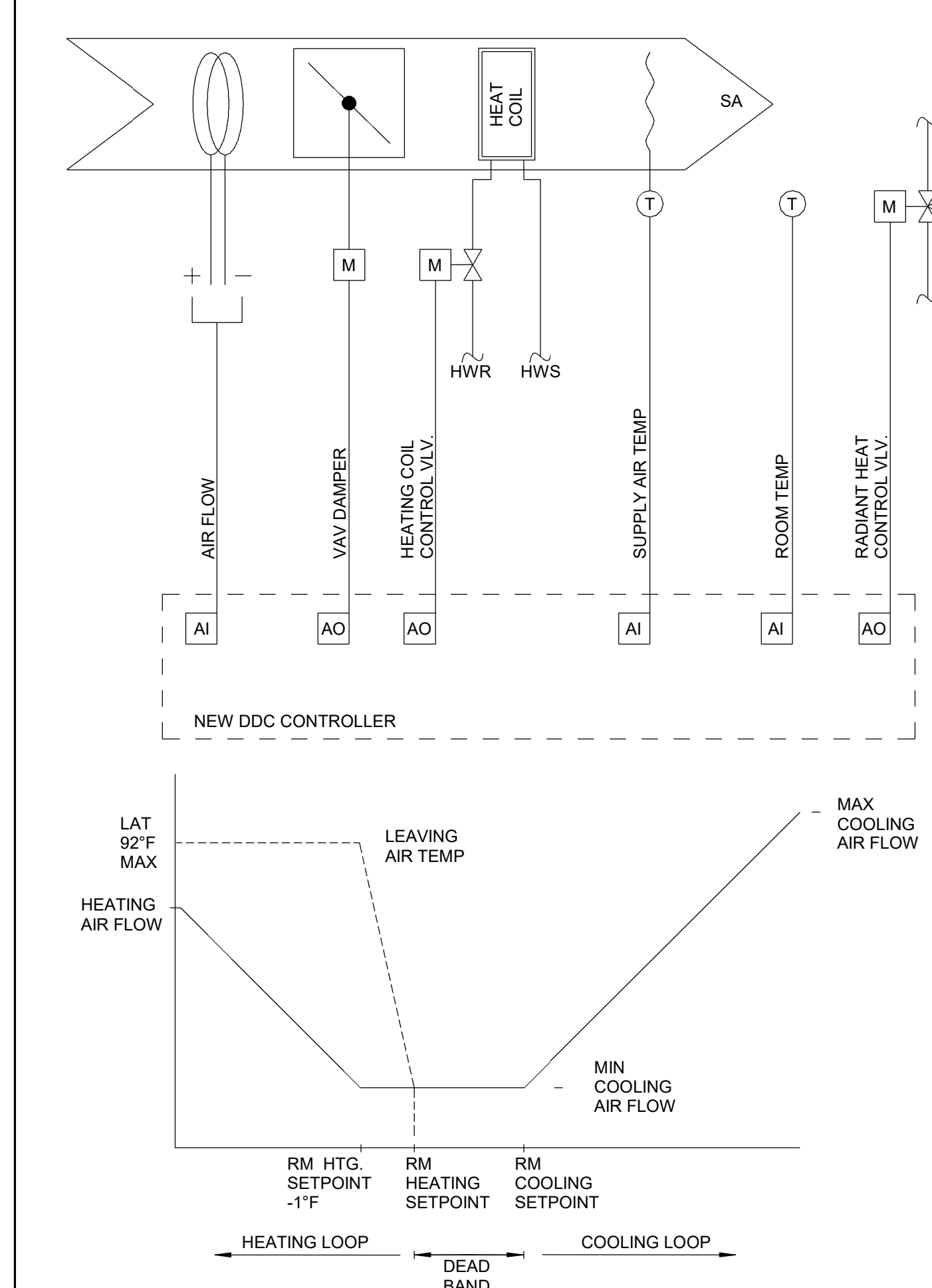
AS THE SPACE TEMPERATURE DROPS TOWARDS THE COOLING SET POINT THE AIR FLOW DAMPER SHALL MODULATE FROM THE MAXIMUM TO THE MINIMUM FLOW RATE.

UPON AN CONTINUED DROP IN SPACE TEMPERATURE, THROUGH A DEADBAND THE TERMINAL UNIT SHALL THEN ENTER THE HEATING MODE. THE AIR FLOW SHALL BE SET AT THE MINIMUM FLOW AND THE REHEAT VALVE SHALL BE MODULATED TOWARDS THE OPEN POSITION. THE UNIT DISCHARGE AIR TEMPERATURE SHALL BE RESET VIA A PID LOOP FROM 55 DEG. F UP T 92 DEG F BASED ON ROOM TEMPERATURE BELOW THE HEATING SET POINT.

C. AS THE SPACE TEMPERATURE CONTINUES TO DROP THE AIR FLOW SET POINT SHALL BE INCREASED TOWARD THE HEATING AIR FLOW SET POINT. THE MAXIMUM DISCHARGE AIR TEMPERATURE SHALL REMAIN LIMITED TO 92° F.

D. DISCHARGE AIR TEMPERATURE SENSOR - PROVIDE A DISCHARGE AIR TEMPERATURE SENSOR IN THE SUPPLY DUCT (FIELD INSTALLED BY THE TEMPERATURE CONTROL SUBCONTRACTOR) FOR EACH REHEAT BOX FOR CONTROL, MONITORING AND TROUBLE SHOOTING PURPOSES. THE SENSOR SHALL BE A PRECISION THERMISTOR TYPE, WITH ACCURACY OF + OR - 0.5 DEG. F., MAXIMUM.

2 AIR TERMINAL UNIT CONTROL DIAGRAM TERMINAL UNITS: TU-19, 20, 23, 24, 26, 28, 33, 34, 35, 36, 38, 39, 40, 41, 42
N.T.S.



SEQUENCE OF OPERATION

A. THE VAV BOX MANUFACTURER SHALL INCLUDE PNEUMATIC FLOW TAPS FROM THE AIR FLOW SENSOR ON THE BOX INLET AND AN INTEGRAL DAMPER WITH PROTRUDING SHAFT. ALL OTHER CONTROL COMPONENTS SHALL BE FURNISHED BY THE T.C. REHEAT BOXES SHALL BE PROVIDED WITH A 2-WAY MODULATING VALVE (EXCEPT WHERE NOTED TO BE 3-WAY TYPE) FURNISHED IN THIS DDC WORK.

B. VARIABLE AIR VOLUME CONTROL - AS THE SPACE TEMPERATURE RISES ABOVE THE COOLING SET POINT THE AIR FLOW DAMPER SHALL MODULATE FROM THE MINIMUM TO THE MAXIMUM COOLING AIRFLOW. THE REHEAT COIL VALVE SHALL BE FULLY CLOSED.

AS THE SPACE TEMPERATURE DROPS TOWARDS THE COOLING SET POINT THE AIR FLOW DAMPER SHALL MODULATE FROM THE MAXIMUM TO THE MINIMUM FLOW RATE.

UPON AN CONTINUED DROP IN SPACE TEMPERATURE, THROUGH A DEADBAND THE TERMINAL UNIT SHALL THEN ENTER THE HEATING MODE. OPEN THE RESPECTIVE RADIANT PANEL CONTROL VALVE. THE AIR FLOW SHALL BE SET AT THE MINIMUM FLOW AND THE REHEAT VALVE SHALL BE MODULATED TOWARDS THE OPEN POSITION. THE UNIT DISCHARGE AIR TEMPERATURE SHALL BE RESET VIA A PID LOOP FROM 55 DEG. F UP T 92 DEG F BASED ON ROOM TEMPERATURE BELOW THE HEATING SET POINT.

C. AS THE SPACE TEMPERATURE CONTINUES TO DROP THE AIR FLOW SET POINT SHALL BE INCREASED TOWARD THE HEATING AIR FLOW SET POINT. THE MAXIMUM DISCHARGE AIR TEMPERATURE SHALL REMAIN LIMITED TO 92° F.

D. DISCHARGE AIR TEMPERATURE SENSOR - PROVIDE A DISCHARGE AIR TEMPERATURE SENSOR IN THE SUPPLY DUCT (FIELD INSTALLED BY THE TEMPERATURE CONTROL SUBCONTRACTOR) FOR EACH REHEAT BOX FOR CONTROL, MONITORING AND TROUBLE SHOOTING PURPOSES. THE SENSOR SHALL BE A PRECISION THERMISTOR TYPE, WITH ACCURACY OF + OR - 0.5 DEG. F., MAXIMUM.

3 AIR TERMINAL UNIT WITH RADIANT HEAT CONTROL DIAGRAM TERMINAL UNITS: TU-3, 18, 25, 27, 32, 37
N.T.S.

CONTROLS SCOPE OF WORK

CONTROLS WORK CONSISTS OF REPLACEMENT OF EXISTING TERMINAL UNIT CONTROLS, INCLUDING ROOM SENSORS, VALVES, AND DISCHARGE AIR SENSORS. ALL ITEMS DEPICTED ON THIS DRAWING SHALL BE NEW.

PER SPECIFICATION 23 0923, THE SYSTEM SHALL CONSIST OF A NEW TRIDUUM JACE CONTROLLER/SERVER AND NEW VAV UNITARY CONTROLLERS.

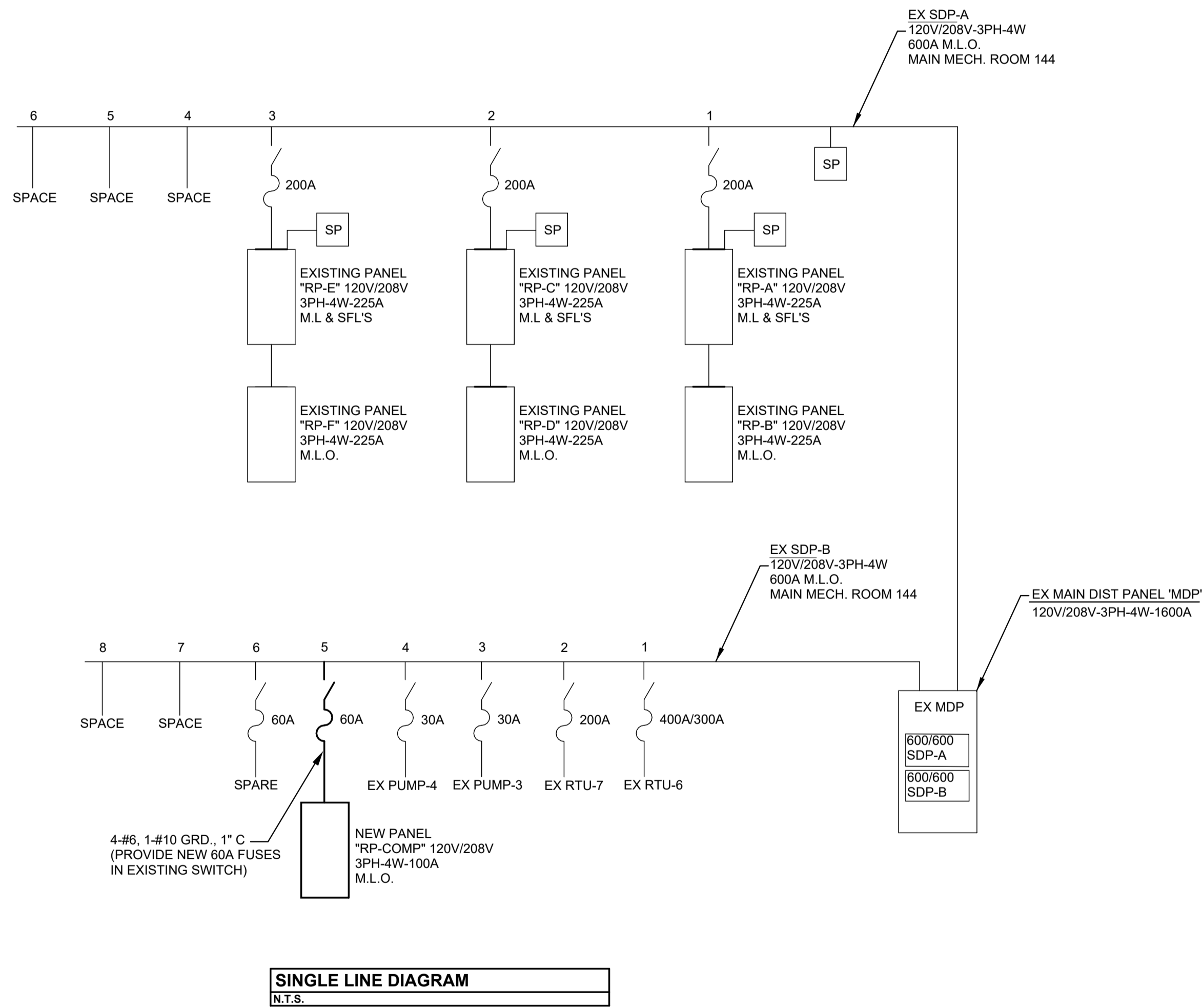
SEE SPECIFICATION FOR ADDITIONAL SCOPE REQUIREMENTS.

NO.	DATE	DESCRIPTION
03/27/25	FOR PERMIT & BID	

DATE	03/27/25
JOB NO.	3961.05
DRAWN	RAD
CHECKED	JDZ
COPYRIGHT © 2025 - App Architecture, Inc.	
TITLE	CONTROLS

3/20/2025 11:36:30 AM

FIXTURE SYMBOL	LUMINAIRE				FIXTURE VOLTAGE	MANUFACTURER & CATALOG NO.	OTHER ACCEPTABLE MANUFACTURERS	DIFFUSING MEDIA	TRIM COLOR				MOUNTED		SIZE			SEE NOTES		
	LED	TYPE	WATTS/FIXTURE	LUMENS/COLOR TEMP					WHITE	BLACK	ALUMINUM	BRONZE	STANDARD	SEE NOTES	S - SURFACE, R - RECESSED, SM - STEM MTD, WM - WALL MTD, C - CHAIN MTD, UC - UNDER CAB, CS - CLG. SURF.	WIDTH	LENGTH		DEPTH	DIAMETER
B1	•		30	3400 LUMENS/4000K	120	CPX 2X2 AL07 SWW7 M4	COLUMBIA, DAYBRITE	MATTE WHITE LENS	•					R (GRID)	24	24	2			
B1E	•		30	3400 LUMENS/4000K	120	CPX 2X2 AL07 SWW7 M4 ILBLP CP10 HE SD A	COLUMBIA, DAYBRITE	MATTE WHITE LENS	•					R (GRID)	24	24	2			
B2	•		36	4600 LUMENS/4000K	120	CPX 2X4 AL08 SWW7 M2	COLUMBIA, DAYBRITE	MATTE WHITE LENS	•					R (GRID)	48	24	2			
B2E	•		36	4600 LUMENS/4000K	120	CPX 2X4 AL08 SWW7 M2 ILBLP CP10 HE SD A	COLUMBIA, DAYBRITE	MATTE WHITE LENS	•					R (GRID)	48	24	2			
C1	•		36	4800 LUMENS/4000K	120	CSS L48 AL03 MVOLT SWW3 80CRI	COLUMBIA, DAYBRITE	FLAT DIFFUSE LENS	•					S	48	3	3			
F1	•		13	1100 LUMENS/3000K	120	WF6 REG SWW5 90CRI MW M6	GREEN CREATIVE, LIGHTOLIER	FLAT WHITE LENS	•					R			2	6		
X1	•		5		120	LQM S W RG MVOLT M6	COMPASS, CHLORIDE	LED EXIT RED LETTERS ON WHITE - SINGLE FACE	•					WM OR CLG SURFACE	2	12	8			
X2	•		5		120	LQM S W RG MVOLT M6	COMPASS, CHLORIDE	LED EXIT RED LETTERS ON WHITE - DOUBLE FACE	•					WM OR CLG SURFACE	2	12	8			
X3	•		5		120	LQM S W RG MVOLT H0 M6	COMPASS, CHLORIDE	LED EXIT RED LETTERS ON WHITE - SINGLE FACE	•					WM OR CLG SURFACE	3	16	8			
REM	•		5		120	LHQM S W RG MVOLT H0 M6	COMPASS, CHLORIDE	EMERGENCY LIGHT - HIGH OUTPUT	•					WM			6	4		



SINGLE LINE DIAGRAM
N.T.S.

GENERAL NOTES

- ALL WORK SHALL BE IN ACCORDANCE WITH THE 2024 OHIO BUILDING CODE, INCLUDING REFERENCED CODES AND STANDARDS, ALL LOCAL AND STATE CODES AND MEET APPROVAL OF AUTHORITIES HAVING JURISDICTION.
- BIDDERS SHALL INSPECT PROJECT SITE EXISTING CONDITIONS DURING BIDDING.
- INCLUDE PAYMENT OF ALL PERMIT AND INSPECTION FEES AND OBTAIN AN ELECTRICAL PERMIT AND SECURE INSPECTION AND APPROVAL OF THE CODE OFFICIAL.
- SUBMIT AN ELECTRONIC COPY OF SUBMITTAL DATA AND DESCRIPTIVE LITERATURE IN .PDF FORMAT FOR ALL FIXTURES AND EQUIPMENT.
- WORKMANSHIP SHALL BE OF THE HIGHEST QUALITY AND REPRESENT THE BEST PRACTICES OF THE INDUSTRY.
- COORDINATE INSTALLATION WITH OTHER TRADES; PROVIDE OFFSETS AS REQUIRED.
- INSTALL ALL MATERIALS AND EQUIPMENT IN ACCORDANCE WITH MANUFACTURERS REQUIREMENTS.
- COORDINATE EACH ROUGH-IN INSTALLATION REQUIREMENTS AND LOCATIONS WITH OTHER TRADES, ACTUAL EQUIPMENT OR CABINETRY PROVIDED AND FIELD CONDITIONS BEFORE PERFORMING WORK.
- REFER TO ARCHITECTURAL DRAWING ELEVATIONS FOR MOUNTING LOCATION INFORMATION, ARRANGEMENT AND HEIGHT FOR ALL DEVICES AT FURNISHINGS, CASEWORK, ETC.
- REFER TO ARCHITECTURAL REFLECTED CEILING PLANS FOR EXACT LOCATION OF ALL LIGHTING FIXTURES. WHERE DISCREPANCIES MAY OCCUR BETWEEN THE ELECTRICAL PLANS AND THE ARCHITECTURAL CEILING PLANS ON QUANTITY OF FIXTURES, THE ELECTRICAL PLANS SHALL TAKE PRECEDENCE. COORDINATE FIXTURE LOCATIONS WITH OTHER TRADES TO AVOID CONFLICTS WITH PIPING AND DUCTWORK.
- ALL EQUIPMENT AND MATERIAL REQUIRED FOR COMPLETE AND FUNCTIONAL ELECTRICAL SYSTEMS SHALL BE INCLUDED IN THE CONTRACT.

FIRE ALARM SYSTEM SPECIFICATIONS

- FURNISH AND INSTALL NEW FIRE ALARM DEVICES TO MATCH AND BE COMPATIBLE WITH THE BUILDING'S EXISTING FIRE ALARM SYSTEM. THE E.C. SHALL UTILIZE THE BUILDING'S FIRE ALARM VENDOR FOR THE EXTENSION OF THE EXISTING SYSTEM AND SHALL PROVIDE ADDITIONAL POWER SUPPLY, BATTERY, TRANSDUCER REQUIREMENTS TO SUPPORT DEVICES AS A PART OF THIS FLOOR REMODEL. THE E.C. SHALL BE RESPONSIBLE FOR OBTAINING FIRE ALARM PERMITTING AND INSPECTION PER THE LOCAL AHJ. THE E.C. SHALL FOLLOW THE EXISTING BUILDING INSTALLATION METHODS FOR CONDUIT AND CABLING AND DEVICES. PROVIDE BACKBOXES FOR FLUSH DEVICES. PROVIDE RED FINISHED BACKBOXES FOR SURFACE/SEMI-FLUSH MOUNTED DEVICES.
- ALL FIRE ALARM SYSTEM WIRING SHALL BE INSTALLED IN CONDUIT. CONDUIT, BOXES AND COVERS SHALL BE RED COLOR. MINIMUM CONDUIT SIZE SHALL BE 0.75" TRADE SIZE, EXCEPT WHERE REQUIRED FOR SURFACE MOUNTED DEVICES. UTILIZE IVORY SURFACE RACEWAY EQUAL TO WIREMOLD V700 SERIES.
- CONTRACTOR SHALL MATCH EXISTING FIRE ALARM WIRING, RACEWAY, WIRING METHODS AND WIRING COLOR CODING. ALL FIRE ALARM CABLING SHALL BE INSTALLED IN CONDUIT.

ELECTRICAL LEGEND

- ELECTRICAL CONNECTION REQUIRED.
- EXIT LIGHTING FIXTURE. ARROWS AS INDICATED.
- LIGHTING FIXTURE: CAPITAL LETTER DENOTES FIXTURES TYPE. LOWER CASE LETTER DENOTES SWITCHING ARRANGEMENT.
- LIGHTING FIXTURE ON NIGHT LIGHT OR EMERGENCY CIRCUIT.
- WIRE RUN IN SURFACE RACEWAY.
- WIRE & CONDUIT FOR NIGHT LIGHT CIRCUITRY.
- WIRE & CONDUIT FOR EMERGENCY CIRCUITRY.
- EXISTING WIRE & CONDUIT.
- WIRE & CONDUIT IN WALL OR ABOVE CEILING
- WIRE & CONDUIT UNDERGROUND
- JUNCTION BOX.
- DASHED SYMBOL INDICATES THAT PARTICULAR OUTLET OR DEVICE TO BE REMOVED AND CIRCUITRY MADE CONTINUOUS WHERE REQUIRED.
- EXISTING OUTLET OR DEVICE TO REMAIN, MAINTAIN EXISTING CIRCUITRY.
- 20A-125V DUPLEX RECEPTACLE, NEMA 5-20R (18" M.H.).
- 20A-125V DOUBLE DUPLEX RECEPTACLE, NEMA 5-20R, (18" M.H.) TWO-GANG ASSEMBLY. D = DOUBLE DUPLEX.
- 20A-125V DUPLEX RECEPTACLE, NEMA 5-20R, (46" M.H.) UNLESS OTHERWISE INDICATED D = DOUBLE DUPLEX.
- 20A-125V DUPLEX RECEPTACLE, NEMA 5-20R, IN HUBBELL BA-2436 FLUSH FLOOR BOX WITH SA-3825 COVERPLATE. PROVIDE CARPET FLANGE WHERE REQUIRED.
- SINGLE POLE WALL SWITCH (46" M.H.)
- THREE-WAY WALL SWITCH (46" M.H.).
- LIGHTING 0-10V LED DIMMER SWITCH WITH PRESET SLIDE CONTROL AND POWER ON-OFF 'DECORATOR' STYLE SWITCH (46" M.H.) UNLESS OTHERWISE INDICATED.
- LIGHTING 0-10V LED DIMMER SWITCH WITH PRESET SLIDE CONTROL AND 3-WAY POWER ON-OFF 'DECORATOR' STYLE SWITCH (46" M.H.) UNLESS OTHERWISE INDICATED.
- 0-10V LED COMBINATION VACANCY SENSOR AND DIMMER SWITCH WITH PRESET SLIDE CONTROL AND SEPARATE ON-OFF 'DECORATOR' STYLE SWITCH (46" M.H.) UNLESS OTHERWISE INDICATED, RATED MIN. 800 WATTS.
- OCCUPANCY SENSOR, CEILING MOUNTED.
- CIRCUIT BREAKER PANEL, FLUSH MOUNTED.
- POWER PANEL OR SWITCHBOARD, SURFACE MOUNTED.
- LINE VOLTAGE THERMOSTAT.
- NEW DATA OUTLET (18" M.H. UNLESS OTHERWISE INDICATED). TWO GANG OUTLET BOX WITH SINGLE GANG TRIM RING AND BLANK COVERPLATE. STUB AN EMPTY 1.0" BUSHED CONDUIT OUT ABOVE ACCESSIBLE CEILING.
- EXISTING DATA OUTLET (18" M.H. UNLESS OTHERWISE INDICATED M.H.). TWO GANG OUTLET BOX WITH SINGLE GANG TRIM RING AND BLANK COVERPLATE. STUB AN EMPTY 1.0" BUSHED CONDUIT OUT ABOVE ACCESSIBLE CEILING.
- TELEPHONE/DATA FLOOR OUTLET, HUBBELL BA-2436 FLUSH FLOOR OUTLET BOX AND SA-3826 COVERPLATE WITH 0.75" BUSHED CONDUIT TO ABOVE ACCESSIBLE CEILING. PROVIDE CARPET FLANGE WHERE REQUIRED.
- WIRELESS WIFI ACCESS POINT, CEILING MOUNTED.
- FIRE ALARM HORN & SIGNAL LIGHT (80" A.F.F.), # WHEN SHOWN INDICATES CANDELA RATING OF STROBE. WHEN A # IS NOT SHOWN, THE STROBE SHALL BE RATED 110 CANDELA.
- FIRE ALARM SIGNALING LIGHT (80" A.F.F.), # WHEN SHOWN INDICATES CANDELA RATING OF STROBE. WHEN A # IS NOT SHOWN, THE STROBE SHALL BE RATED 110 CANDELA.
- FIRE ALARM SENDING STATION (46" M.H.).
- TELEVISION MONITOR RECEPTACLE AND CABLE OUTLET BOX ASSEMBLY REFER TO TV WALL BOX DETAIL - T1
- CCTV CAMERA ROUGH-IN.
- DOOR ACCESS CONTROL SYSTEM CARD READER - 46" M.H. REFER TO DETAIL.

GENERAL LEGEND

- EC ELECTRICAL CONTRACTOR.
- FC FIRE PROTECTION CONTRACTOR.
- GC GENERAL CONTRACTOR.
- HC HVAC CONTRACTOR.
- PC PLUMBING CONTRACTOR.
- TC TEMPERATURE CONTROLS CONTRACTOR.
- NIC NOT IN CONTRACT.
- AFF ABOVE FINISHED FLOOR - TO BOTTOM OF ITEM UNLESS INDICATED OTHERWISE IN DRAWING.
- (E) EXISTING.
- ES EQUIPMENT SUPPLIER.
- EM EMERGENCY.
- MH MOUNTING HEIGHT.
- S SURFACE MOUNTED.
- WP WEATHER PROOF.
- NOTE SYMBOL - APPLIES ONLY TO SHEET ON WHICH IS SHOWN.
- DETAIL NOTE SYMBOL - APPLIES ONLY TO DETAIL ON WHICH IS SHOWN.
- EQUIPMENT REFERENCE SYMBOL. ELECTRICAL CONNECTION REQUIRED.
- EQUIPMENT REFERENCE SYMBOL. NO ELECTRICAL CONNECTION REQUIRED.
- ROOM NUMBER.
- DETAIL SYMBOL. DETAIL "B" SHOWN ON SHEET E2.
- SECTION SYMBOL. SECTION "A" DESIGNATION, SHOWN ON SHEET E1.
- CONNECTION, NEW TO EXISTING.
- UP TO SYMBOL. UP TO "FD1", SHOWN ON FLOOR ABOVE.
- 1 HOUR FIRE PROTECTION. SEE SPECIFICATION FOR PENETRATION DETAILS.
- 2 HOUR FIRE PROTECTION. SEE SPECIFICATION FOR PENETRATION DETAILS.
- 3 HOUR FIRE PROTECTION. SEE SPECIFICATION FOR PENETRATION DETAILS.
- ITEM TO BE REMOVED.
- EXISTING TO REMAIN.
- NEW ITEM.

ELECTRICAL INDEX OF DRAWINGS

SHEET	DRAWINGS TITLE
E0.1	LEGENDS AND SCHEDULES
E0.2	PANEL SCHEDULES
E1.1	DEMOLITION
E2.1	NEW LIGHTING PLAN
E3.1	NEW POWER PLAN
E4.1	NEW SYSTEMS PLAN

APP Architecture
creative focused design

615 Woodside Drive, Englewood, Ohio 45322
T 937.836.8898 F 937.832.3696
www.app-arch.com



JEFFERY D. ZELINSKI, LICENSE #63822
EXPIRATION DATE 12/31/2025

DARKE COUNTY
WAGNER AVENUE
INTERIOR RENOVATION

631 WAGNER AVENUE, GREENVILLE, OHIO 45331

ISSUE	
NO.	DATE DESCRIPTION
03/27/25	FOR PERMIT & BID
DATE	03/24/25
JOB NO.	3961.05
DRAWN	AP
CHECKED	TR
COPYRIGHT © 2025 - App Architecture, Inc.	
TITLE LEGENDS AND SCHEDULES	
SHEET NO. E0.1	

Switchboard: SDP-B
 Location: MECHANICAL 144
 Supply From: Surface
 Mounting: Surface
 Enclosure: Type 1

Volts: 120/208 Wye
 Phases: 3
 Wires: 4

A.I.C. Rating:
 Mains Type: M.L.O
 Mains Rating: 600 A
 MCB Rating: 600 A

Notes:

CKT	Circuit Description	# of Poles	Frame Size	Trip Rating	Load	Wire Size	Feed	Cond. Size
1	RTU-6	1	400 A	400 A	0 VA	--		
2	RTU-7	1	400 A	200 A	0 VA	--		
3	PUMP-3	1	400 A	30 A	0 VA	--		
4	PUMP-4	1	400 A	30 A	0 VA	--		
5	RP-COMP	3	400 A	60 A	8040 VA	3-#6, 1-#10		
6	Spare	1	400 A	60 A	0 VA	--		
7	Space	1	--	--	--	--		
8	Space	1	--	--	--	--		
Total Conn. Load:					8040 VA			
Total Amps:					22 A			

Legend:

Load Classification	Connected Load	Demand Factor	Estimated...	Panel Totals
Lighting	0 VA	0.00%	0 VA	
Motor	3000 VA	116.67%	3500 VA	Total Conn. Load: 8040 VA
Other	0 VA	0.00%	0 VA	Total Est. Demand: 8540 VA
Receptacles	5040 VA	100.00%	5040 VA	Total Conn. Current: 22 A
				Total Est. Demand Current: 24 A

Notes:
 LOAD TOTALE IS ANTICIPATED ADDITIONAL SERVICE LOAD BASED ON ADDED EQUIPMENT POWER.

Branch Panel: RP-C
 Construction: Existing (GE)
 System: Normal Power

LOCATION: OPEN OFFICE 170
 SUPPLY FROM: 120/208 Wye-3-4
 VOLTAGE: 120/208 Wye-3-4

MOUNTING: Flush
 ENCLOSURE: Type 1
 MCB RATING: 1 A

A.I.C. RATING
 MAINS TYPE: M.L.O
 MAINS RATING: 225 A

CKT	Description	Trip	Poles	Note	A	B	C	Note	Poles	Trip	Description	CKT
1	Rm 175 Black	20 A	1		0 VA	0 VA			1	20 A	Unknown	2
3	Rm 174 Red	20 A	1			0 VA	0 VA		1	20 A	Rm 101	4
5	Rm 173 Blue	20 A	1				0 VA	0 VA	1	20 A	Rm 161	6
7	Rm 172	20 A	1		0 VA	0 VA			1	20 A	Rm 101	8
9	Rm 181	20 A	1			0 VA	0 VA		1	20 A	Comp	10
11	Rm 182	20 A	1				0 VA	0 VA	1	20 A	Comp	12
13	Rm 183	20 A	1		0 VA	0 VA			1	20 A	Comp	14
15	Rm 188	20 A	1			0 VA	0 VA		1	20 A	Comp	16
17	Unknown	20 A	1				0 VA	0 VA	1	20 A	Rm 194 & 165	18
19	Rm 188	20 A	1		0 VA	0 VA			1	20 A	Rm 177 Black	20
21	Rm 184	20 A	1			0 VA	0 VA		1	20 A	Rm 178	22
23	Rm 185	20 A	1				0 VA	0 VA	1	20 A	Rm 179	24
25	Rm 190	20 A	1		0 VA	0 VA			1	20 A	Rm 163	26
27	Rm 170	20 A	1			0 VA	0 VA		1	20 A	Rm 164	28
29	Unknown	20 A	1				0 VA	0 VA	1	20 A	Rm 165	30
31	Rm 170	20 A	1		0 VA	0 VA			1	20 A	Unknown	32
33	Rm 170	20 A	1			0 VA	0 VA		1	20 A	Rm 188	34
35	Rm 170	20 A	1				0 VA	0 VA	1	20 A	Rm 188	36
37	Unknown	20 A	1		0 VA	0 VA			1	20 A	Rm 188	38
39	Unknown	20 A	1			0 VA	0 VA		1	20 A	Unknown	40
41	Rm 171	20 A	1				0 VA	0 VA	1	20 A	Rm 188	42
Total Load:					0 VA	0 VA	0 VA					

NOTES:
 1: UTILIZE EXISTING CIRCUIT MADE SPARE DUE TO DEMO

Load Classification	Connected Load	Demand Factor	Estimated...	Panel Totals
Lighting	0 VA	0.00%	0 VA	
Motor	0 VA	0.00%	0 VA	Total Conn. Load: 0 VA
Other	0 VA	0.00%	0 VA	Total Est. Demand: 0 VA
Receptacles	5580 VA	100.00%	5580 VA	Total Conn. Current: 0 A
				Total Est. Demand Current: 0 A

NO NEW LOADS ANTICIPATED

Branch Panel: RP-D
 Construction: Existing (GE)
 System: Normal Power

LOCATION: OPEN OFFICE 170
 SUPPLY FROM: 120/208 Wye-3-4
 VOLTAGE: 120/208 Wye-3-4

MOUNTING: Flush
 ENCLOSURE: Type 1
 MCB RATING: 1 A

A.I.C. RATING
 MAINS TYPE: M.L.O
 MAINS RATING: 225 A

CKT	Description	Trip	Poles	Note	A	B	C	Note	Poles	Trip	Description	CKT
1	Unknown	20 A	1		0 VA	0 VA			1	20 A	Pop Machine	2
3	Lights	20 A	1	1		0 VA	0 VA		1	20 A	Lights	4
5	Lights	20 A	1	1			0 VA	0 VA	1	20 A	Lights	6
7	Lights	20 A	1	1	0 VA	0 VA			1	20 A	Lights Rm 171	8
9	Lights	20 A	1	1		0 VA	0 VA		1	20 A	Unknown	10
11	Unknown	20 A	1				0 VA	0 VA	1	20 A	Unknown	12
13	4 + Breaker Rm	20 A	1		0 VA	0 VA			1	20 A	Unknown	14
15	162 AC Unit	20 A	1			0 VA	0 VA		1	20 A	Unknown	16
17	Rm 165	20 A	1				0 VA	0 VA	1	20 A	Copy Rm 173	18
19	4 + Breaker Rm	20 A	1		0 VA	0 VA			1	20 A	Unknown	20
21	Rm 188	20 A	1			0 VA	0 VA		1	20 A	Rm 165	22
23	TVS TG-60	30 A	3				0 VA	0 VA	3	30 A	Spare	24
25	--	--	--		0 VA	0 VA			--	--	--	26
27	--	--	--			0 VA	0 VA		--	--	--	28
29	Power pole 170	20 A	1				0 VA	360 VA	1	20 A	Office 170	30
31	Copier Rm 170	20 A	1		180 VA	735 VA			1	20 A	Lts office 170	32
33	Lts 171, 173	20 A	1			1050 VA	900 VA		1	20 A	171 Recp	34
35	OMJ 173 Rec	20 A	1				360 VA	900 VA	1	20 A	171 Recp	36
37	OMJ 173 Rec	20 A	1		900 VA	1260 VA			1	20 A	171 Recp	38
39	OMJ 173 Rec	20 A	1			1080 VA	360 VA		1	20 A	Corr 171A Rec	40
41	Space	--	1				--	180 VA	1	20 A	Copier 171A	42
Total Load:					3075 VA	3390 VA	1800 VA					

NOTES:
 1: UTILIZE EXISTING CIRCUIT MADE SPARE DUE TO DEMO

Load Classification	Connected Load	Demand Factor	Estimated...	Panel Totals
Lighting	1785 VA	125.00%	2231 VA	
Other	0 VA	0.00%	0 VA	Total Conn. Load: 8265 VA
Power	900 VA	100.00%	900 VA	Total Est. Demand: 8711 VA
Receptacles	5580 VA	100.00%	5580 VA	Total Conn. Current: 23 A
				Total Est. Demand Current: 24 A

NO NEW LOADS ANTICIPATED

Branch Panel: RP-COMP
 Construction: New
 System: Normal Power

LOCATION: SERVER 162
 SUPPLY FROM: SDP-B
 VOLTAGE: 120/208 Wye-3-4

MOUNTING: Surface
 ENCLOSURE: Type 1
 MCB RATING: 1 A

A.I.C. RATING
 MAINS TYPE: M.L.O
 MAINS RATING: 100 A

CKT	Description	Trip	Poles	Note	A	B	C	Note	Poles	Trip	Description	CKT
1	Lobby 101 Rec	20 A	1		360 VA	360 VA			1	20 A	Comp	2
3	Lobby 101 Rec	20 A	1			900 VA	360 VA		1	20 A	Comp	4
5	Lobby 101 Rec	20 A	1				720 VA	360 VA	1	20 A	Comp	6
7	Lobby 101 Rec	20 A	1		180 VA	360 VA			1	20 A	Comp	8
9	Lobby 101 Rec	20 A	1			720 VA	180 VA		1	20 A	Copier Rm 177	10
11	Reception 177	20 A	1				540 VA	1500 VA	2	30 A	Server AC	12
13					1500 VA				--	--	--	14
15												16
17												18
19												20
21												22
23												24
25												26
27												28
29												30
Total Load:					2760 VA	2160 VA	3120 VA					

NOTES:
 1: UTILIZE EXISTING CIRCUIT MADE SPARE DUE TO DEMO

Load Classification	Connected Load	Demand Factor	Estimated...	Panel Totals
Lighting	0 VA	0.00%	0 VA	
Motor	3000 VA	116.67%	3500 VA	Total Conn. Load: 8040 VA
Other	0 VA	0.00%	0 VA	Total Est. Demand: 8540 VA
Receptacles	5040 VA	100.00%	5040 VA	Total Conn. Current: 22 A
				Total Est. Demand Current: 24 A

NEW LOADS ANTICIPATED DUE TO RENOVATION

Branch Panel: RP-E
 Construction: Existing (GE)
 System: Normal Power

LOCATION: CORRIDOR 130
 SUPPLY FROM: 120/208 Wye-3-4
 VOLTAGE: 120/208 Wye-3-4

MOUNTING: Flush
 ENCLOSURE: Type 1
 MCB RATING: 1 A

A.I.C. RATING
 MAINS TYPE: M.L.O
 MAINS RATING: 225 A

CKT	Description	Trip	Poles	Note	A	B	C	Note	Poles	Trip	Description	CKT
1	Rm 157	20 A	1		0 VA	0 VA			1	20 A	Rm 131	2
3	Rm 156	20 A	1			0 VA	0 VA		1	20 A	Rm 131	4
5	Rm 155	20 A	1				0 VA	0 VA	1	20 A	Rm 132	6
7	Rm 154	20 A	1		0 VA	0 VA			1	20 A	Rm 133	8
9	Rm 153	20 A	1			0 VA	0 VA		1	20 A	Rm 134	10
11	Rm 152	20 A	1				0 VA	0 VA	1	20 A	Rm 135	12
13	Rm 151	20 A	1		0 VA	0 VA			1	20 A	Rm 136	14
15	Rm 149	20 A	1			0 VA	0 VA		1	20 A	Rm 138	16
17	Rm 148	20 A	1				0 VA	0 VA	1	20 A	Rm 139	18
19	Rm 147-147A	20 A	1		0 VA	0 VA			1	20 A	Rm 140	20
21	Rm 146	20 A	1			0 VA	0 VA		1	20 A	Rm 141	22
23	Rm 145	20 A	1				0 VA	0 VA	1	20 A	Rm 142	24
25	Rm 144	20 A	1		0 VA	0 VA			1	20 A	Rm 143	26
27	Rm 144	20 A	1			0 VA	0 VA		1	20 A	Rm 137	28
29	Rm 166	20 A	1				0 VA	1620 VA	1	20 A	Family1 Rec	30
31	Rm 167	20 A	1		0 VA	0 VA			1	20 A	Pwr Pole 130	32
33	Family5&6 Rec	20 A	1	1		1800 VA	360 VA		1	20 A	Rec Rm 130	34
35	Family4&7 Rec	20 A	1	1			1800 VA	180 VA	1	20 A	Copier Rm 130	36
37	Family3&8 Rec	20 A	1	1	1800 VA	180 VA			1	20 A	Copier Rm 130	38
39	Family2&9 Rec	20 A	1	1		1800 VA	0 VA		2	30 A	Washer	40
41	Unknown	20 A	1				0 VA	0 VA	--	--	--	42
Total Load:					1980 VA	3960 VA	3600 VA					

NOTES:
 1: UTILIZE EXISTING CIRCUIT MADE SPARE DUE TO DEMO

Load Classification	Connected Load	Demand Factor	Estimated...	Panel Totals
Lighting	0 VA	0.00%	0 VA	
Other	0 VA	0.00%	0 VA	Total Conn. Load: 9540 VA
Receptacles	9540 VA	100.00%	9540 VA	Total Est. Demand: 9540 VA
				Total Conn. Current: 26 A
				Total Est. Demand Current: 26 A

NO NEW LOADS ANTICIPATED

Branch Panel: RP-F
 Construction: Existing (GE)
 System: Normal Power

LOCATION: CORRIDOR 130
 SUPPLY FROM: 120/208 Wye-3-4
 VOLTAGE: 120/208 Wye-3-4

MOUNTING: Flush
 ENCLOSURE: Type 1
 MCB RATING: 1 A

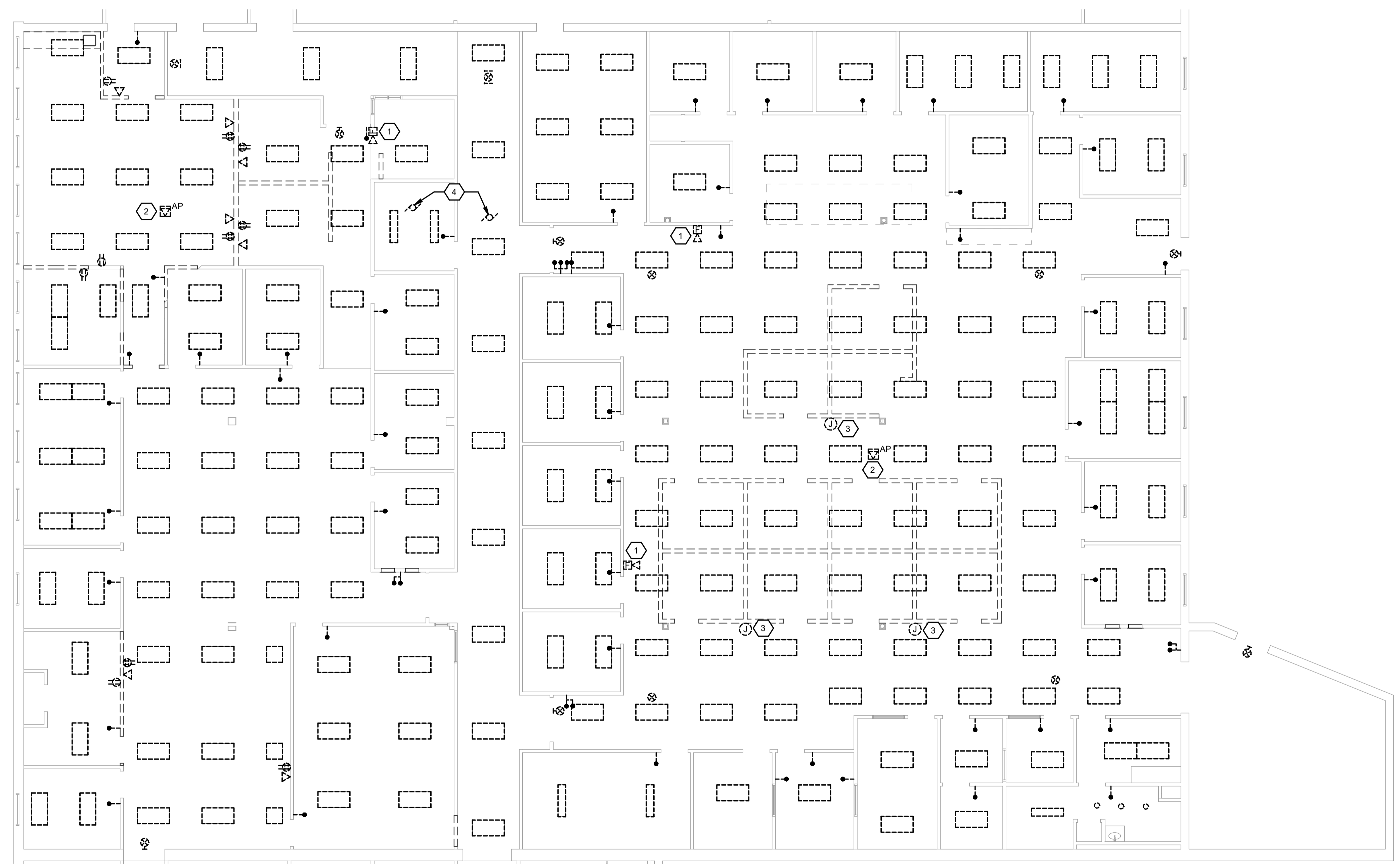
A.I.C. RATING
 MAINS TYPE: M.L.O
 MAINS RATING: 225 A

CKT	Description	Trip	Poles	Note	A	B	C	Note	Poles	Trip	Description	CKT
1	MVA	20 A	3		0 VA	0 VA			1	20 A	TC Panel	2
3	--	--	--			0 VA	0 VA		1	20 A	Lights	4
5	--	--	--				0 VA	0 VA	1	20 A	Lights	6
7	Water Heater	20 A	1		0 VA	0 VA			1	20 A	Lights	8
9	Lights	20 A	1	1		0 VA	0 VA		1	20 A	Lights	10
11	Lights	20 A	1	1			0 VA	0 VA	1	20 A	Lights	12
13	Lights	20 A	1	1	0 VA	0 VA			1	30 A	Boiler East	14
15	Lights	20 A	1	1		0 VA	0 VA		1	30 A	Boiler West	16
17	Fire Alarm	20 A	1				0 VA	0 VA	1	20 A	Heat Tape	18
19	Spare	20 A	1		0 VA	0 VA			1	20 A	Lights	20
21	Canopy Lights	20 A	1			0 VA	0 VA		1	20 A	Lights	22
23	Outside Lights	20 A	1				0 VA	0 VA	1	1	2	

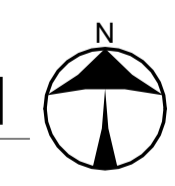
1 | 2 | 3 | 4 | 5 | 6 | 7

A
B
C
D
E
F

- CONSTRUCTION NOTES**
- HORN SIGNALING LIGHT TO BE REUSED AND RELOCATED. REFER TO SHEET E4.1.
 - CEILING MOUNTED WIRELESS ACCESS POINT TO BE REUSED AND RELOCATED. REFER TO SHEET 4.1.
 - DISCONNECT POWER-DATA TO POWER POLE SERVING FURNITURE PARTITIONS, TEMPORARILY COIL AT CEILING FOR RELOCATION, REFER TO NEW WORK PLAN.
 - DISCONNECT AND REMOVE POWER TO EXISTING COMPUTER ROOM AC UNIT FOR REPLACEMENT WITH NEW, COORDINATE REQUIREMENTS WITH H.C.



FIRST FLOOR LIGHTING, POWER AND SYSTEMS DEMO PLAN
 SCALE: 1/8" = 1'-0"



NAUMAN & ZELINSKI LLC.
 204 S. Ludlow Street Suite 400 Dayton, Ohio 45402
 Phone: (937) 293-3821

APP Architecture
 creative focused design
 615 Woodside Drive, Englewood, Ohio 45322
 T 937.836.8898 F 937.832.3696
 www.app-arch.com



DARKE COUNTY
WAGNER AVENUE
INTERIOR RENOVATION
 631 WAGNER AVENUE, GREENVILLE, OHIO 45331

ISSUE		
NO.	DATE	DESCRIPTION
03/27/25		FOR PERMIT & BID

DATE	03/24/25
JOB NO.	3961.05
DRAWN	AP
CHECKED	TR
COPYRIGHT © 2025 - App Architecture, Inc.	
TITLE	DEMOLITION

SHEET NO.
E1.1

3/27/2025 12:41:38 PM

1 2 3 4 5 6 7

A

B

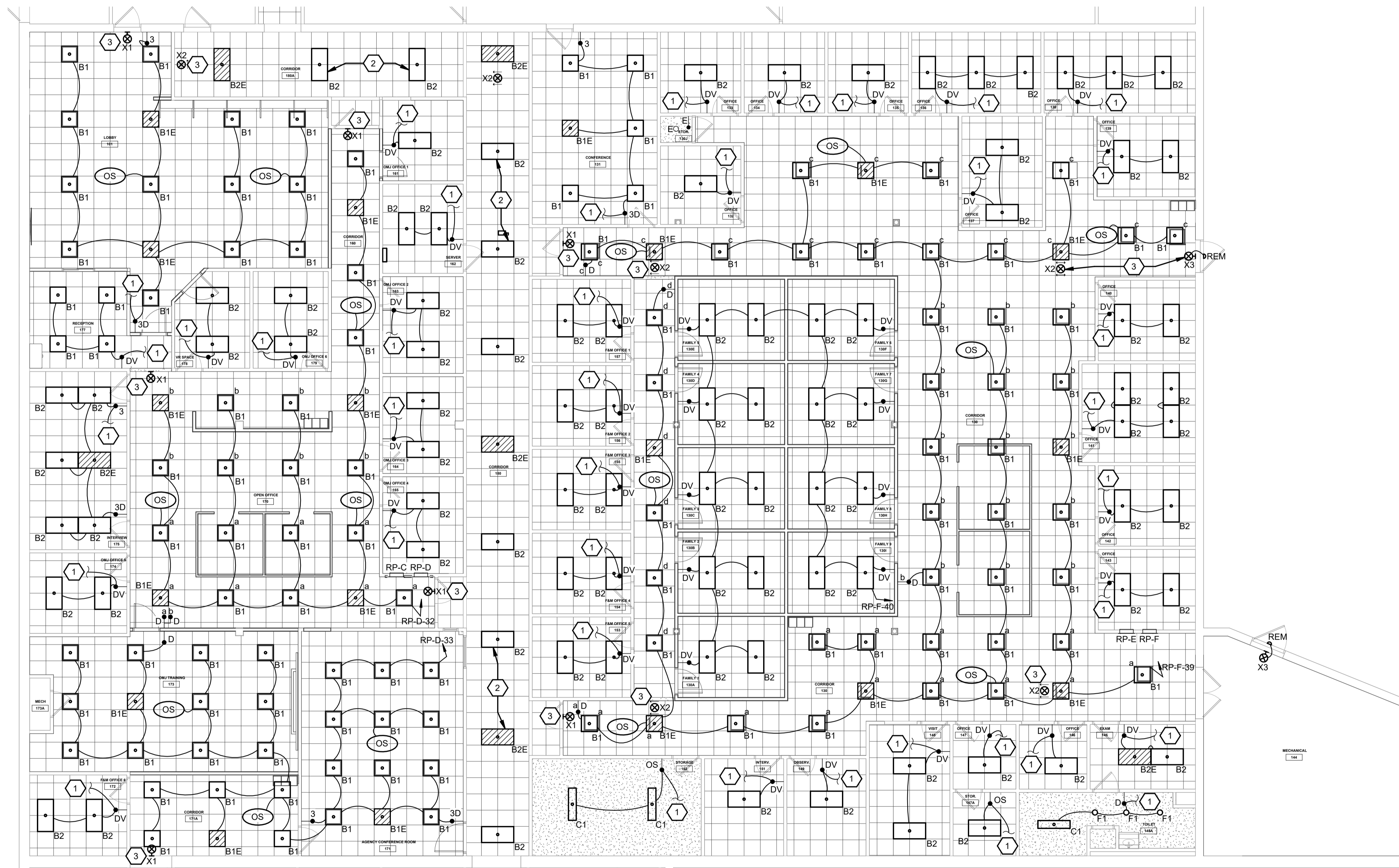
C

D

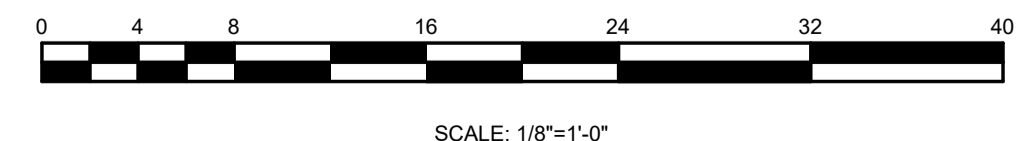
E

F

- CONSTRUCTION NOTES**
1. CONNECT NEW ROOM LIGHTING TO EXISTING ROOM LIGHTING CIRCUIT. PROVIDE NEW LOW VOLTAGE DIMMING CONTROL/CIRCUITRY IN ROOM.
 2. REPLACE EXISTING CORRIDOR LIGHTING WITH NEW. SAME LOCATION. RETAIN EXISTING CIRCUITRY AND CONTROLS.
 3. REPLACE EXISTING EXIT SIGNAGE WITH NEW. RETAIN EXISTING CIRCUITRY.

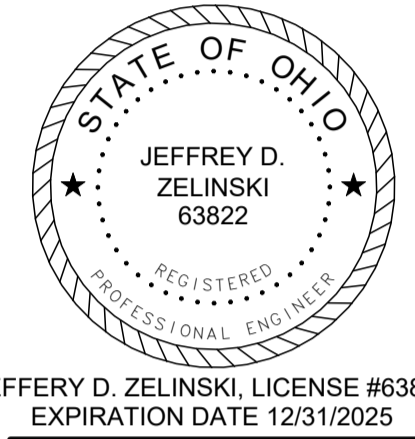


FIRST FLOOR NEW AND EXISTING CEILING PLAN
 SCALE: 1/8" = 1'-0"



NAUMAN & ZELINSKI LLC.
 204 S. Ludlow Street, Suite 400 Dayton, Ohio 45402
 Phone: (937) 293-3821

APP Architecture
 creative focused design
 615 Woodside Drive, Englewood, Ohio 45322
 T 937.836.8898 F 937.832.3696
 www.app-arch.com



DARKE COUNTY
WAGNER AVENUE
INTERIOR RENOVATION
 631 WAGNER AVENUE, GREENVILLE, OHIO 45331

NO.	DATE	DESCRIPTION
03/27/25	FOR PERMIT & BID	

DATE	03/24/25
JOB NO.	3961.05
DRAWN	AP
CHECKED	TR
COPYRIGHT © 2025 - App Architecture, Inc.	
TITLE	NEW LIGHTING PLAN

SHEET NO.
E2.1

3/27/2025 12:41:39 PM

CONSTRUCTION NOTES

1. RELOCATED HORN SIGNALING LIGHT FROM EXISTING DEVICES. REFER TO SHEET E1.1.
2. PROVIDE DATA BOX ABOVE CEILING FOR OVERHEAD PROJECTOR. RUN TWO CAT6 DATA FROM PROJECTOR TO ROOM COMPUTER STATION DATA BOX.
3. ROOM COMPUTER STATION - AV INTERFACE BOX. PROVIDE ONE DATA DROP FROM SERVER ROOM AND TWO DATA TO OVERHEAD PROJECTOR BOX. (SEE NOTE 2).
4. DATA DROPS ROUTED THROUGH TWO COMPARTMENT POWER/DATA POLE. POWER POLES REUSED FROM DEMO. COORDINATE TERMINATIONS IN PARTITION SYSTEM WITH OWNER.
5. RELOCATED CEILING MOUNTED WIRELESS ACCESS POINT FROM EXISTING DEVICES (OWNER PROVIDED AND INSTALLED). REFER TO SHEET E1.1.
6. ROUTE DATA CONDUIT DOWN COLUMN TO DATA BOX IN PARTIAL HEIGHT WALL.

TECHNOLOGY NOTES

VOICE/DATA/VIDEO CABLING & TERMINATIONS

1. WALL OR WORKSTATION JACK.
-TERMINATE IN TWO GANG BOX, RJ-45 JACK
-18" OR 48" MH IN FIXED WALLS EXCEPT WHERE NOTED OTHERWISE.
-WALL OR BASE COVERPLATES TO WHITE PLASTIC WITH CLEAR PLASTIC LABEL FIELDS INDICATING PANEL AND TERMINAL. (E.G. - "B3", PATCH PANEL B, TERMINAL3)
(MOUNT VERTICAL (WALL) WITH LABEL FIELD(S) ABOVE JACK, APPROPRIATELY ORIENTED).
2. DATA CABLE DEDICATED HOME RUN. ROUTE CABLE TO SERVER ROOM. TERMINATE AT EXISTING PATCH PANEL IN DATA RACK.
3. ALL CABLING TO BE CATEGORY/COLOR/JACK/CODED AS NOTED BELOW.
4. SUBMIT IDENTIFICATION NUMBERING SYSTEM FOR REVIEW WITH OWNER PRIOR TO INSTALLATION.

TECHNOLOGY NOTES

- A. THE E.C. SHALL PROVIDE DATA SYSTEM CABLING AND TERMINATIONS FROM POINT OF USE (WALL JACKS AND WIRELESS ACCESS POINTS) TO OWNER'S DATA RACK IN SERVER ROOM. WIRELESS ACCESS POINTS AND RACK EQUIPMENT FURNISHED BY OWNER.
- B. THE E.C. SHALL FURNISH AND INSTALL ALL FIRE ALARM SYSTEMS DEVICES, CABLING, ETC. FOR A COMPLETE SYSTEM. THE E.C. SHALL ENLIST THE SERVICES OF THE BUILDING'S EXISTING FIRE ALARM SYSTEM VENDOR TO PROVIDE PERMIT AND INSTALLATION DRAWINGS AND OBTAIN APPROVED FIRE ALARM PERMIT AND AHJ ACCEPTANCE UPON COMPLETION.
- C. THE E.C. SHALL WHEREVER FEASIBLE, UTILIZE EXISTING FIRE ALARM DEVICES FOR RE-USE IN RENOVATED SPACES.



- 2D DATA JACK (COUNTY NETWORK) CAT 5E. BLUE JACKET CABLE, PLENUM RATED, AVAYA MPS100E (OR EQUAL) RJ45 JACK (WHITE WITH WHITE COVERPLATE) ACCEPTABLE MANUFACTURER TO BE VERIFIED WITH OWNER PRIOR TO RELEASE. 18" M.H. (UNLESS NOTED OTHERWISE) IN 4" SQUARE BOX WITH SINGLE-GANG TRIM RING AND 1" CONDUIT TO CABLE MANAGEMENT ABOVE CORRIDOR CEILING. "4D" INDICATES # OF DATA DROPS/JACKS REQUIRED.
- AP WIRELESS ACCESS POINT DATA JACKS (COUNTY NETWORK) CAT 5E, ORANGE JACKET CABLES, PLENUM RATED, RJ45 MALE JACK. COIL AND SUSPEND SPARE CABLE LENGTH (MINIMUM 10') AT LOCATIONS INDICATED ON PLAN. BUNDLE COILED CABLE WITH VELCRO STRAPS.
- C1 SURVEILLANCE CAMERA SYSTEM CAT 5E, YELLOW JACKET CABLE, PLENUM RATED, RJ45 MALE JACK. COIL AND SUSPEND SPARE CABLE LENGTH (MINIMUM 10') AT LOCATIONS INDICATED ON PLAN. BUNDLE COILED CABLE WITH VELCRO STRAPS.

FIRST FLOOR NEW AND EXISTING SYSTEMS PLAN
SCALE: 1/8" = 1'-0"



NAUMAN & ZELINSKI LLC.
204 S. Ludlow Street Suite 400 Dayton, Ohio 45402
Phone: 937.293.3821

APP Architecture
creative focused design
615 Woodside Drive, Englewood, Ohio 45322
T 937.836.8898 F 937.832.3696
www.app-arch.com



DARKE COUNTY
WAGNER AVENUE
INTERIOR RENOVATION
631 WAGNER AVENUE, GREENVILLE, OHIO 45331

NO.	DATE	DESCRIPTION
03/27/25	FOR PERMIT & BID	

DATE	03/24/25
JOB NO.	3961.05
DRAWN	AP
CHECKED	TR

COPYRIGHT © 2025 - App Architecture, Inc.
TITLE
NEW SYSTEMS PLAN

SHEET NO.
E4.1